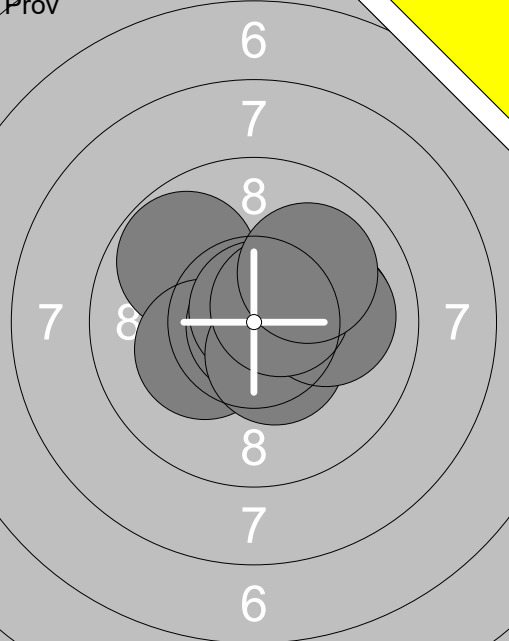
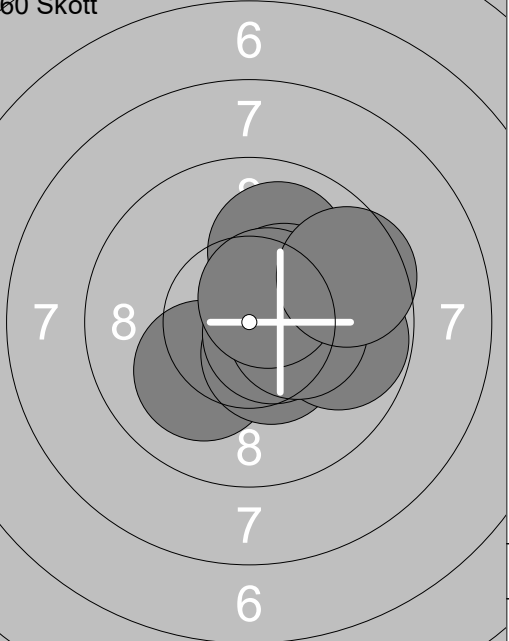
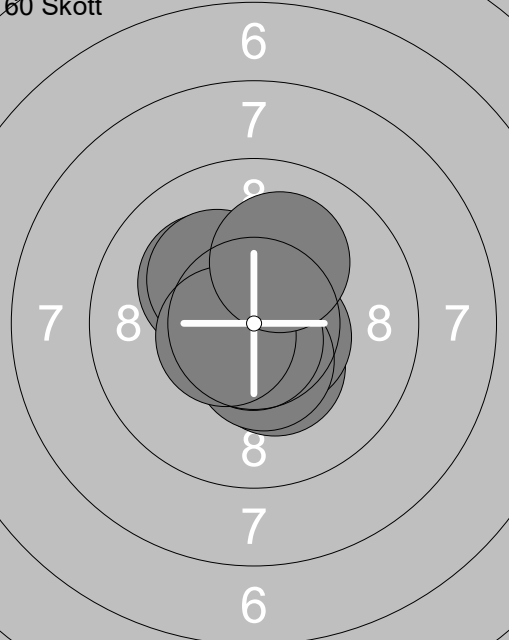
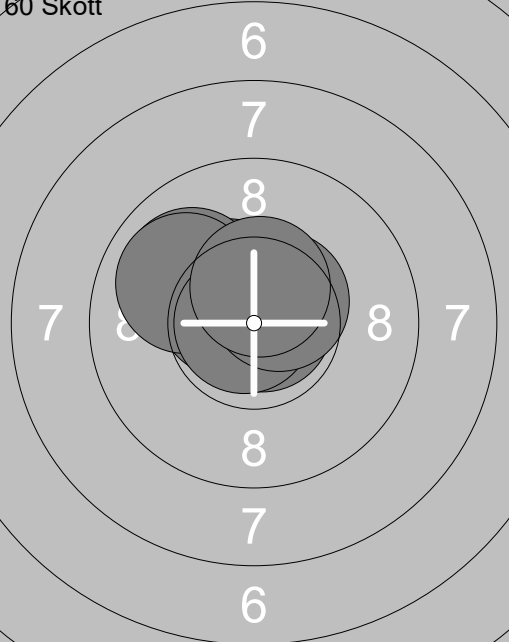
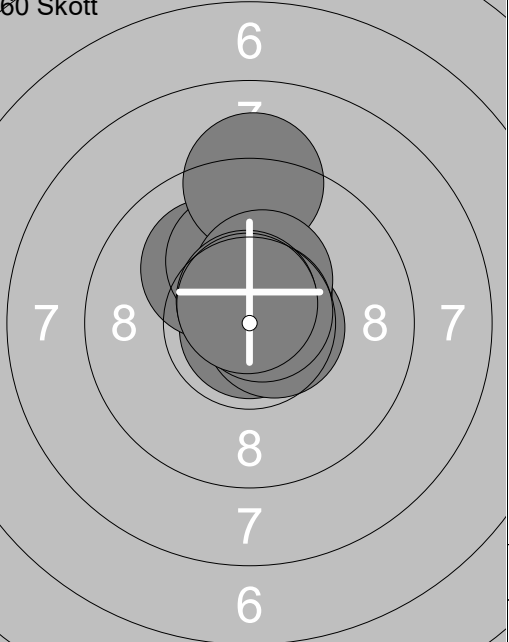


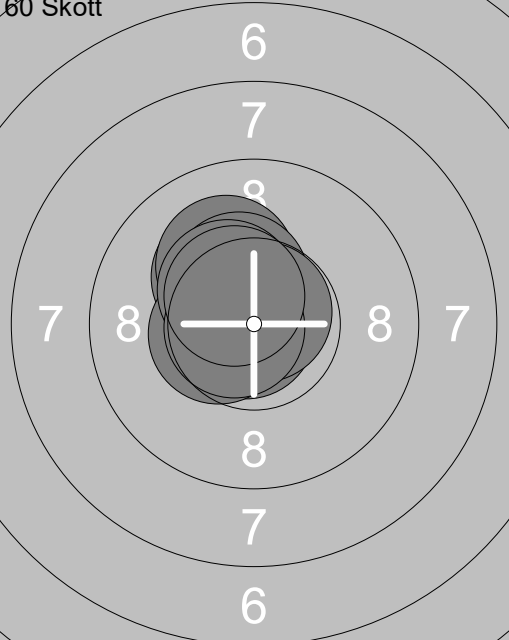
<p>Prov</p> 	<p>1: 10.8x ↘</p> <p>2: 10.1 →</p> <p>3: 9.8 ↖</p> <p>4: 10.2x ↙</p> <p>5: 10.9x ↘</p> <p>6: 10.8x ↗</p> <p>7: 10.5x ↘</p> <p>8: 10.0 →</p> <p>9: 10.6x ↗</p> <p>10: 10.0 ↗</p>	<p>60 Skott</p> 		<p>1: 10.1 ↙</p> <p>2: 10.5x ↘</p> <p>3: 10.6x ↘</p> <p>4: 10.0 ↗</p> <p>5: 10.6x ↗</p> <p>6: 10.4x ↗</p> <p>7: 9.8 →</p> <p>8: 10.3x ></p> <p>9: 10.6x ↗</p> <p>10: 9.6 →</p>	
Serie 99.0				Serie 98.0	
Total 0.0				Total 98.0	

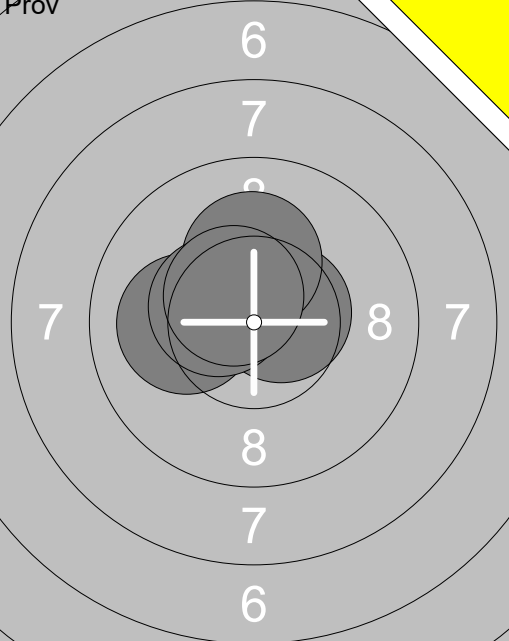
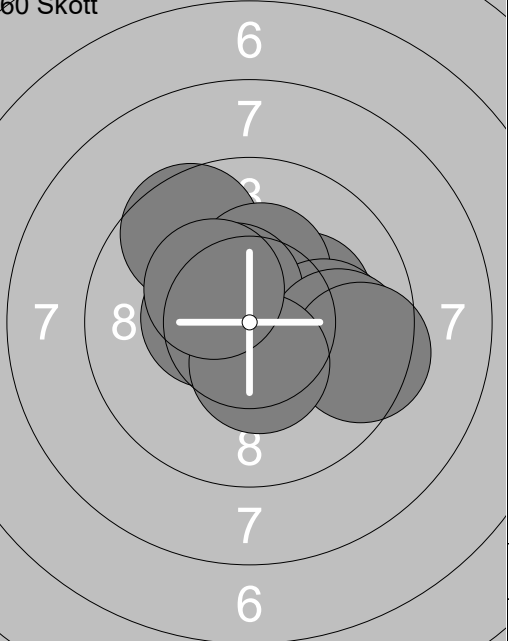
<p>60 Skott</p> 	<p>11: 10.7x ↘</p> <p>12: 10.6x ↘</p> <p>13: 9.9 ↓</p> <p>14: 10.6x ↘</p> <p>15: 9.7 ←</p> <p>16: 10.7x ↘</p> <p>17: 10.2x ↘</p> <p>18: 9.0 ←</p> <p>19: 10.3x ↘</p> <p>20: 10.6x ↘</p>	<p>60 Skott</p> 		<p>21: 10.8x ↘</p> <p>22: 9.8 ↗</p> <p>23: 10.4x ></p> <p>24: 10.2x ↘</p> <p>25: 10.3x ↘</p> <p>26: 10.3x ↘</p> <p>27: 10.3x ></p> <p>28: 10.6x ↗</p> <p>29: 10.3x ↘</p> <p>30: 10.5x ↘</p>	
Serie 97.0				Serie 99.0	
Total 195.0				Total 294.0	

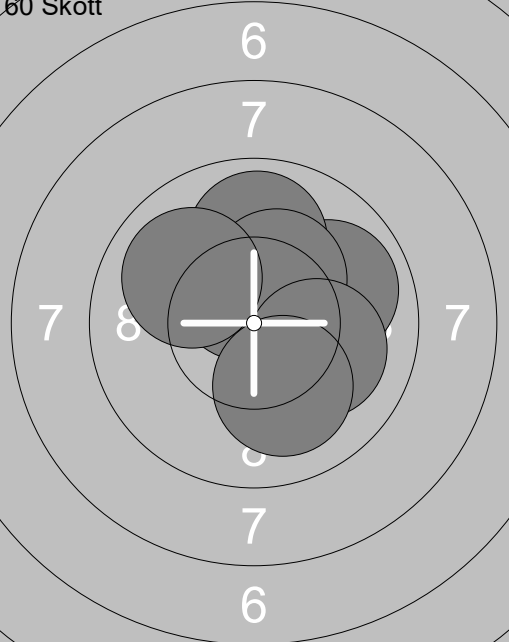
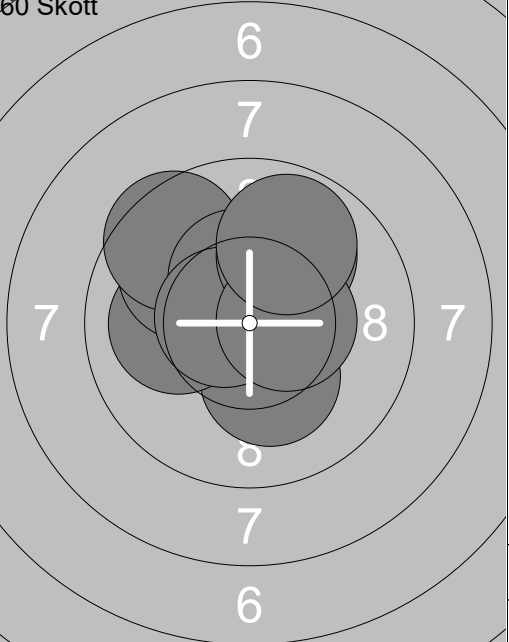
<p>60 Skott</p> 	<p>31: 10.3x ↘</p> <p>32: 10.6x ↗</p> <p>33: 10.6x ></p> <p>34: 10.2x ↘</p> <p>35: 10.4x ↗</p> <p>36: 10.5x ↘</p> <p>37: 10.7x ↘</p> <p>38: 10.2x ↘</p> <p>39: 10.6x ↘</p> <p>40: 10.1 ↗</p>			
Serie 100.0				
Total 394.0				

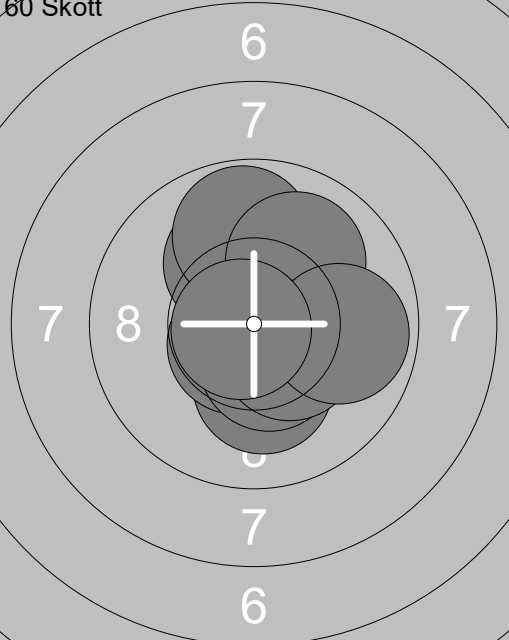
Prov 	1: 10.5x ↘ 2: 10.3x ↘ 3: 10.8x ↗ 4: 10.8x ↘ 5: 10.7x ↘ 6: 10.4x ↘ 7: 10.9x ↘	60 Skott 	1: 10.6x ↗ 2: 10.7x ↘ 3: 10.4x ↘ 4: 10.8x ↘ 5: 7.6 ↓ 6: 10.8x ↘ 7: 10.2x ↘ 8: 10.5x ↘ 9: 10.5x ↘ 10: 10.7x ↘
Serie 70.0		Serie 97.0	
Total 0.0		Total 97.0	

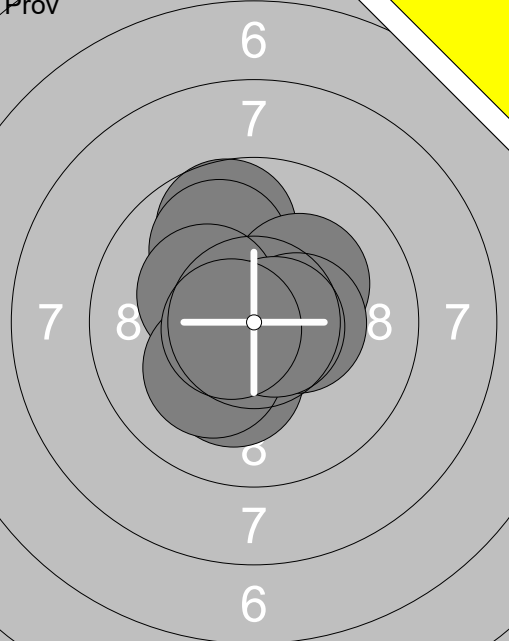
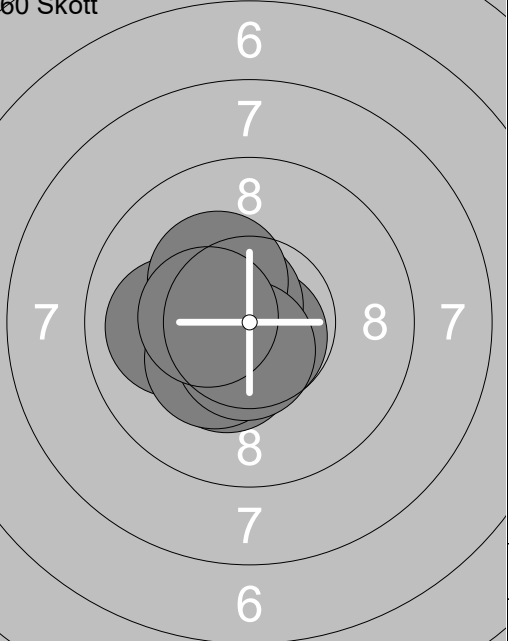
60 Skott 	11: 10.8x ↗ 12: 10.6x ↘ 13: 10.7x ↗ 14: 10.4x ↘ 15: 10.0 ↘ 16: 9.9 ↘ 17: 10.8x ➤ 18: 10.8x ↘ 19: 10.5x ↗ 20: 10.5x ↗	60 Skott 	21: 10.9x ↘ 22: 10.1 ↘ 23: 10.6x ➤ 24: 10.5x ↗ 25: 10.1 ↗ 26: 9.2 ↗ 27: 10.4x ↗ 28: 10.7x ↗ 29: 10.7x ↗ 30: 10.7x ↗
Serie 99.0		Serie 99.0	
Total 196.0		Total 295.0	

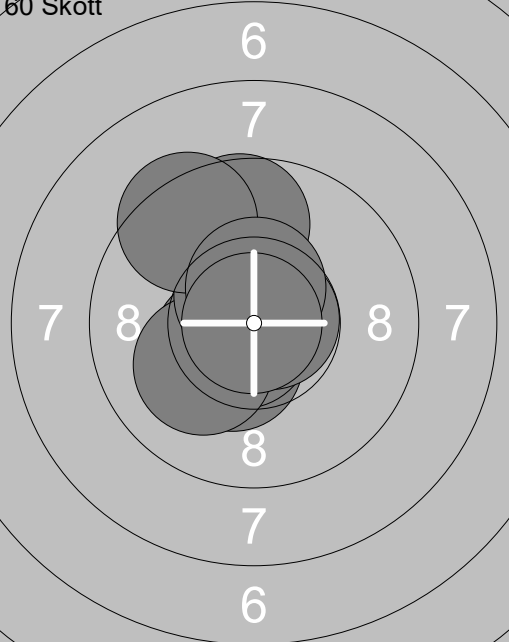
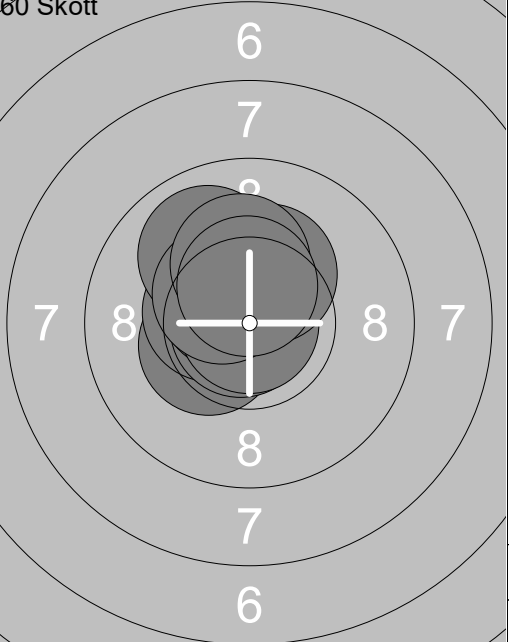
60 Skott 	31: 10.2x ↘ 32: 10.1 ↗ 33: 10.6x ↘ 34: 10.8x ↘ 35: 10.5x ↘ 36: 10.4x ↗ 37: 10.8x ↗ 38: 10.4x ↘ 39: 10.7x ↘ 40: 10.5x ↘		
Serie 100.0			
Total 395.0			

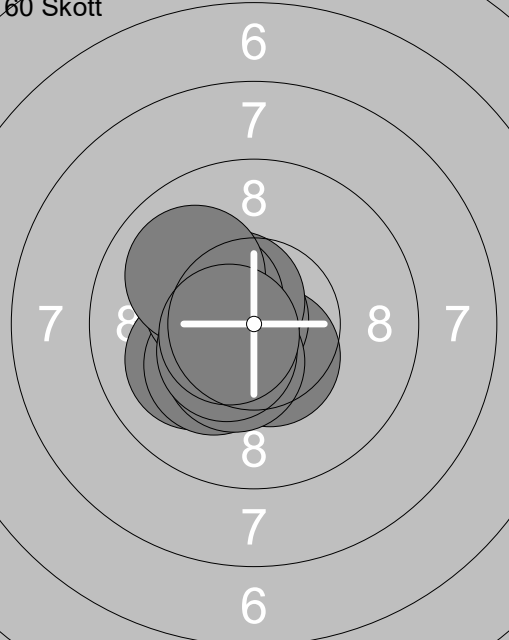
Prov 	1: 10.6x➤ 2: 10.2x↑ 3: 10.1← 4: 10.5x↘ 5: 10.5x↘	60 Skott 		1: 9.6 ↖ 2: 10.2x➤ 3: 10.3x↑ 4: 10.0➔ 5: 10.5x↘ 6: 10.5x↘ 7: 9.8 ➔ 8: 9.5 ➔ 9: 10.4x↓ 10: 10.3x↘
Serie 50.0		Serie 97.0		
Total 0.0		Total 97.0		

60 Skott 	11: 10.6x↑ 12: 10.2x↘ 13: 10.7x↗ 14: 9.9 ➔ 15: 10.5x↑ 16: 9.9 ↑ 17: 10.3x↑ 18: 10.1 ➔ 19: 10.0↖ 20: 10.1 ↓	60 Skott 		21: 10.2x↓ 22: 10.0← 23: 9.9 ↖ 24: 10.5x↘ 25: 9.5 ↖ 26: 10.4x↘ 27: 10.6x↘ 28: 10.0 ↗ 29: 10.5x➤ 30: 9.8 ↑
Serie 98.0		Serie 97.0		
Total 195.0		Total 292.0		

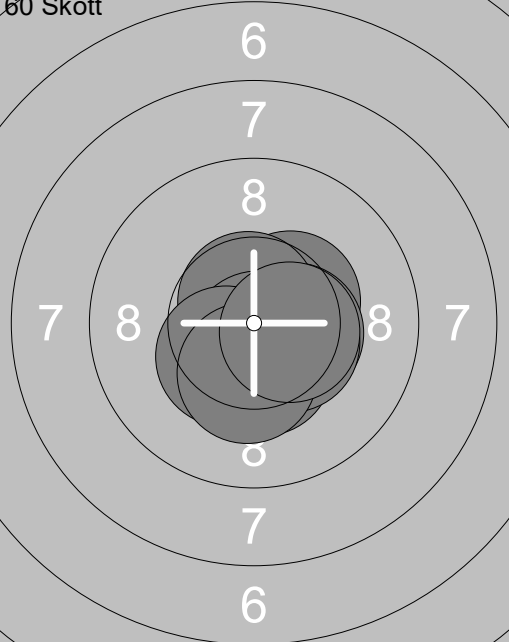
60 Skott 	31: 10.1 ↑ 32: 9.8 ↑ 33: 10.2x↓ 34: 10.6x↘ 35: 10.8x↘ 36: 10.0 ↗ 37: 10.4x↓ 38: 10.4x↘ 39: 9.9 ➔ 40: 10.8x↘	
Serie 98.0		
Total 390.0		

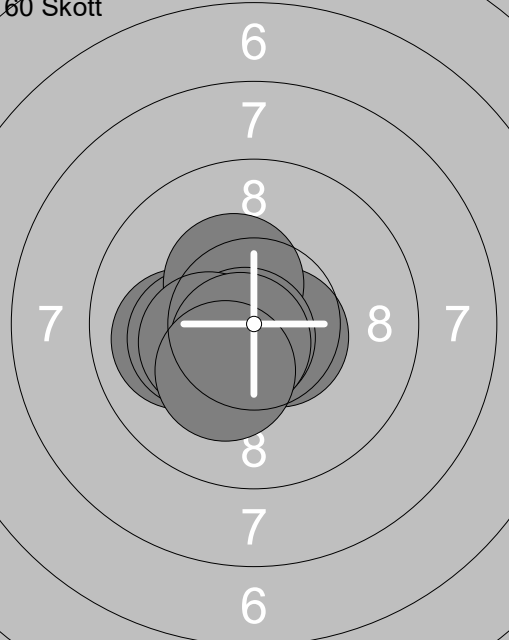
Prov 	1: 9.7 ↗ 2: 9.9 ↗ 3: 10.4 ✗ 4: 10.2 ✗ ↗ 5: 10.3 ✗ 6: 10.2 ✗ 7: 10.2 ✗ 8: 10.4 ✗ → 9: 10.7 ✗ → 10: 10.6 ✗	60 Skott 	1: 10.7 ✗ ↘ 2: 10.4 ✗ ↘ 3: 10.6 ✗ ↘ 4: 10.3 ✗ ↘ 5: 10.0 ← 6: 10.7 ✗ ↘ 7: 10.3 ✗ ↘ 8: 10.3 ✗ ↘ 9: 10.6 ✗ ↘ 10: 10.4 ✗
Serie	98.0	Serie	100.0
Total	0.0	Total	100.0

60 Skott 	11: 10.4 ✗ 12: 9.7 ↗ 13: 10.5 ✗ 14: 10.7 ✗ 15: 10.1 ↙ 16: 10.7 ✗ → 17: 10.6 ✗ ↗ 18: 9.4 ↗ 19: 10.5 ✗ ↗ 20: 10.9 ✗	60 Skott 	21: 10.4 ✗ 22: 10.5 ✗ 23: 10.8 ✗ 24: 10.6 ✗ ↘ 25: 10.9 ✗ 26: 9.9 ↗ 27: 10.3 ✗ ↗ 28: 10.4 ✗ 29: 10.2 ✗ ↗ 30: 10.5 ✗ ↗
Serie	98.0	Serie	99.0
Total	198.0	Total	297.0

60 Skott 	31: 10.5 ✗ 32: 10.1 ↙ 33: 10.2 ✗ 34: 10.7 ✗ 35: 10.6 ✗ 36: 10.3 ✗ 37: 10.0 ↗ 38: 10.4 ✗ 39: 10.5 ✗ 40: 10.6 ✗	
Serie	100.0	
Total	397.0	

<p>Prov</p> 	<p>1: 9.1 ➔</p> <p>2: 10.0 ➔</p> <p>3: 10.7x ↘</p> <p>4: 10.9x ↘</p>	<p>60 Skott</p> 	<p>1: 10.7x ↘</p> <p>2: 10.8x ↘</p> <p>3: 10.7x ↘</p> <p>4: 10.3x ↘</p> <p>5: 10.6x ↗</p> <p>6: 10.0 ←</p> <p>7: 10.5x ↘</p> <p>8: 10.9x ↘</p> <p>9: 10.8x ↘</p> <p>10: 10.7x ↘</p>
Serie	39.0	Serie	100.0
Total	0.0	Total	100.0

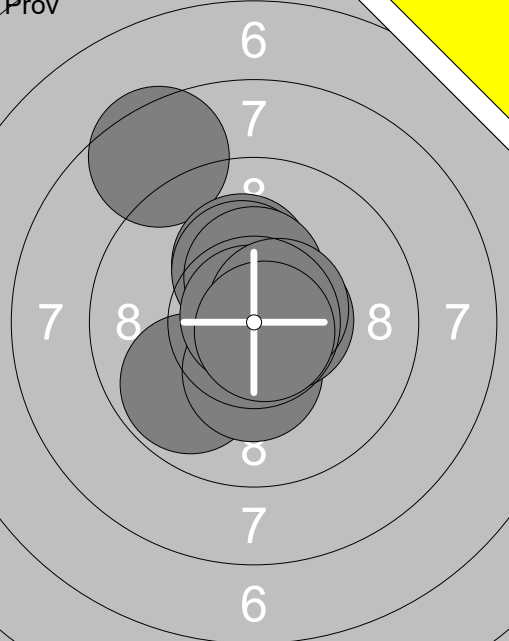
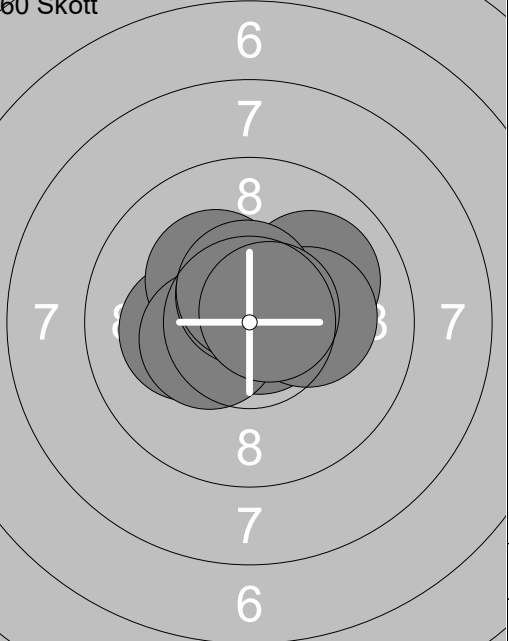
<p>60 Skott</p> 	<p>11: 10.4x ↗</p> <p>12: 10.4x ↘</p> <p>13: 10.4x ➔</p> <p>14: 10.7x ↘</p> <p>15: 10.7x ↗</p> <p>16: 10.4x ➔</p> <p>17: 10.7x ↘</p> <p>18: 10.4x ↘</p> <p>19: 10.3x ↘</p> <p>20: 10.5x ➔</p>	<p>60 Skott</p> 	<p>21: 10.4x ↘</p> <p>22: 10.4x ↘</p> <p>23: 10.6x ↘</p> <p>24: 10.8x ↘</p> <p>25: 10.6x ↘</p> <p>26: 10.4x ↘</p> <p>27: 10.6x ➔</p> <p>28: 10.5x ↘</p> <p>29: 10.7x ➔</p> <p>30: 10.8x ➔</p>
Serie	100.0	Serie	100.0
Total	200.0	Total	300.0

<p>60 Skott</p> 	<p>31: 10.6x ➔</p> <p>32: 10.4x ↘</p> <p>33: 10.7x ↘</p> <p>34: 10.0 ←</p> <p>35: 10.2x ↘</p> <p>36: 10.4x ↘</p> <p>37: 10.7x ↘</p> <p>38: 10.3x ↘</p> <p>39: 10.7x ↘</p> <p>40: 10.3x ↘</p>		
Serie	100.0		
Total	400.0		

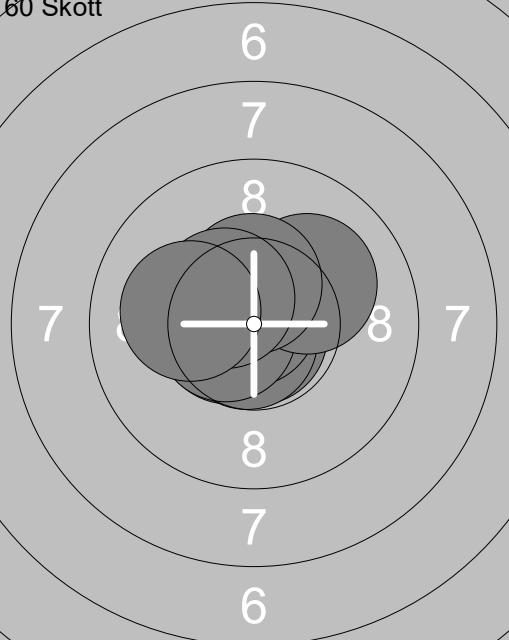
<p>Prov</p>	<p>1: 8.7 ↗</p> <p>2: 9.4 ↗</p> <p>3: 10.2x↘</p> <p>4: 9.2 →</p> <p>5: 10.7x↑</p> <p>6: 10.3x→</p> <p>7: 10.8x↑</p> <p>8: 10.4x→</p> <p>9: 10.4x↘</p> <p>10: 10.8x↑</p>	<p>60 Skott</p>		<p>1: 9.9 ↓</p> <p>2: 10.4x↑</p> <p>3: 9.9 ↘</p> <p>4: 10.0 ↓</p> <p>5: 10.1←</p> <p>6: 10.2x→</p> <p>7: 10.5x↘</p> <p>8: 10.3x→</p> <p>9: 10.5x↓</p> <p>10: 9.7 →</p>
Serie 96.0				Serie 97.0
Total 0.0				Total 97.0

<p>60 Skott</p>	<p>11: 10.6x↑</p> <p>12: 10.2x↗</p> <p>13: 10.8x↓</p> <p>14: 10.6x↘</p> <p>15: 10.0 →</p> <p>16: 9.9 →</p> <p>17: 10.2x↑</p> <p>18: 10.6x↓</p> <p>19: 10.4x↘</p> <p>20: 10.4x↘</p>	<p>60 Skott</p>		<p>21: 9.9 ↘</p> <p>22: 10.6x→</p> <p>23: 10.2x↘</p> <p>24: 10.4x↓</p> <p>25: 10.2x→</p> <p>26: 10.0 ↑</p> <p>27: 10.6x→</p> <p>28: 10.5x↑</p> <p>29: 10.6x↘</p> <p>30: 10.1 →</p>
Serie 99.0				Serie 99.0
Total 196.0				Total 295.0

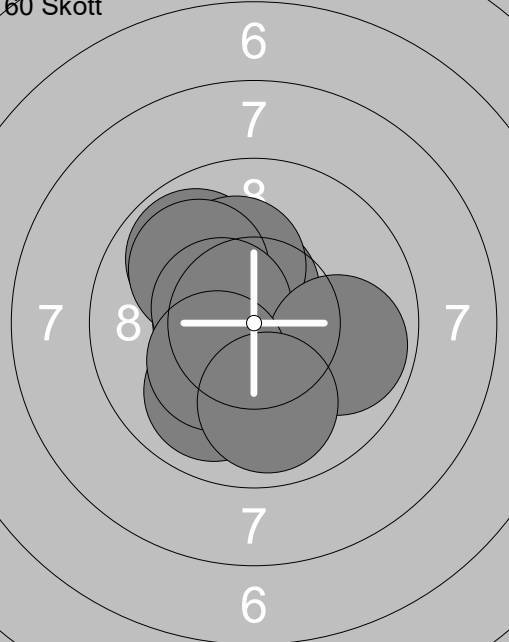
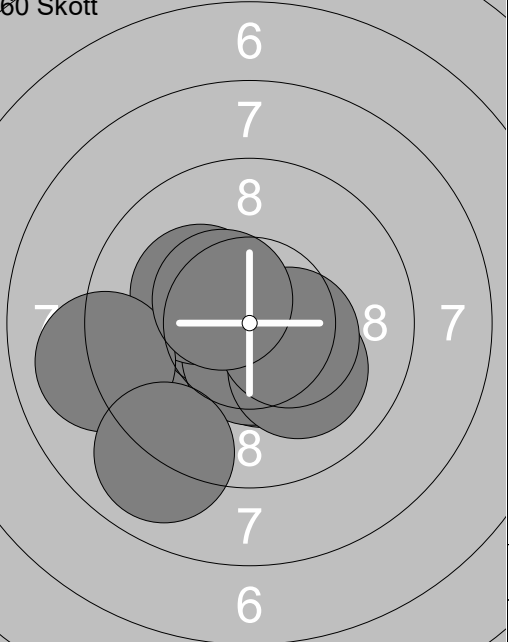
<p>60 Skott</p>	<p>31: 10.3x↘</p> <p>32: 10.3x↗</p> <p>33: 10.3x→</p> <p>34: 10.4x←</p> <p>35: 10.0 →</p> <p>36: 10.1 →</p> <p>37: 10.4x↑</p> <p>38: 10.8x↘</p> <p>39: 10.5x↑</p> <p>40: 9.9 ←</p>			
Serie 99.0				
Total 394.0				

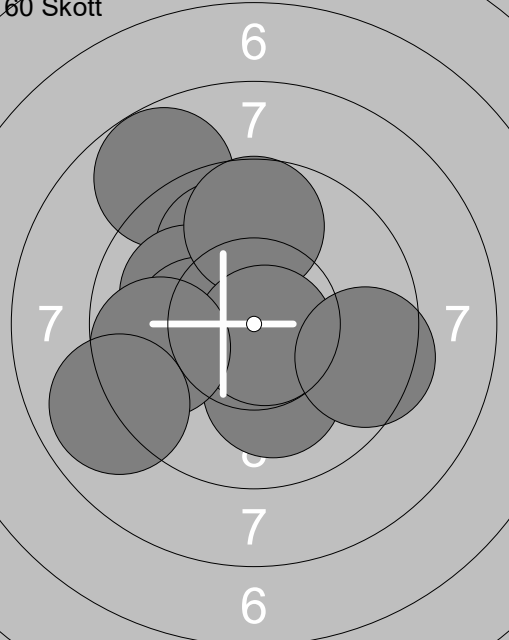
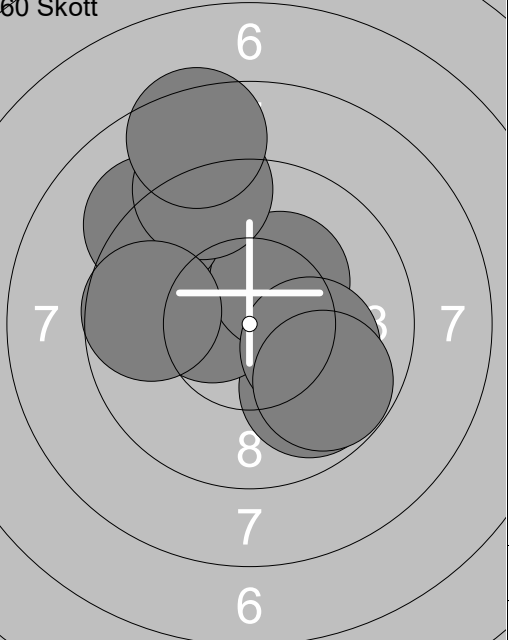
<p>Prov</p> 	<p>1: 8.5 ↖</p> <p>2: 10.2x ↗</p> <p>3: 10.3x ↗</p> <p>4: 10.4x ↗</p> <p>5: 9.8 ↙</p> <p>6: 10.3x ↓</p> <p>7: 10.6x →</p> <p>8: 10.9x ↗</p> <p>9: 10.6x ↗</p> <p>10: 10.8x ↘</p>	<p>60 Skott</p> 	<p>1: 10.2x ↖</p> <p>2: 10.7x ↗</p> <p>3: 10.8x →</p> <p>4: 10.3x ↘</p> <p>5: 10.4x ↖</p> <p>6: 10.0 ↗</p> <p>7: 10.6x ↗</p> <p>8: 10.2x →</p> <p>9: 10.5x ↗</p> <p>10: 10.7x ↗</p>
Serie 97.0		Serie 100.0	
Total 0.0		Total 100.0	

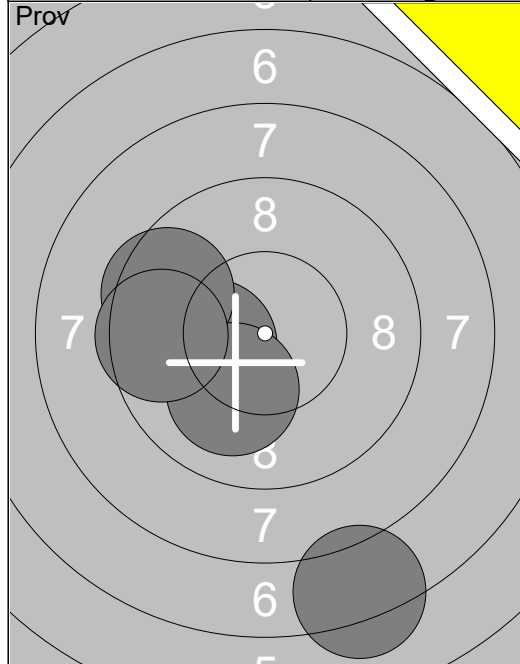
<p>60 Skott</p> 	<p>11: 10.1 ↖</p> <p>12: 10.1 ↗</p> <p>13: 10.7x ↓</p> <p>14: 9.9 ↖</p> <p>15: 10.5x ↗</p> <p>16: 10.7x ↖</p> <p>17: 10.4x →</p> <p>18: 10.8x ↖</p> <p>19: 10.7x ↓</p> <p>20: 10.2x ↗</p>	<p>60 Skott</p> 	<p>21: 10.8x ↖</p> <p>22: 9.5 ↗</p> <p>23: 10.2x ↘</p> <p>24: 10.6x ↖</p> <p>25: 10.3x →</p> <p>26: 10.5x →</p> <p>27: 10.4x ↘</p> <p>28: 10.0 ↗</p> <p>29: 10.4x ↖</p> <p>30: 10.7x ↗</p>
Serie 99.0		Serie 99.0	
Total 199.0		Total 298.0	

<p>60 Skott</p> 	<p>31: 10.8x ↓</p> <p>32: 10.6x ↖</p> <p>33: 10.8x ↗</p> <p>34: 10.7x ↘</p> <p>35: 10.8x ↖</p> <p>36: 10.6x ↖</p> <p>37: 10.1 ↗</p> <p>38: 10.4x ↗</p> <p>39: 10.5x ↖</p> <p>40: 10.1 ←</p>		
Serie 100.0			
Total 398.0			

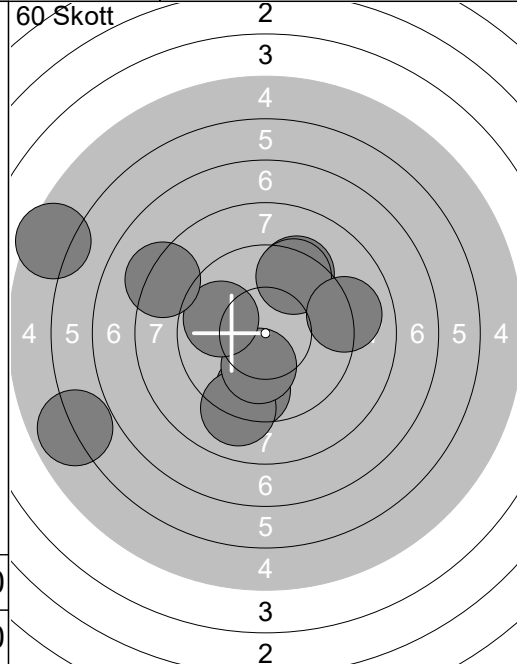
<p>Pröv</p> 	<p>1: 8.1 ↗ 2: 8.3 ↗ 3: 8.9 ↗ 4: 8.8 ↑ 5: 10.1 ↙ 6: 8.9 ↓ 7: 9.5 ↓ 8: 9.7 → 9: 9.9 → 10: 10.0 ↓</p> <p>Serie 87.0 Total 0.0</p>	<p>Pröv</p> 	<p>11: 10.5x➤</p> <p>Serie 10.0 Total 0.0</p>
----------------------------------------------------------------------------------------------	-------------------------------------------------------------------------------------------------------------------------------------------------------------------------	------------------------------------------------------------------------------------------------	---------------------------------------------------

<p>60 Skott</p> 	<p>1: 10.5x↑ 2: 10.5x← 3: 9.8 ↗ 4: 10.2x↗ 5: 10.0 ↖ 6: 10.5x↘ 7: 9.9 ↓ 8: 9.8 → 9: 10.3x↘ 10: 9.9 ↓</p> <p>Serie 96.0 Total 96.0</p>	<p>60 Skott</p> 	<p>11: 10.5x↘ 12: 10.5x↘ 13: 10.6x↘ 14: 10.5x↓ 15: 10.2x↘ 16: 9.0 ← 17: 10.1 ↓ 18: 10.4x➤ 19: 9.0 ↓ 20: 10.5x↘</p> <p>Serie 98.0 Total 194.0</p>
---------------------------------------------------------------------------------------------------	------------------------------------------------------------------------------------------------------------------------------------------------------------------------------	-----------------------------------------------------------------------------------------------------	------------------------------------------------------------------------------------------------------------------------------------------------------------------------------------------

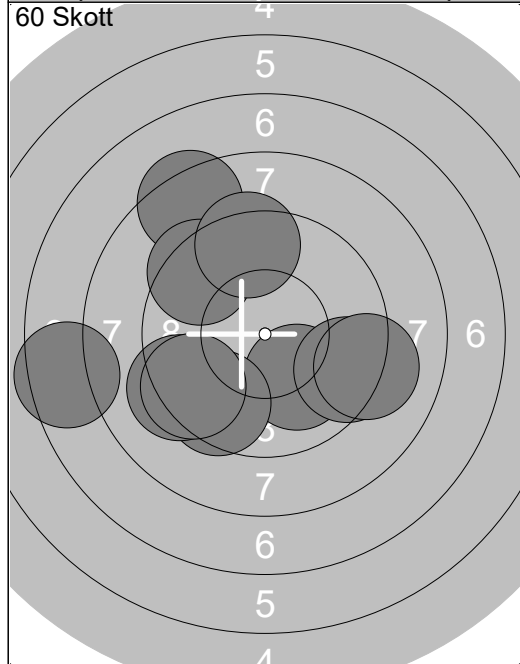
<p>60 Skott</p> 	<p>21: 8.8 ↖ 22: 9.9 ↑ 23: 10.1 ↖ 24: 10.3x← 25: 10.1 ↓ 26: 9.7 ↑ 27: 10.7x↘ 28: 9.7 ← 29: 9.0 ← 30: 9.5 →</p> <p>Serie 93.0 Total 287.0</p>	<p>60 Skott</p> 	<p>31: 9.8 ↓ 32: 10.4x↘ 33: 10.5x↘ 34: 10.3x↗ 35: 10.1 → 36: 9.2 ↗ 37: 9.1 ↑ 38: 9.8 ↓ 39: 9.7 ← 40: 8.5 ↑</p> <p>Serie 93.0 Total 380.0</p>
----------------------------------------------------------------------------------------------------	--------------------------------------------------------------------------------------------------------------------------------------------------------------------------------------	------------------------------------------------------------------------------------------------------	--------------------------------------------------------------------------------------------------------------------------------------------------------------------------------------



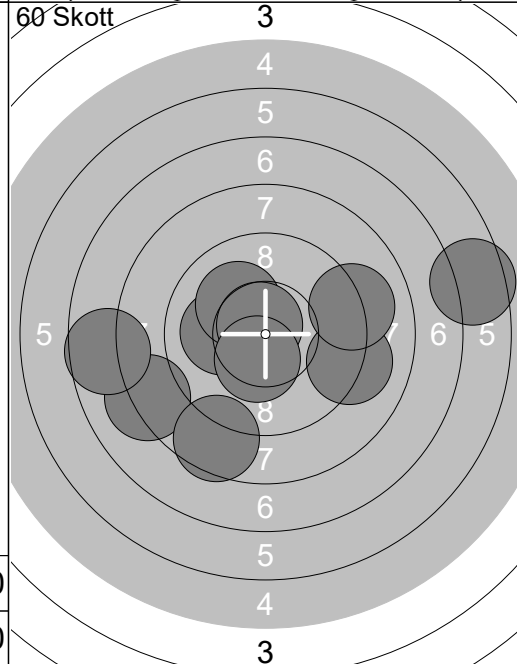
1:	7.2	↓
2:	10.2	✗
3:	10.1	↓
4:	9.5	↖
5:	9.5	←
Serie		45.0
Total		0.0



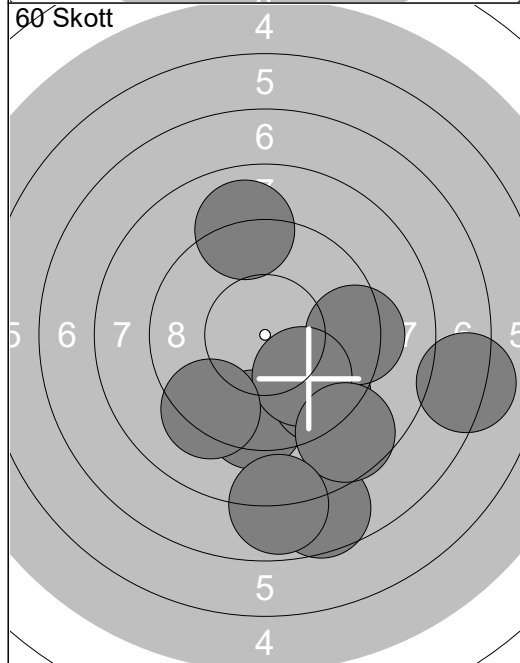
1:	9.6	↓
2:	9.1	↓
3:	5.9	↖
4:	10.2	✗
5:	9.8	↖
6:	9.4	↗
7:	5.4	↖
8:	9.4	↗
9:	8.2	↖
10:	9.0	→
Serie		82.0
Total		82.0



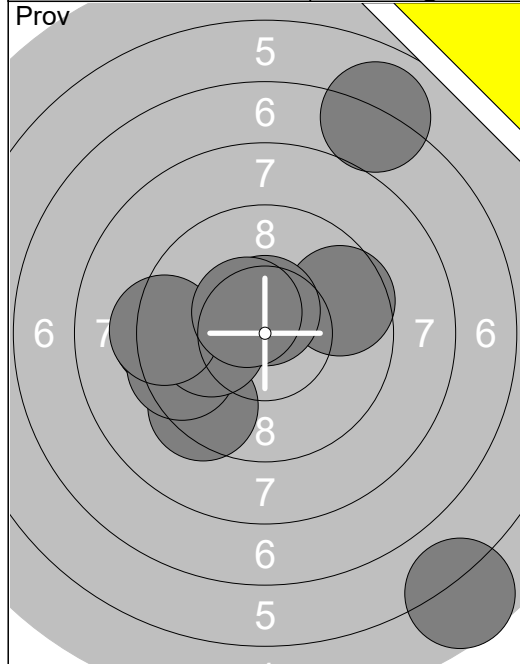
11:	7.5	←
12:	10.0	↓
13:	8.4	↗
14:	9.4	↗
15:	9.5	↓
16:	9.4	→
17:	9.1	→
18:	9.4	↑
19:	9.2	↖
20:	9.4	↖
Serie		88.0
Total		170.0



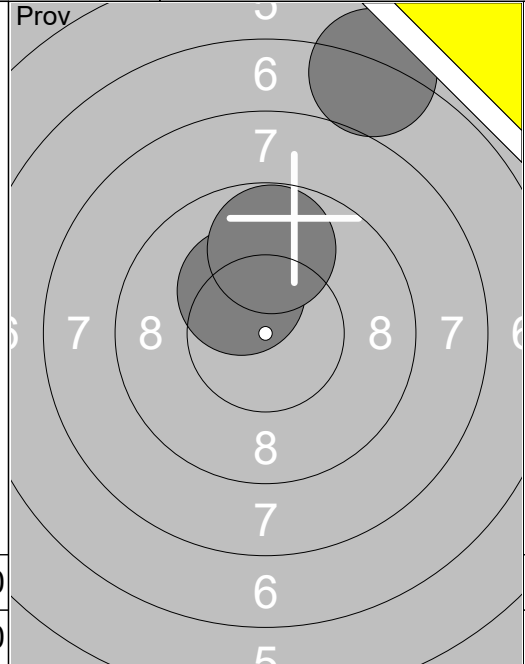
21:	8.2	↖
22:	10.1	←
23:	7.7	←
24:	8.6	↓
25:	6.5	→
26:	10.1	↖
27:	9.1	→
28:	9.1	→
29:	10.7	✗
30:	10.4	✗
Serie		87.0
Total		257.0



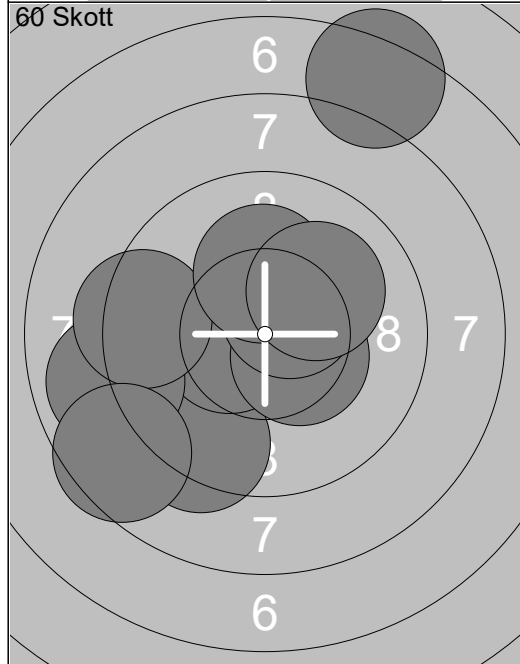
31:	9.4	↓
32:	9.5	↓
33:	9.0	↑
34:	9.3	→
35:	7.2	→
36:	9.9	↓
37:	7.6	↓
38:	9.3	↖
39:	8.7	↓
40:	7.9	↓
Serie		83.0
Total		340.0



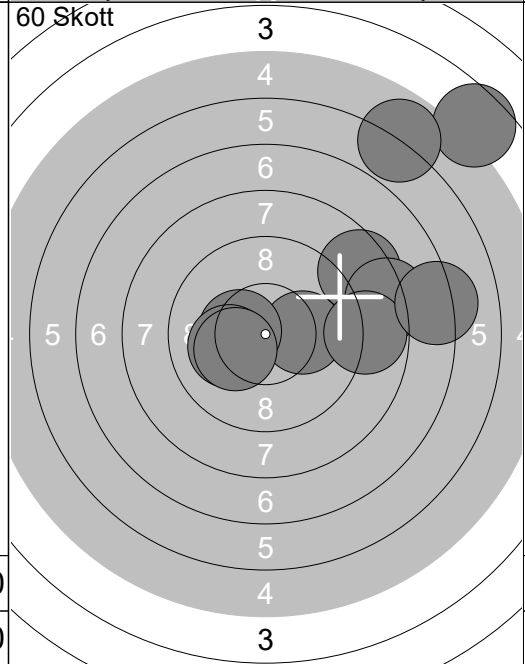
1:	5.6	↘
2:	9.6	→
3:	10.6	↗
4:	9.4	↘
5:	7.0	↗
6:	9.4	←
7:	9.5	←
8:	10.1	←
9:	9.3	←
10:	10.5	↘
Serie		87.0
Total		0.0



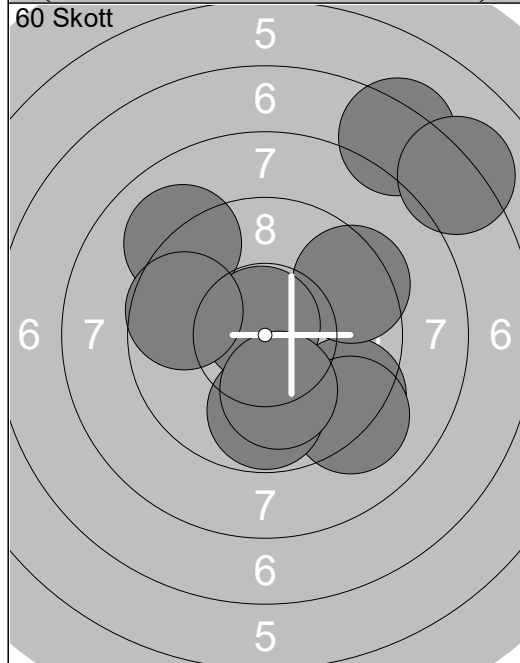
11:	10.3	↘
12:	7.0	↗
13:	9.8	↗
Serie		26.0
Total		0.0



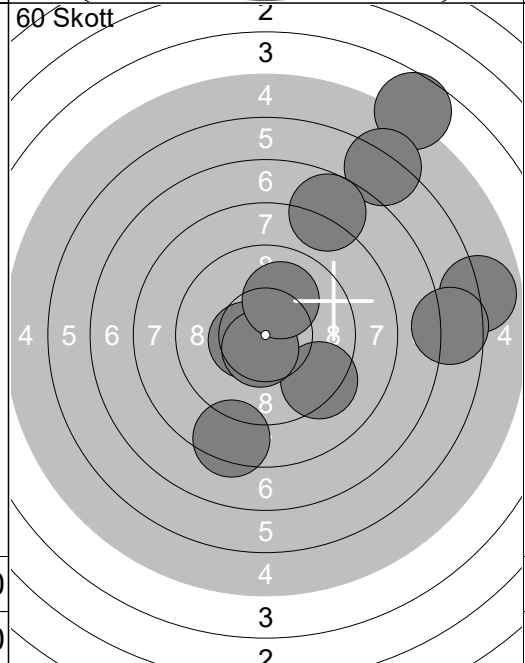
1:	9.3	↘
2:	10.5	↘
3:	8.9	←
4:	9.4	←
5:	8.6	↘
6:	10.4	↘
7:	7.4	↗
8:	10.5	↗
9:	10.2	↗
10:	10.1	↗
Serie		91.0
Total		91.0



11:	10.1	→
12:	10.4	↘
13:	10.1	←
14:	8.5	↗
15:	4.6	↗
16:	10.2	↘
17:	8.2	→
18:	8.8	→
19:	7.2	→
20:	5.9	↗
Serie		80.0
Total		171.0



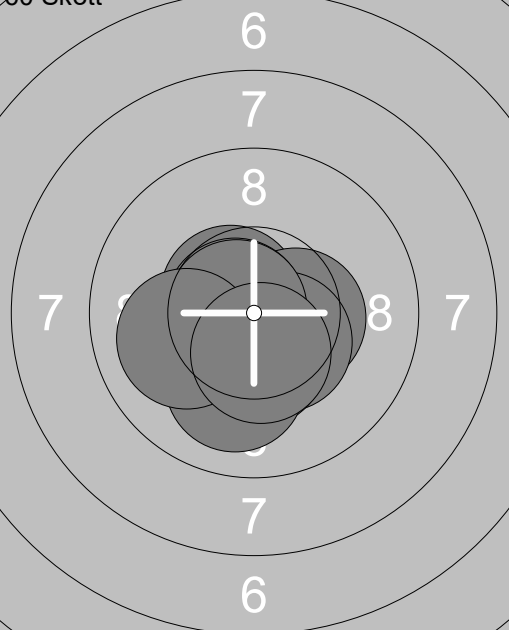
21:	9.4	↘
22:	9.2	↘
23:	9.1	↖
24:	9.4	↗
25:	7.3	↗
26:	10.8	↘
27:	7.1	↗
28:	9.8	↓
29:	10.1	↓
30:	9.7	←
Serie		88.0
Total		259.0

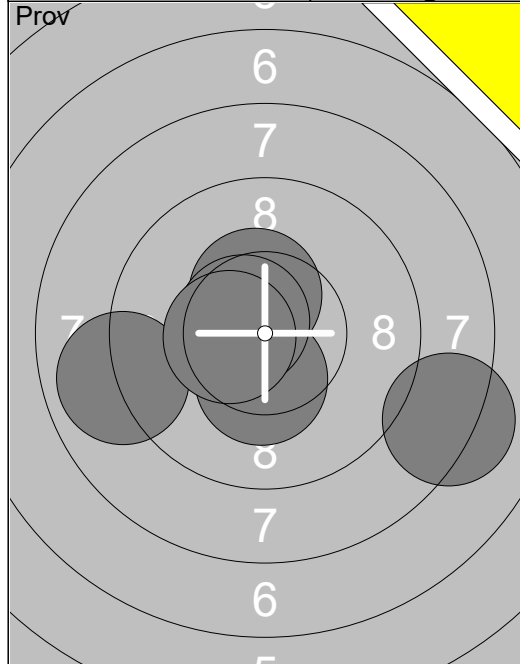


31:	10.5	↘
32:	9.3	↘
33:	8.4	↓
34:	10.6	↘
35:	4.7	↗
36:	5.9	→
37:	6.6	→
38:	10.1	↗
39:	6.2	↗
40:	7.7	↗
Serie		75.0
Total		334.0

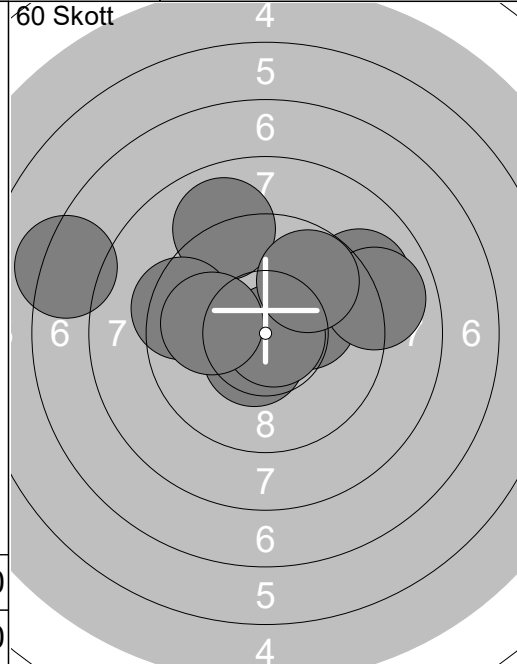
<p>Prov</p> 	<p>1: 10.4x↘ 2: 10.5x↘ 3: 10.8x↖ 4: 10.8x↓ 5: 9.9 ↓ 6: 10.9x→ 7: 9.5 ↓ 8: 10.7x↖ 9: 10.2x↘ 10: 10.0↙</p> <p>Serie 98.0 Total 0.0</p>	<p>60 Skott</p> 		<p>1: 10.8x↘ 2: 10.2x↘ 3: 10.3x↖ 4: 10.0 ↓ 5: 10.1 ↓ 6: 10.1 ↖ 7: 10.5x↘ 8: 10.7x↖ 9: 10.2x↖ 10: 10.5x↗</p> <p>Serie 100.0 Total 100.0</p>
----------------------------------------------------------------------------------------------	------------------------------------------------------------------------------------------------------------------------------------------------------------------------------	----------------------------------------------------------------------------------------------------	--	------------------------------------------------------------------------------------------------------------------------------------------------------------------------------------

<p>60 Skott</p> 	<p>11: 10.5x↗ 12: 10.9x→ 13: 10.5x↘ 14: 10.5x↘ 15: 9.8 → 16: 9.9 ↖ 17: 10.6x↖ 18: 10.7x↓ 19: 9.7 ↙ 20: 10.2x↘</p> <p>Serie 97.0 Total 197.0</p>	<p>60 Skott</p> 		<p>21: 10.6x↘ 22: 10.7x↘ 23: 10.1 ↓ 24: 10.4x↘ 25: 10.3x↓ 26: 10.3x↘ 27: 10.5x↘ 28: 10.9x→ 29: 10.6x↘ 30: 10.8x↗</p> <p>Serie 100.0 Total 297.0</p>
---------------------------------------------------------------------------------------------------	-----------------------------------------------------------------------------------------------------------------------------------------------------------------------------------------	-----------------------------------------------------------------------------------------------------	--	---------------------------------------------------------------------------------------------------------------------------------------------------------------------------------------------

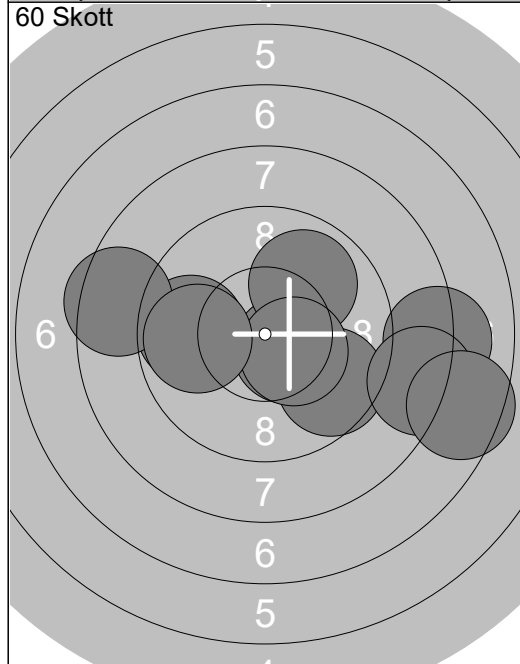
<p>60 Skott</p> 	<p>31: 10.6x↖ 32: 10.4x→ 33: 10.5x↘ 34: 10.7x↖ 35: 10.4x↘ 36: 10.4x↓ 37: 10.0 ↓ 38: 10.7x↖ 39: 10.0↙ 40: 10.4x↓</p> <p>Serie 100.0 Total 397.0</p>			
----------------------------------------------------------------------------------------------------	--------------------------------------------------------------------------------------------------------------------------------------------------------------------------------------------	--	--	--



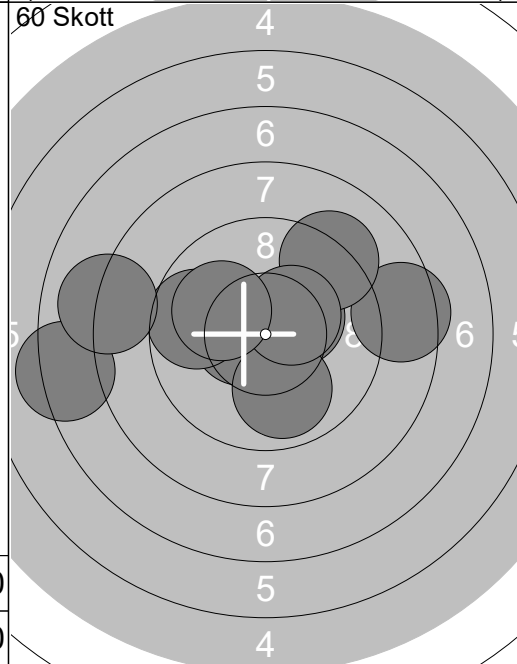
1:	8.9	←
2:	10.3x	↓
3:	10.4x	↗
4:	10.6x	↘
5:	8.2	→
6:	10.5x	↖
Serie		56.0
Total		0.0



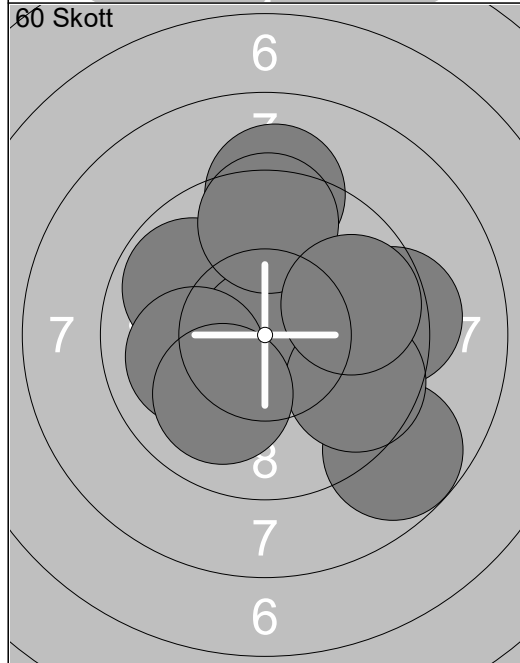
1:	10.2x	↗
2:	7.3	←
3:	9.1	↗
4:	9.0	↖
5:	9.4	←
6:	9.0	→
7:	10.5x	↓
8:	10.8x	↗
9:	10.0	←
10:	9.8	↗
Serie		92.0
Total		92.0



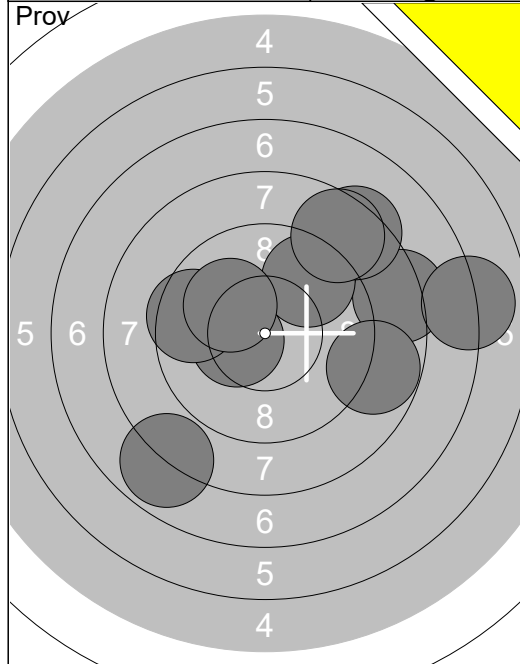
11:	10.5x	↘
12:	9.6	↘
13:	8.1	→
14:	9.7	←
15:	8.3	→
16:	7.5	→
17:	9.9	↗
18:	8.5	←
19:	10.4x	↘
20:	9.8	←
Serie		87.0
Total		179.0



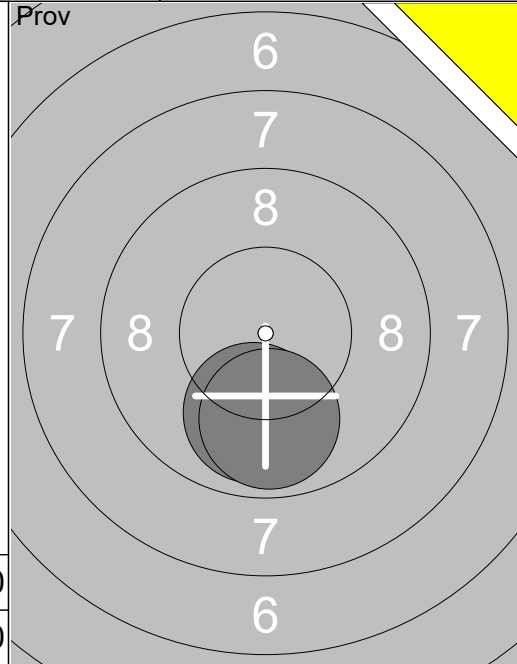
21:	10.3x	↗
22:	10.5x	↖
23:	7.3	←
24:	9.7	←
25:	9.9	↓
26:	8.1	←
27:	8.5	→
28:	9.2	↗
29:	10.4x	↗
30:	10.1	↖
Serie		90.0
Total		269.0



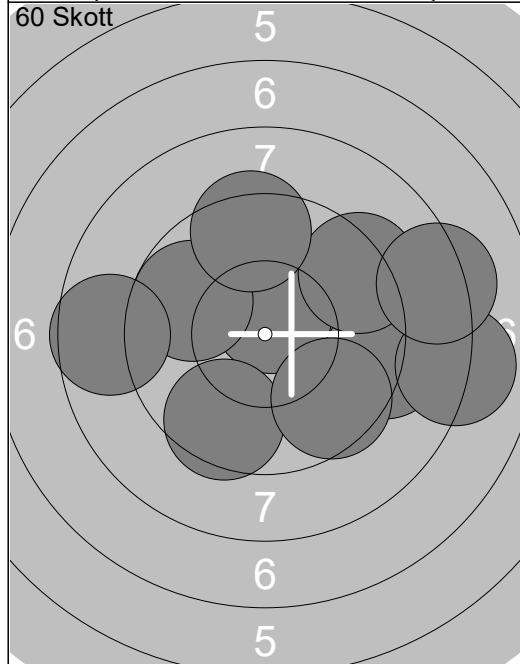
31:	9.9	←
32:	8.8	↘
33:	9.1	↑
34:	10.9x	↓
35:	9.3	→
36:	9.6	↘
37:	10.0	←
38:	9.5	↑
39:	9.8	→
40:	10.0	↘
Serie		92.0
Total		361.0



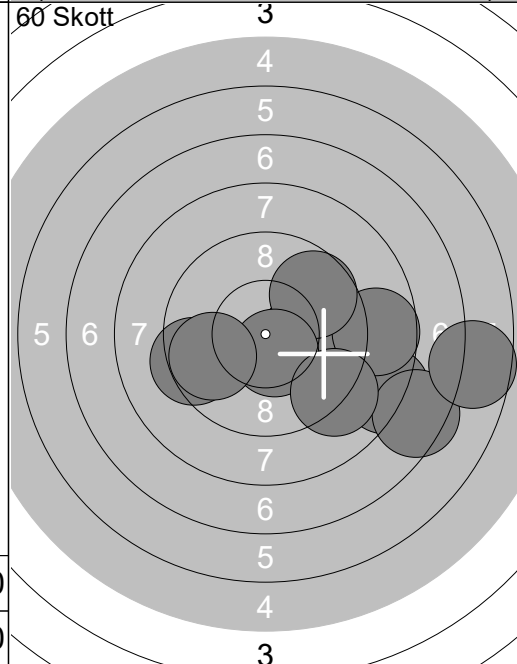
1:	7.9 ↘
2:	10.4 ✕
3:	8.3 →
4:	9.6 ↗
5:	8.8 →
6:	7.0 →
7:	8.4 ↗
8:	9.5 ←
9:	8.6 ↗
10:	10.1 ↘
Serie 84.0	
Total 0.0	



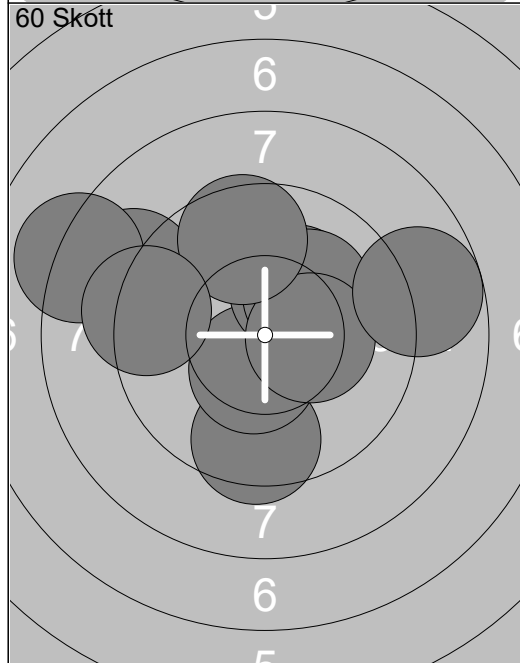
11:	9.9 ↓
12:	9.9 ↓
Serie 18.0	
Total 0.0	



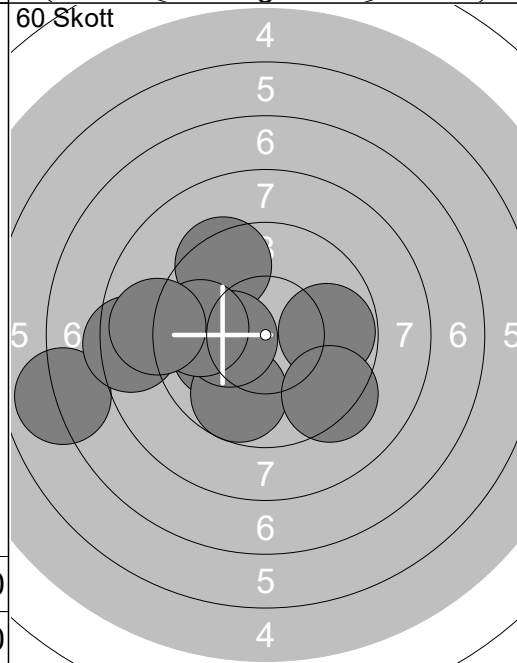
1:	9.1 →
2:	10.6 ✕ ↗
3:	9.5 ↓
4:	9.8 ←
5:	9.3 ↗
6:	9.6 ↓
7:	8.6 ←
8:	9.4 ↑
9:	8.1 →
10:	8.3 →
Serie 88.0	
Total 88.0	



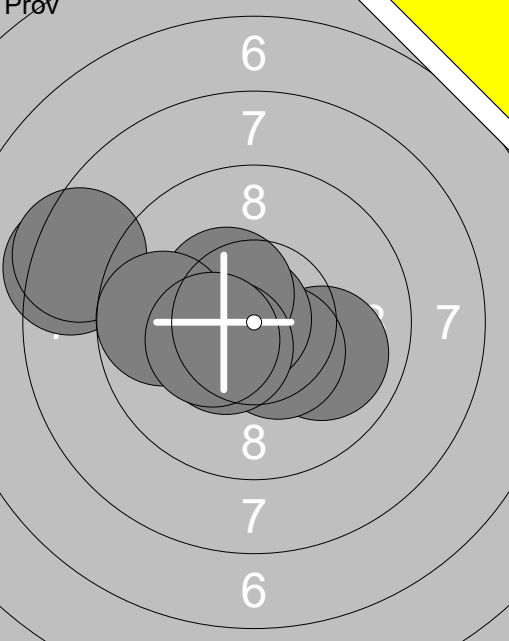
11:	8.2 →
12:	10.2 ✕ →
13:	8.7 →
14:	7.5 →
15:	9.4 ←
16:	6.7 →
17:	9.7 ↗
18:	10.5 ✕ ↓
19:	9.1 ↓
20:	9.8 ←
Serie 85.0	
Total 173.0	



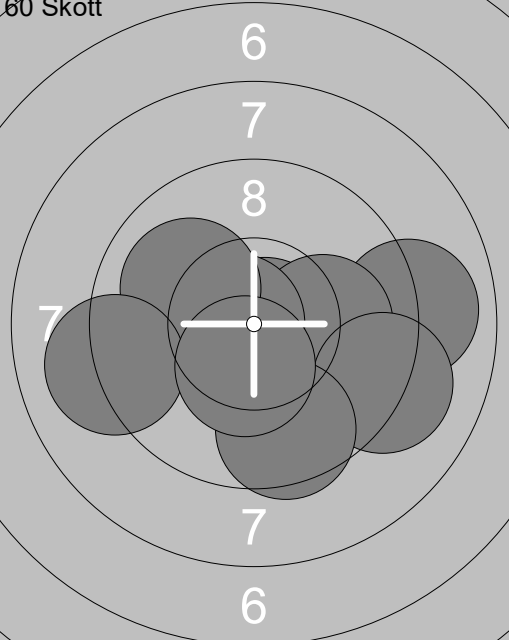
21:	9.5 ↓
22:	10.5 ✕ ↓
23:	10.2 ✕ ↗
24:	8.9 ←
25:	10.1 ↗
26:	10.3 ✕ →
27:	9.6 ↑
28:	8.2 ←
29:	9.3 ←
30:	8.8 →
Serie 91.0	
Total 264.0	



31:	9.4 ↖
32:	9.8 →
33:	10.0 ←
34:	9.7 ↓
35:	7.0 ←
36:	10.3 ✕ ←
37:	9.7 ←
38:	9.3 ↓
39:	8.4 ←
40:	8.9 ←
Serie 88.0	
Total 352.0	

Pröv 	1: 10.0 → 2: 8.4 ← 3: 10.4x ↘ 4: 10.8x ↗ 5: 10.4x ↗ 6: 8.4 ← 7: 10.5x ↘ 8: 9.7 ← 9: 10.3x ↘	60 Skott 	1: 9.7 ↖ 2: 9.5 ↙ 3: 10.8x ↗ 4: 10.4x ↘ 5: 9.5 → 6: 9.6 ← 7: 9.9 ← 8: 10.0 ↗ 9: 9.4 ↓ 10: 9.0 →
Serie 85.0		Serie 93.0	
Total 0.0		Total 93.0	

60 Skott 	11: 9.7 → 12: 10.9x ↘ 13: 9.5 ← 14: 10.5x ↘ 15: 9.9 ↓ 16: 9.4 → 17: 9.2 ← 18: 10.0 ↓ 19: 10.0 → 20: 10.0 ←	60 Skott 	21: 10.1 ↖ 22: 10.1 ↖ 23: 9.8 ← 24: 9.2 → 25: 10.3x ↘ 26: 10.2x ↗ 27: 10.0 ↗ 28: 9.1 → 29: 9.8 ↙ 30: 10.3x ↗
Serie 95.0		Serie 96.0	
Total 188.0		Total 284.0	

60 Skott 	31: 10.8x → 32: 10.6x ↗ 33: 9.0 → 34: 10.1 → 35: 10.7x ↗ 36: 9.1 → 37: 10.0 ↖ 38: 9.5 ↓ 39: 9.1 ← 40: 10.4x ↘		
Serie 96.0			
Total 380.0			

<p>Prov</p>	<p>Prov</p>	<table style="width:100%; border-collapse: collapse;"> <tr><td>11: 7.6</td><td>➔</td></tr> <tr><td>12: 7.2</td><td>➔</td></tr> <tr><td>13: 10.2</td><td>↘</td></tr> <tr><td>14: 9.4</td><td>↘</td></tr> <tr><td>15: 9.6</td><td>↘</td></tr> <tr><td>16: 10.2</td><td>↗</td></tr> <tr><td>17: 10.4</td><td>↘</td></tr> </table>	11: 7.6	➔	12: 7.2	➔	13: 10.2	↘	14: 9.4	↘	15: 9.6	↘	16: 10.2	↗	17: 10.4	↘
11: 7.6	➔															
12: 7.2	➔															
13: 10.2	↘															
14: 9.4	↘															
15: 9.6	↘															
16: 10.2	↗															
17: 10.4	↘															
<table style="width:100%; border-collapse: collapse;"> <tr><td style="border-right: 1px solid black;">Serie</td><td style="text-align: right;">94.0</td></tr> <tr><td style="border-right: 1px solid black;">Total</td><td style="text-align: right;">0.0</td></tr> </table>	Serie	94.0	Total	0.0	<table style="width:100%; border-collapse: collapse;"> <tr><td style="border-right: 1px solid black;">Serie</td><td style="text-align: right;">62.0</td></tr> <tr><td style="border-right: 1px solid black;">Total</td><td style="text-align: right;">0.0</td></tr> </table>	Serie	62.0	Total	0.0							
Serie	94.0															
Total	0.0															
Serie	62.0															
Total	0.0															

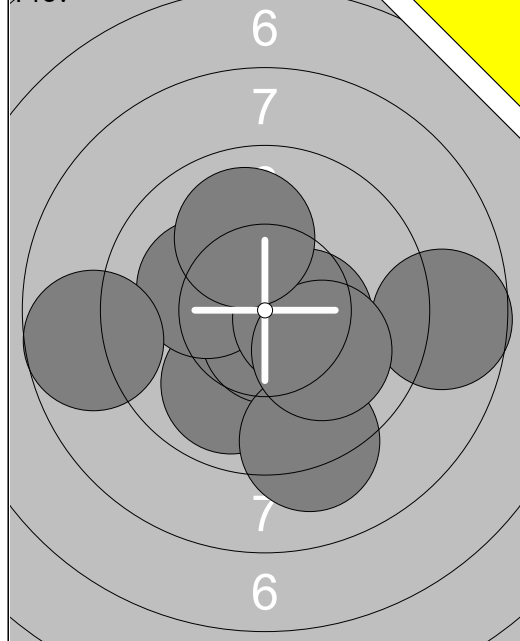
<p>60 Skott</p>	<p>60 Skott</p>	<table style="width:100%; border-collapse: collapse;"> <tr><td>11: 10.0</td><td>←</td></tr> <tr><td>12: 9.2</td><td>➔</td></tr> <tr><td>13: 10.2</td><td>↘</td></tr> <tr><td>14: 9.9</td><td>↘</td></tr> <tr><td>15: 9.8</td><td>➔</td></tr> <tr><td>16: 10.5</td><td>↘</td></tr> <tr><td>17: 9.2</td><td>↘</td></tr> <tr><td>18: 10.3</td><td>↘</td></tr> <tr><td>19: 9.8</td><td>↘</td></tr> <tr><td>20: 9.8</td><td>↘</td></tr> </table>	11: 10.0	←	12: 9.2	➔	13: 10.2	↘	14: 9.9	↘	15: 9.8	➔	16: 10.5	↘	17: 9.2	↘	18: 10.3	↘	19: 9.8	↘	20: 9.8	↘
11: 10.0	←																					
12: 9.2	➔																					
13: 10.2	↘																					
14: 9.9	↘																					
15: 9.8	➔																					
16: 10.5	↘																					
17: 9.2	↘																					
18: 10.3	↘																					
19: 9.8	↘																					
20: 9.8	↘																					
<table style="width:100%; border-collapse: collapse;"> <tr><td style="border-right: 1px solid black;">Serie</td><td style="text-align: right;">94.0</td></tr> <tr><td style="border-right: 1px solid black;">Total</td><td style="text-align: right;">94.0</td></tr> </table>	Serie	94.0	Total	94.0	<table style="width:100%; border-collapse: collapse;"> <tr><td style="border-right: 1px solid black;">Serie</td><td style="text-align: right;">94.0</td></tr> <tr><td style="border-right: 1px solid black;">Total</td><td style="text-align: right;">188.0</td></tr> </table>	Serie	94.0	Total	188.0													
Serie	94.0																					
Total	94.0																					
Serie	94.0																					
Total	188.0																					

<p>60 Skott</p>	<p>60 Skott</p>	<table style="width:100%; border-collapse: collapse;"> <tr><td>31: 10.2</td><td>↘</td></tr> <tr><td>32: 10.2</td><td>↘</td></tr> <tr><td>33: 10.0</td><td>↗</td></tr> <tr><td>34: 10.0</td><td>↗</td></tr> <tr><td>35: 10.3</td><td>↘</td></tr> <tr><td>36: 9.7</td><td>↗</td></tr> <tr><td>37: 8.3</td><td>➔</td></tr> <tr><td>38: 9.5</td><td>←</td></tr> <tr><td>39: 10.7</td><td>↗</td></tr> <tr><td>40: 9.9</td><td>↗</td></tr> </table>	31: 10.2	↘	32: 10.2	↘	33: 10.0	↗	34: 10.0	↗	35: 10.3	↘	36: 9.7	↗	37: 8.3	➔	38: 9.5	←	39: 10.7	↗	40: 9.9	↗
31: 10.2	↘																					
32: 10.2	↘																					
33: 10.0	↗																					
34: 10.0	↗																					
35: 10.3	↘																					
36: 9.7	↗																					
37: 8.3	➔																					
38: 9.5	←																					
39: 10.7	↗																					
40: 9.9	↗																					
<table style="width:100%; border-collapse: collapse;"> <tr><td style="border-right: 1px solid black;">Serie</td><td style="text-align: right;">98.0</td></tr> <tr><td style="border-right: 1px solid black;">Total</td><td style="text-align: right;">286.0</td></tr> </table>	Serie	98.0	Total	286.0	<table style="width:100%; border-collapse: collapse;"> <tr><td style="border-right: 1px solid black;">Serie</td><td style="text-align: right;">95.0</td></tr> <tr><td style="border-right: 1px solid black;">Total</td><td style="text-align: right;">381.0</td></tr> </table>	Serie	95.0	Total	381.0													
Serie	98.0																					
Total	286.0																					
Serie	95.0																					
Total	381.0																					

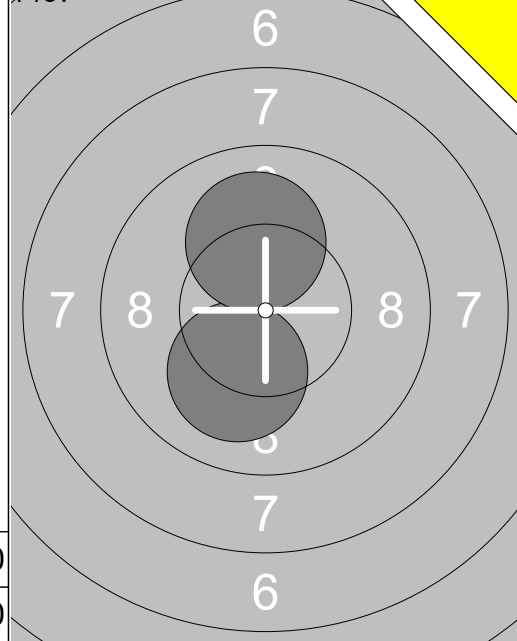
	<p>1: 9.0 ↖</p> <p>2: 10.6x↘</p> <p>3: 9.9 ↗</p> <p>4: 8.5 ←</p> <p>5: 9.2 ←</p> <p>6: 10.2x↖</p> <p>7: 9.8 →</p> <p>8: 9.9 ↑</p> <p>9: 8.4 →</p> <p>10: 10.0 ↙</p>		<p>11: 9.3 ↓</p> <p>12: 9.6 ↙</p> <p>13: 9.4 ↗</p> <p>14: 10.4x↖</p> <p>15: 10.6x↙</p>
Serie	91.0	Serie	47.0
Total	0.0	Total	0.0

	<p>1: 10.0 →</p> <p>2: 10.1 →</p> <p>3: 9.4 ↑</p> <p>4: 9.0 ↗</p> <p>5: 8.7 →</p> <p>6: 10.6x↘</p> <p>7: 9.9 ↓</p> <p>8: 10.0 ↗</p> <p>9: 8.8 ←</p> <p>10: 10.8x↘</p>		<p>11: 9.7 ↗</p> <p>12: 10.0 ↗</p> <p>13: 10.6x↖</p> <p>14: 8.7 ←</p> <p>15: 9.7 ↙</p> <p>16: 10.7x→</p> <p>17: 9.2 ←</p> <p>18: 9.9 ↖</p> <p>19: 9.4 ←</p> <p>20: 8.3 →</p>
Serie	93.0	Serie	91.0
Total	93.0	Total	184.0

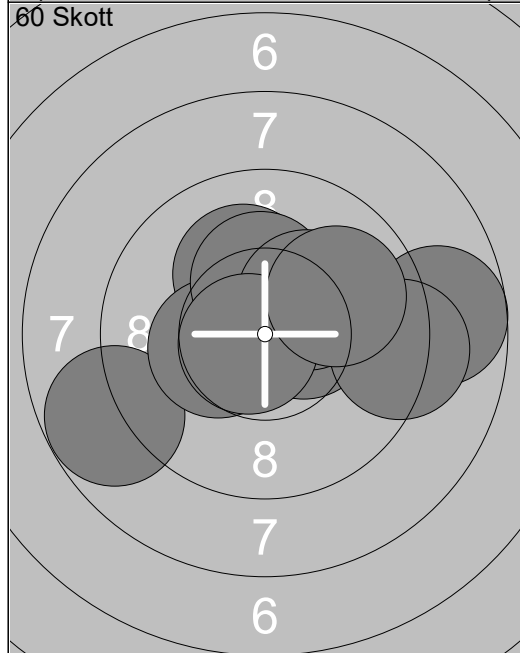
	<p>21: 10.7x↘</p> <p>22: 8.5 ←</p> <p>23: 10.2x↗</p> <p>24: 9.8 ↗</p> <p>25: 9.4 ↘</p> <p>26: 8.6 ↑</p> <p>27: 10.1 ↑</p> <p>28: 10.0 ←</p> <p>29: 10.1 ↗</p> <p>30: 9.1 ←</p>		<p>31: 9.7 ↙</p> <p>32: 8.9 ↙</p> <p>33: 10.5x↖</p> <p>34: 9.2 ↘</p> <p>35: 9.1 →</p> <p>36: 9.5 ←</p> <p>37: 10.4x↖</p> <p>38: 10.1 ↗</p> <p>39: 9.3 ↓</p> <p>40: 9.7 ↑</p>
Serie	93.0	Serie	92.0
Total	277.0	Total	369.0



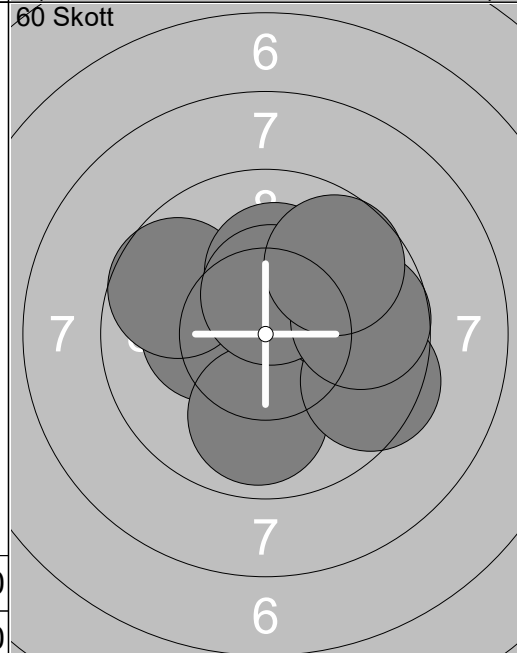
1:	10.0 ↓
2:	9.9 ↓
3:	10.6x↓
4:	10.2x↖
5:	9.2 ↓
6:	8.7 →
7:	10.5x→
8:	10.1 ↓
9:	8.7 ←
10:	10.0 ↑
Serie 94.0	
Total 0.0	



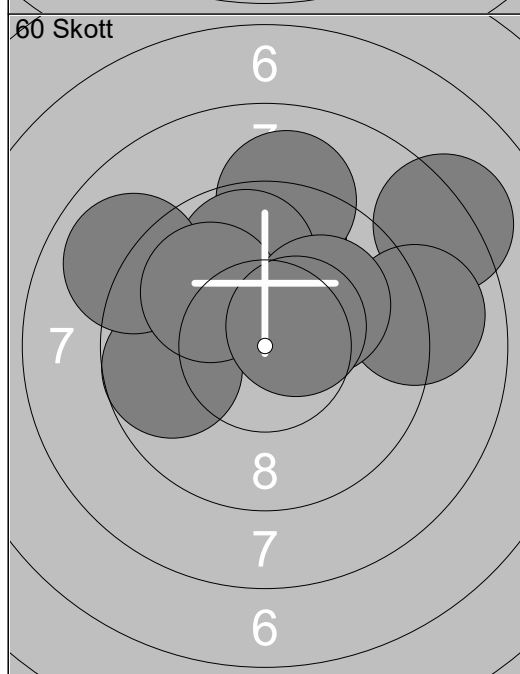
11:	10.1 ↓
12:	10.1 ↑
Serie 20.0	
Total 0.0	



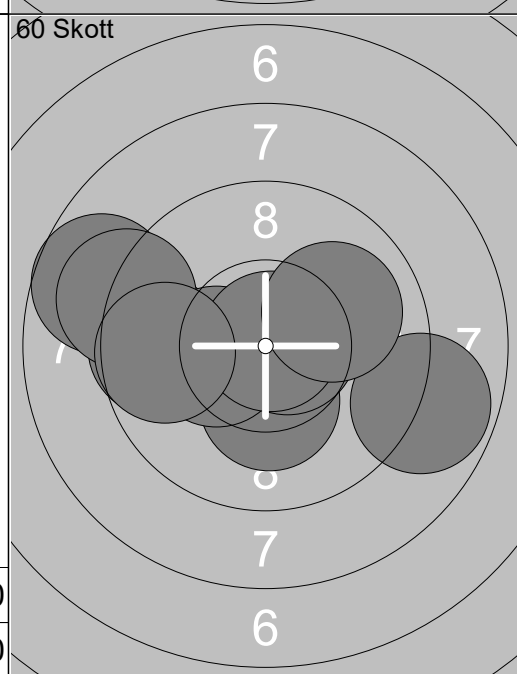
1:	8.8 ↙
2:	10.1 ↑
3:	8.7 →
4:	10.3x↖
5:	10.3x↑
6:	10.5x→
7:	10.3x↗
8:	9.2 →
9:	10.7x↘
10:	9.9 ↗
Serie 94.0	
Total 94.0	



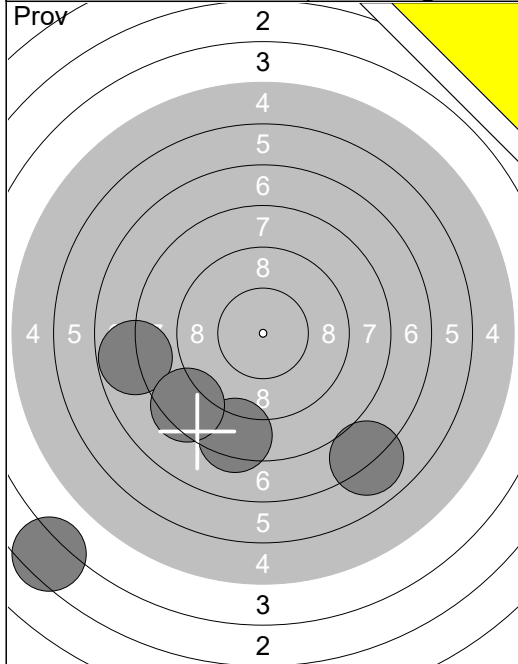
11:	10.6x↘
12:	10.3x↖
13:	9.7 ↖
14:	9.9 ↓
15:	9.5 →
16:	9.9 ↗
17:	10.2x↑
18:	10.4x↑
19:	9.7 →
20:	9.7 ↗
Serie 94.0	
Total 188.0	



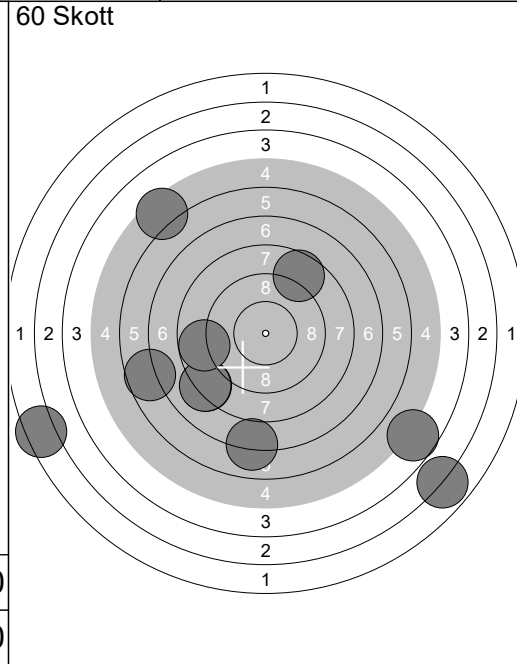
21:	9.7 ↑
22:	9.1 ↑
23:	9.7 ←
24:	8.2 ↗
25:	9.0 →
26:	9.8 ↑
27:	9.0 ↖
28:	10.0 ↖
29:	10.1 ↗
30:	10.5x↗
Serie 92.0	
Total 280.0	



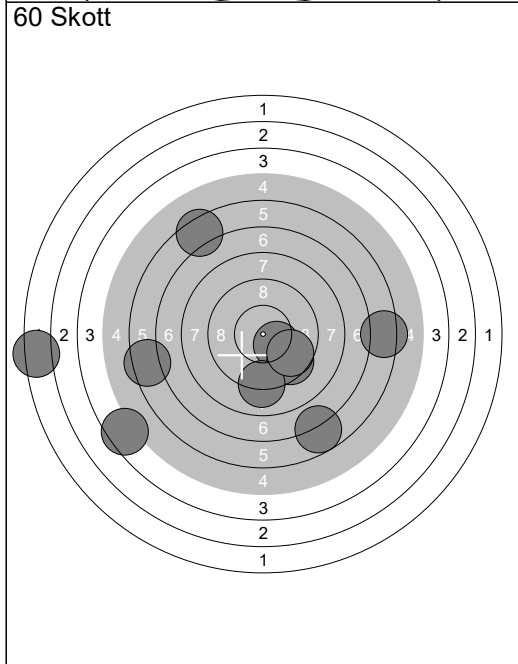
31:	9.6 ←
32:	10.3x↓
33:	8.7 ↖
34:	9.1 ↖
35:	8.8 →
36:	10.7x→
37:	10.3x↖
38:	10.9x↗
39:	10.0 ↗
40:	9.7 ←
Serie 93.0	
Total 373.0	



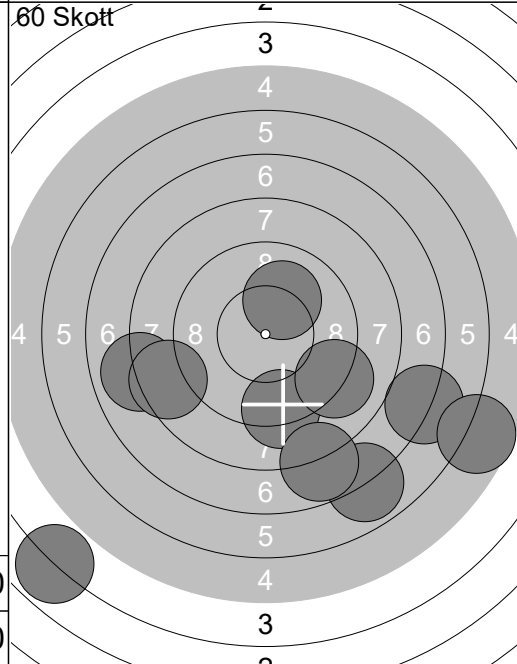
1: 8.4	↓
2: 7.0	↘
3: 7.8	←
4: 8.4	↙
5: 3.5	↘
Serie	33.0
Total	0.0



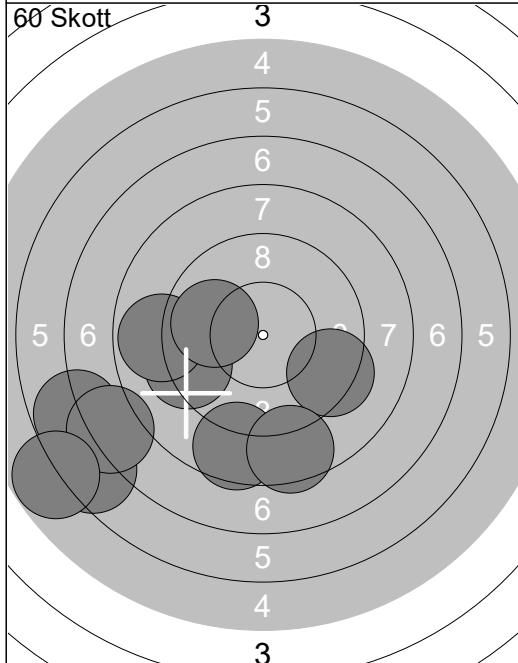
1: 4.7	↘
2: 2.9	↘
3: 8.2	↙
4: 8.2	↙
5: 7.0	↓
6: 5.4	↗
7: 6.6	←
8: 2.4	←
9: 8.6	↗
10: 8.8	←
Serie	58.0
Total	58.0



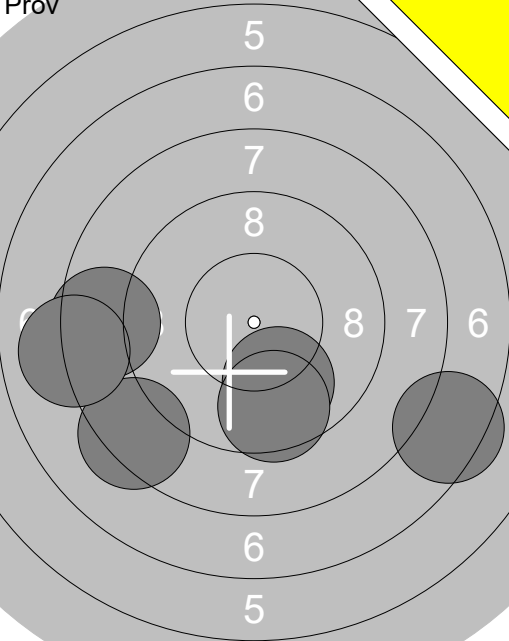
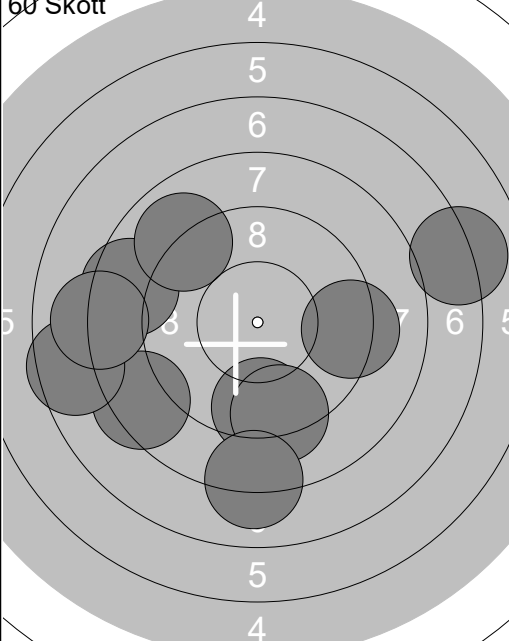
11: 6.4	←
12: 6.8	↓
13: 6.4	↗
14: 10.3	↘
15: 6.3	→
16: 9.5	↘
17: 9.0	↓
18: 2.3	←
19: 4.5	↙
20: 9.7	↘
Serie	67.0
Total	125.0



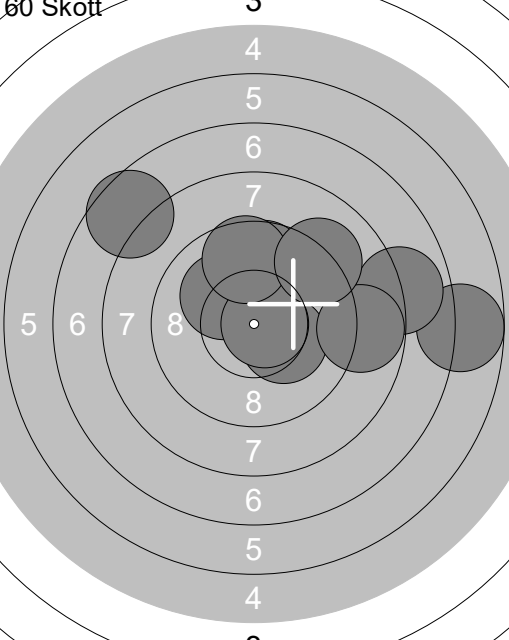
21: 8.0	←
22: 6.9	↓
23: 9.2	↓
24: 7.0	→
25: 8.5	←
26: 9.1	↘
27: 3.8	↙
28: 10.1	↗
29: 5.6	→
30: 7.8	↘
Serie	72.0
Total	197.0

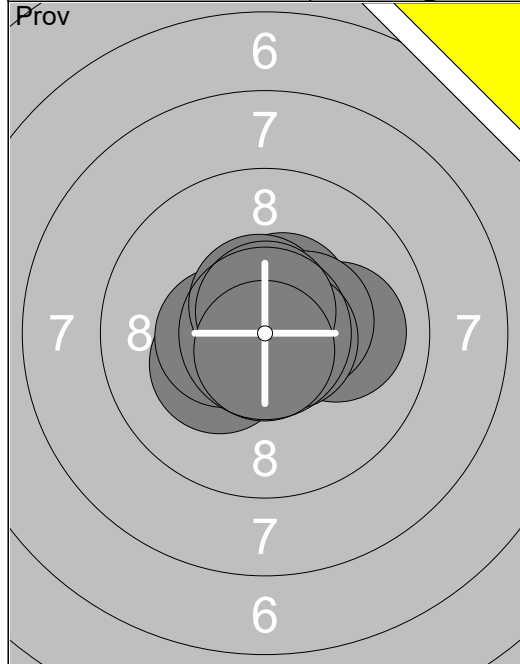


31: 6.8	←
32: 8.6	↓
33: 6.5	↙
34: 7.3	↙
35: 5.8	↙
36: 9.4	→
37: 8.5	↓
38: 9.3	←
39: 8.9	←
40: 9.9	←
Serie	75.0
Total	272.0

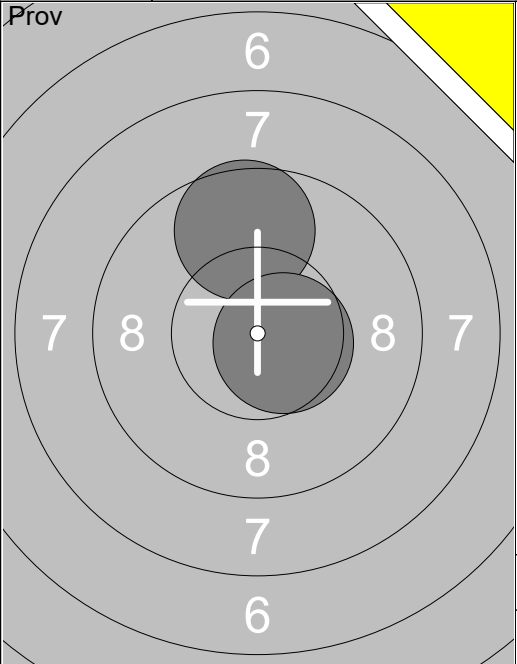
<p>Prov</p> 	<p>1: 8.6 ←</p> <p>2: 9.9 ↓</p> <p>3: 8.3 ↙</p> <p>4: 9.6 ↓</p> <p>5: 7.4 →</p> <p>6: 8.0 ←</p>	<p>60 Skott</p> 		<p>1: 9.4 ↓</p> <p>2: 9.2 ↓</p> <p>3: 8.5 ←</p> <p>4: 8.4 ↙</p> <p>5: 7.5 ←</p> <p>6: 8.1 ←</p> <p>7: 7.1 →</p> <p>8: 9.0 ↗</p> <p>9: 9.2 →</p> <p>10: 8.1 ↓</p>
Serie	49.0	Serie	82.0	
Total	0.0	Total	82.0	

<p>60 Skott</p> 	<p>11: 9.8 ↓</p> <p>12: 9.1 ↓</p> <p>13: 10.4x ↓</p> <p>14: 8.5 ↗</p> <p>15: 10.3x ↓</p> <p>16: 6.5 →</p> <p>17: 9.1 ↗</p> <p>18: 9.4 ↑</p> <p>19: 9.7 ↗</p> <p>20: 9.3 ↗</p>	<p>60 Skott</p> 		<p>21: 9.7 ←</p> <p>22: 8.9 ←</p> <p>23: 9.0 ↗</p> <p>24: 9.2 →</p> <p>25: 9.2 ←</p> <p>26: 9.2 ↖</p> <p>27: 9.4 ←</p> <p>28: 7.5 ↗</p> <p>29: 10.2x ↗</p> <p>30: 9.5 ↗</p>
Serie	88.0	Serie	88.0	
Total	170.0	Total	258.0	

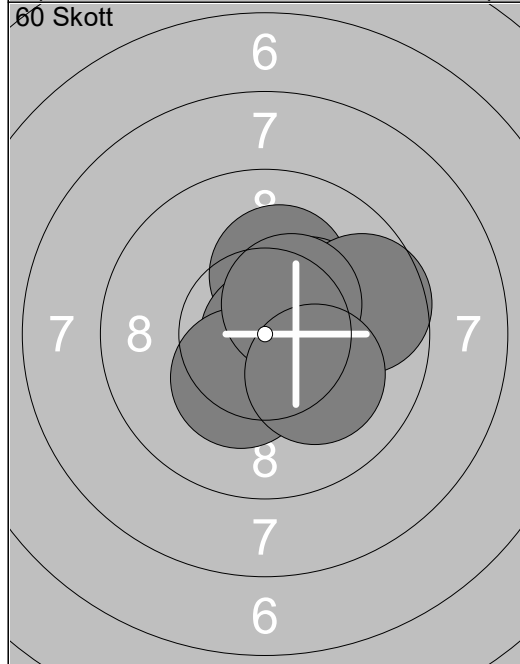
<p>60 Skott</p> 	<p>31: 9.7 ↑</p> <p>32: 6.7 →</p> <p>33: 7.9 →</p> <p>34: 10.1 ↖</p> <p>35: 10.3x ↘</p> <p>36: 8.8 →</p> <p>37: 10.7x →</p> <p>38: 9.6 ↑</p> <p>39: 7.6 ↖</p> <p>40: 9.1 ↗</p>			
Serie	85.0			
Total	343.0			



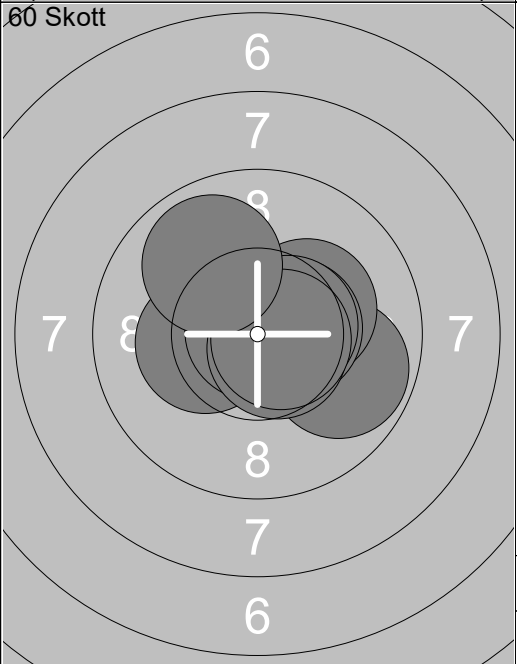
1:	10.8x ↗
2:	10.5x ↗
3:	10.0 →
4:	10.2x ↘
5:	10.4x ↖
6:	10.6x ↗
7:	10.4x →
8:	10.7x →
9:	10.7x ↗
10:	10.7x ↘
Serie 100.0	
Total 0.0	



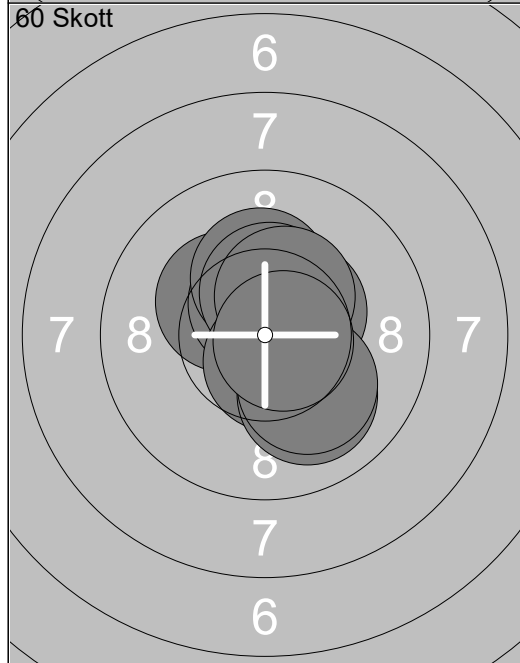
11:	9.6 ↑
12:	10.6x →
Serie 19.0	
Total 0.0	



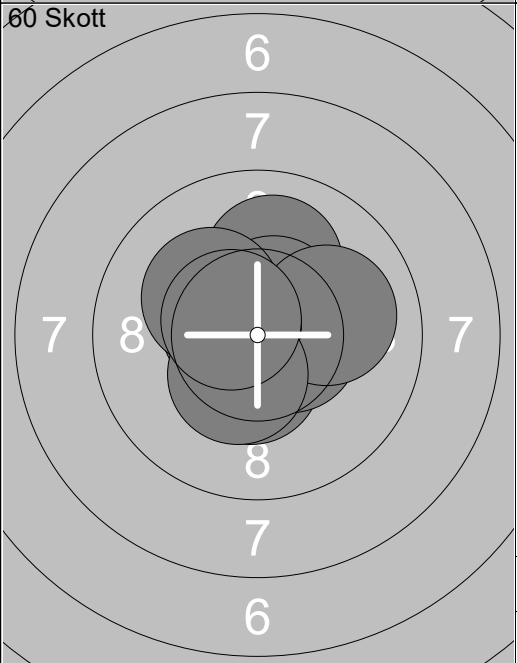
1:	10.4x ↗
2:	10.2x ↗
3:	10.3x ↗
4:	10.6x →
5:	10.3x →
6:	10.9x →
7:	10.3x ↘
8:	9.7 →
9:	10.4x ↗
10:	10.1 ↘
Serie 99.0	
Total 99.0	



11:	9.8 →
12:	10.6x ↘
13:	10.3x ↖
14:	10.2x ↗
15:	10.9x ↘
16:	10.5x →
17:	10.6x →
18:	10.6x ↘
19:	10.6x →
20:	9.9 ↘
Serie 98.0	
Total 197.0	



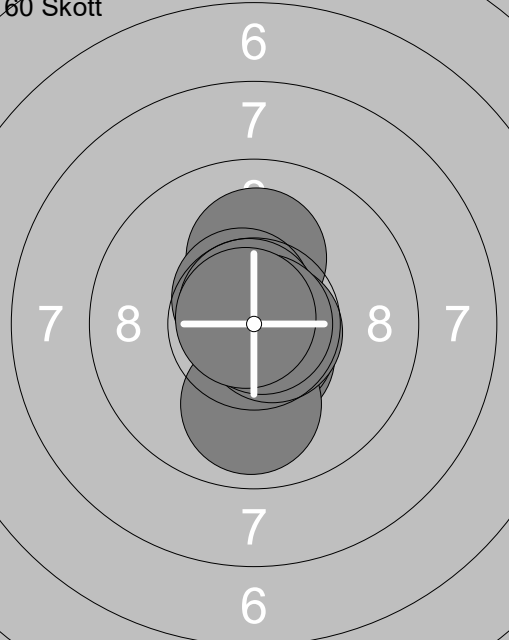
21:	10.3x ↖
22:	10.5x ↗
23:	10.2x ↗
24:	10.4x ↗
25:	10.6x ↘
26:	10.4x ↗
27:	10.0 ↘
28:	10.1 ↘
29:	10.4x ↗
30:	10.7x →
Serie 100.0	
Total 297.0	



31:	10.4x ↘
32:	10.5x →
33:	10.0 ↑
34:	10.5x ↗
35:	10.8x ↖
36:	10.0 →
37:	10.6x ↖
38:	10.4x ↘
39:	10.2x ↖
40:	10.6x ↖
Serie 100.0	
Total 397.0	

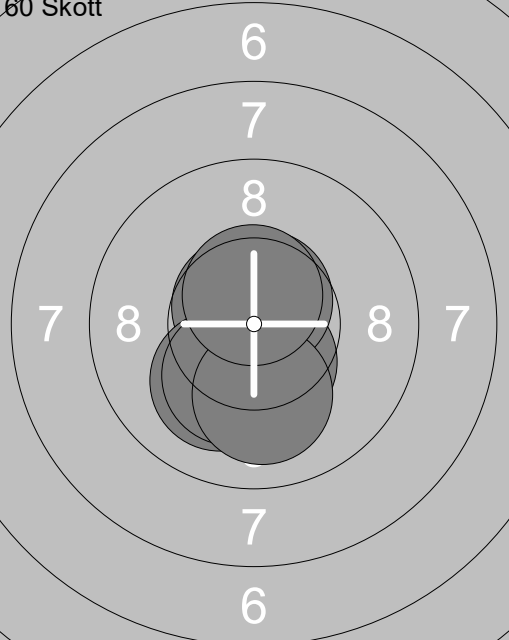
Prov 	1: 10.3x↘ 2: 10.5x↑ 3: 10.9x↘ 4: 9.8 ↓ 5: 10.5x↓ 6: 10.1 ↗ 7: 10.6x↑	60 Skott 	1: 10.6x↖ 2: 9.9 ↓ 3: 9.8 ↓ 4: 10.4x↗ 5: 10.6x↑ 6: 10.5x↗ 7: 10.6x↑ 8: 10.3x↑ 9: 10.6x↗ 10: 10.3x↑
Serie 69.0		Serie 98.0	
Total 0.0		Total 98.0	

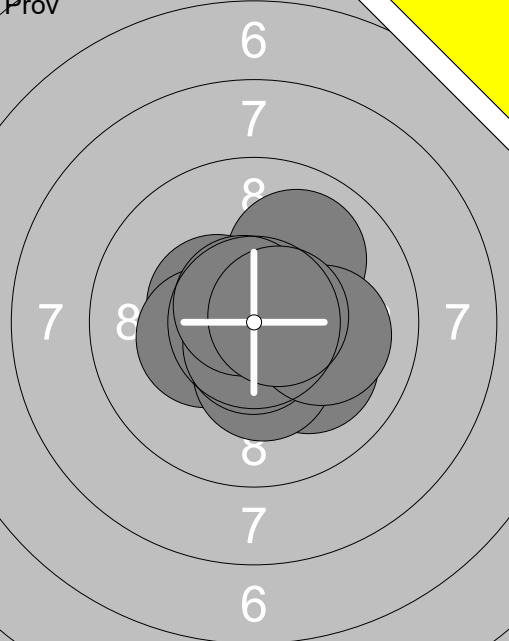
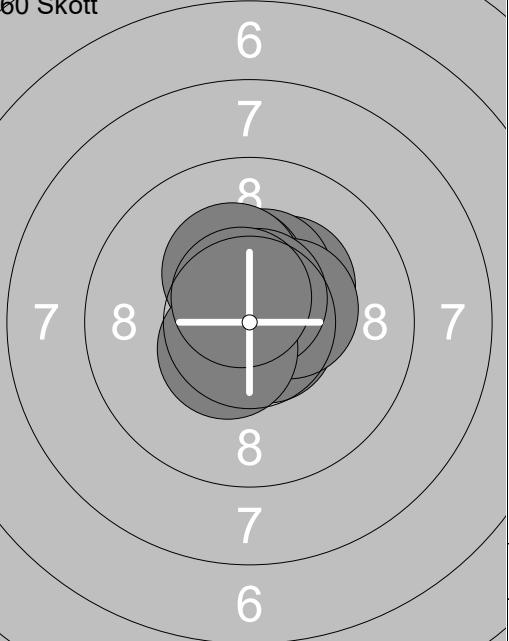
60 Skott 	11: 10.7x↘ 12: 10.6x↗ 13: 10.4x↘ 14: 9.5 ↑ 15: 10.3x↑ 16: 10.2x↓ 17: 10.6x↖ 18: 10.4x↗ 19: 9.7 ↗ 20: 10.5x↘	60 Skott 	21: 10.8x↓ 22: 10.3x↗ 23: 10.6x↓ 24: 10.3x↗ 25: 10.0 ↗ 26: 9.8 → 27: 10.4x↘ 28: 10.4x↘ 29: 10.7x↑ 30: 10.2x↑
Serie 98.0		Serie 99.0	
Total 196.0		Total 295.0	

60 Skott 	31: 10.5x↓ 32: 10.9x↓ 33: 10.7x↓ 34: 9.9 ↓ 35: 10.1 ↑ 36: 10.6x↘ 37: 10.7x↑ 38: 10.7x↗ 39: 10.8x↗ 40: 10.8x↘		
Serie 99.0			
Total 394.0			

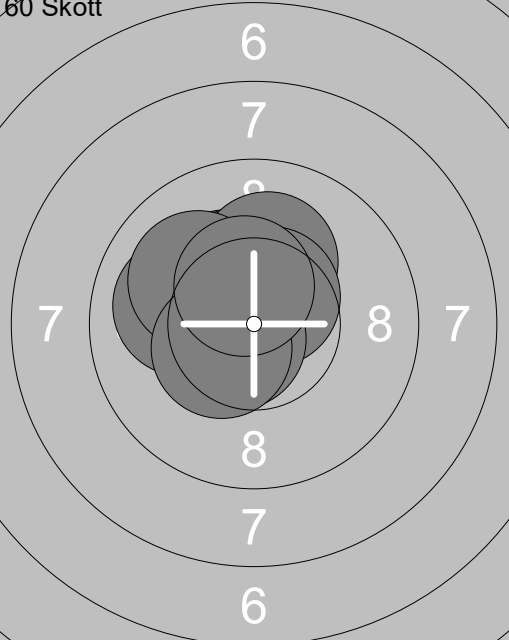
Prov 	1: 8.9 → 2: 9.0 → 3: 9.5 → 4: 9.6 ↓ 5: 9.9 ↓ 6: 10.1 ↗ 7: 9.8 ↓ 8: 10.4x↓ 9: 10.8x↓ 10: 10.8x↓	60 Skott 	1: 10.8x↓ 2: 10.6x↓ 3: 10.7x↓ 4: 10.1 → 5: 9.6 ↓ 6: 10.1 ↓ 7: 10.4x↓ 8: 10.7x↔ 9: 9.9 ↓ 10: 10.4x↓
Serie	93.0	Serie	98.0
Total	0.0	Total	98.0

60 Skott 	11: 10.4x↓ 12: 10.7x↓ 13: 10.7x↓ 14: 10.7x↓ 15: 10.2x↓ 16: 9.8 ↓ 17: 10.1 ↓ 18: 10.4x↓ 19: 10.6x↗ 20: 9.5 →	60 Skott 	21: 9.9 ↗ 22: 10.5x↔ 23: 10.2x↓ 24: 10.3x↓ 25: 10.7x↓ 26: 9.9 ↓ 27: 10.7x↔ 28: 10.5x↔ 29: 10.5x↑ 30: 10.3x↓
Serie	98.0	Serie	98.0
Total	196.0	Total	294.0

60 Skott 	31: 10.8x↓ 32: 10.7x↓ 33: 10.4x↓ 34: 10.7x↔ 35: 10.2x↓ 36: 10.1 ↓ 37: 10.2x↓ 38: 10.6x↑ 39: 10.0 ↓ 40: 10.6x↑		
Serie	100.0		
Total	394.0		

Prov 	1: 10.0 ↗ 2: 10.4 ↘ 3: 10.3 ↘ 4: 10.8x ➤ 5: 10.1 ➤ 6: 10.3x ↓ 7: 10.7x ↓ 8: 10.1 ➤ 9: 10.7x ↘ 10: 10.6x ➤	60 Skott 	1: 10.3x ↗ 2: 10.4x ↗ 3: 10.3x ↘ 4: 10.7x ↘ 5: 10.7x ↘ 6: 10.4x ➤ 7: 10.3x ↘ 8: 10.6x ↗ 9: 10.5x ↘ 10: 10.6x ↘
Serie 100.0		Serie 100.0	
Total 0.0		Total 100.0	

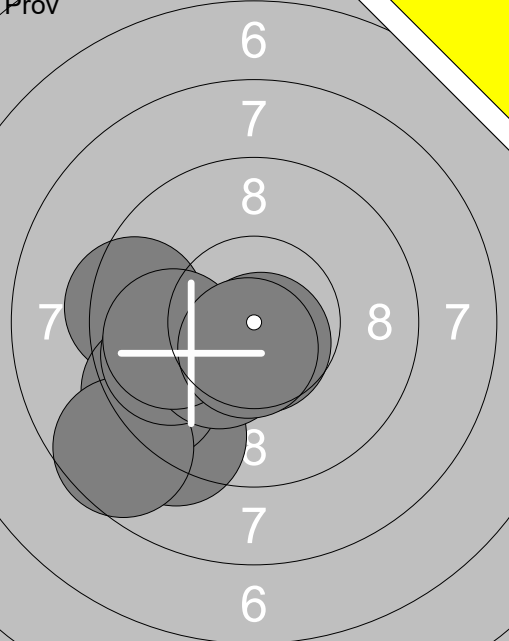
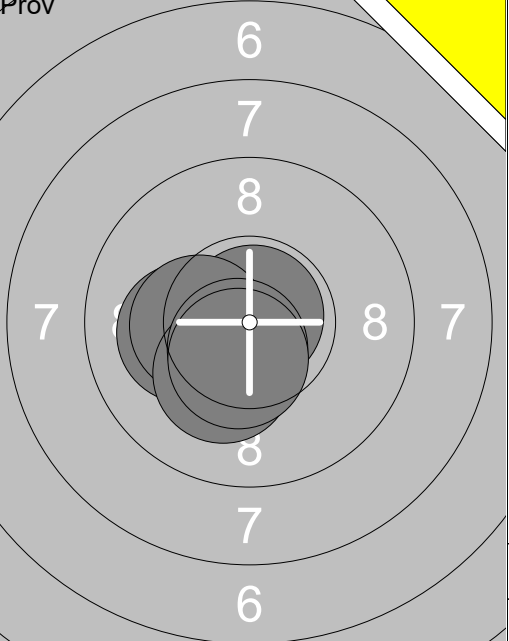
60 Skott 	11: 10.4x ↘ 12: 10.8x ↘ 13: 10.3x ↘ 14: 10.6x ↘ 15: 10.8x ↓ 16: 10.5x ↓ 17: 10.4x ↗ 18: 10.5x ↘ 19: 10.5x ↘ 20: 10.6x ↘	60 Skott 	21: 10.2x ↘ 22: 10.7x ➤ 23: 10.4x ↘ 24: 10.8x ↗ 25: 10.6x ↘ 26: 10.0 ↗ 27: 10.4x ➤ 28: 10.8x ↘ 29: 10.4x ↗ 30: 9.8 ↗
Serie 100.0		Serie 99.0	
Total 200.0		Total 299.0	

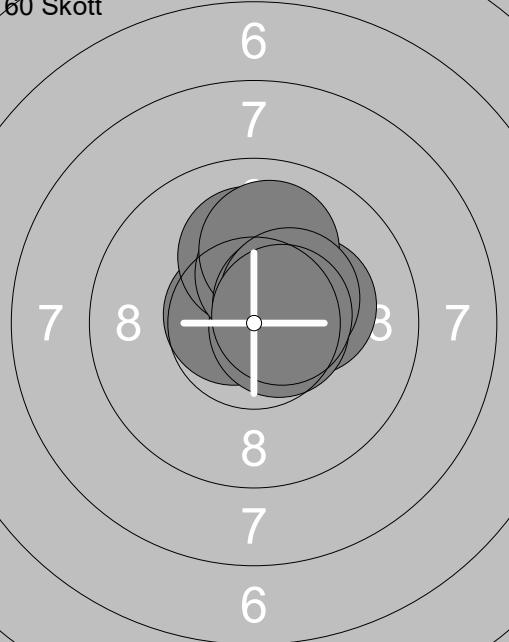
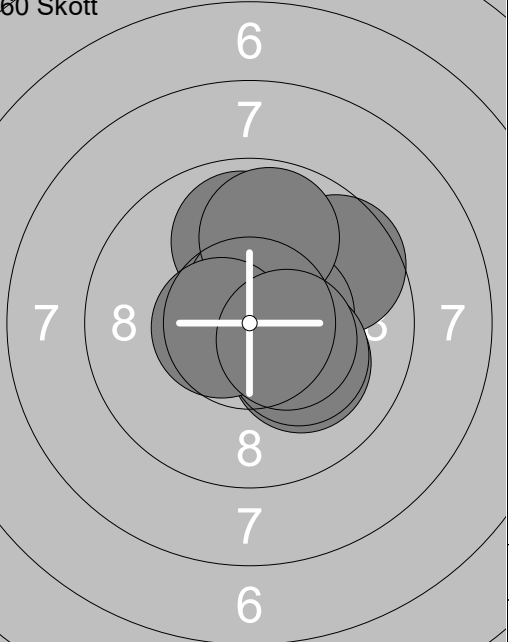
60 Skott 	31: 10.3x ↘ 32: 10.3x ↗ 33: 10.3x ↗ 34: 10.0 ↖ 35: 10.1 ↗ 36: 10.5x ↗ 37: 10.6x ↘ 38: 10.0 ↖ 39: 10.4x ↘ 40: 10.5x ↗		
Serie 100.0			
Total 399.0			

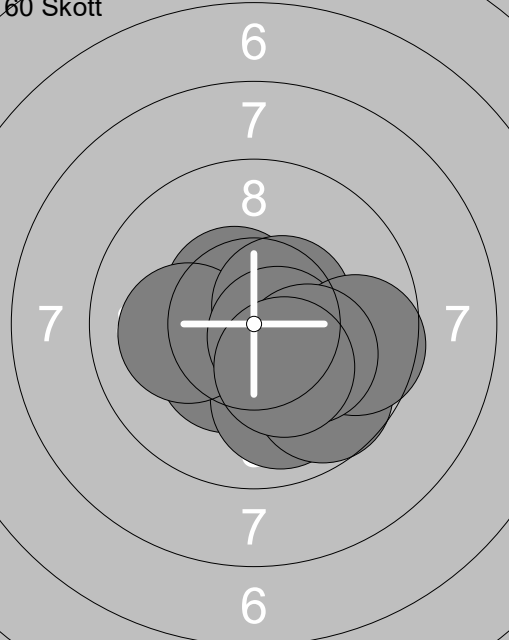
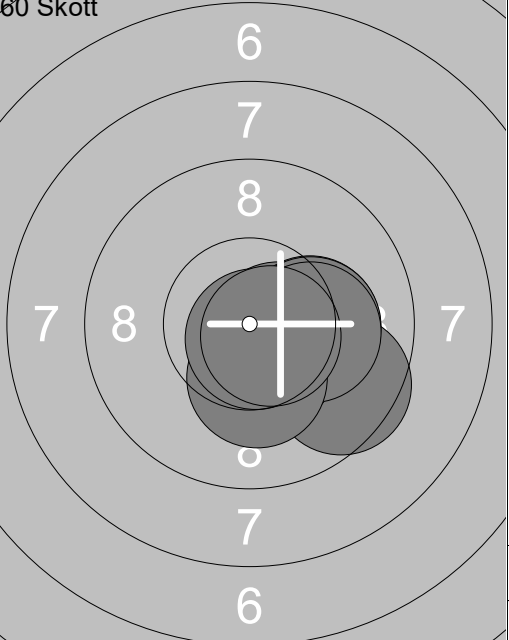
<p>Prov</p>	<p>60 Skott</p>	<table border="1" style="width:100%; border-collapse: collapse;"> <tr> <td>1: 10.7x</td> <td>↓</td> <td>1: 10.4x</td> <td>→</td> </tr> <tr> <td>2: 10.4x</td> <td>↘</td> <td>2: 10.5x</td> <td>↘</td> </tr> <tr> <td>3: 10.0</td> <td>→</td> <td>3: 10.5x</td> <td>↑</td> </tr> <tr> <td>4: 9.9</td> <td>↑</td> <td>4: 9.4</td> <td>↗</td> </tr> <tr> <td>5: 10.1</td> <td>→</td> <td>5: 10.2x</td> <td>→</td> </tr> <tr> <td>6: 10.3x</td> <td>↗</td> <td>6: 10.6x</td> <td>→</td> </tr> <tr> <td>7: 10.8x</td> <td>↘</td> <td>7: 10.3x</td> <td>↑</td> </tr> <tr> <td>8: 10.6x</td> <td>↘</td> <td>8: 10.7x</td> <td>↘</td> </tr> <tr> <td>9: 10.8x</td> <td>↘</td> <td>9: 10.7x</td> <td>↘</td> </tr> <tr> <td>10: 10.1</td> <td>↑</td> <td>10: 10.4x</td> <td>↗</td> </tr> <tr> <td colspan="2" style="text-align: right;">Serie 99.0</td> <td colspan="2" style="text-align: right;">Serie 99.0</td> </tr> <tr> <td colspan="2" style="text-align: right;">Total 0.0</td> <td colspan="2" style="text-align: right;">Total 99.0</td> </tr> </table>	1: 10.7x	↓	1: 10.4x	→	2: 10.4x	↘	2: 10.5x	↘	3: 10.0	→	3: 10.5x	↑	4: 9.9	↑	4: 9.4	↗	5: 10.1	→	5: 10.2x	→	6: 10.3x	↗	6: 10.6x	→	7: 10.8x	↘	7: 10.3x	↑	8: 10.6x	↘	8: 10.7x	↘	9: 10.8x	↘	9: 10.7x	↘	10: 10.1	↑	10: 10.4x	↗	Serie 99.0		Serie 99.0		Total 0.0		Total 99.0	
1: 10.7x	↓	1: 10.4x	→																																															
2: 10.4x	↘	2: 10.5x	↘																																															
3: 10.0	→	3: 10.5x	↑																																															
4: 9.9	↑	4: 9.4	↗																																															
5: 10.1	→	5: 10.2x	→																																															
6: 10.3x	↗	6: 10.6x	→																																															
7: 10.8x	↘	7: 10.3x	↑																																															
8: 10.6x	↘	8: 10.7x	↘																																															
9: 10.8x	↘	9: 10.7x	↘																																															
10: 10.1	↑	10: 10.4x	↗																																															
Serie 99.0		Serie 99.0																																																
Total 0.0		Total 99.0																																																

<p>60 Skott</p>	<p>60 Skott</p>	<table border="1" style="width:100%; border-collapse: collapse;"> <tr> <td>11: 9.7</td> <td>↗</td> <td>21: 10.3x</td> <td>↘</td> </tr> <tr> <td>12: 10.1</td> <td>→</td> <td>22: 10.7x</td> <td>↘</td> </tr> <tr> <td>13: 10.1</td> <td>↑</td> <td>23: 10.3x</td> <td>↘</td> </tr> <tr> <td>14: 10.6x</td> <td>↗</td> <td>24: 9.8</td> <td>←</td> </tr> <tr> <td>15: 10.3x</td> <td>→</td> <td>25: 10.3x</td> <td>↘</td> </tr> <tr> <td>16: 10.5x</td> <td>↘</td> <td>26: 10.0</td> <td>←</td> </tr> <tr> <td>17: 10.6x</td> <td>↘</td> <td>27: 10.3x</td> <td>↗</td> </tr> <tr> <td>18: 10.0</td> <td>↑</td> <td>28: 10.2x</td> <td>↑</td> </tr> <tr> <td>19: 10.2x</td> <td>↑</td> <td>29: 10.8x</td> <td>↘</td> </tr> <tr> <td>20: 10.5x</td> <td>↑</td> <td>30: 10.3x</td> <td>↑</td> </tr> <tr> <td colspan="2" style="text-align: right;">Serie 99.0</td> <td colspan="2" style="text-align: right;">Serie 99.0</td> </tr> <tr> <td colspan="2" style="text-align: right;">Total 198.0</td> <td colspan="2" style="text-align: right;">Total 297.0</td> </tr> </table>	11: 9.7	↗	21: 10.3x	↘	12: 10.1	→	22: 10.7x	↘	13: 10.1	↑	23: 10.3x	↘	14: 10.6x	↗	24: 9.8	←	15: 10.3x	→	25: 10.3x	↘	16: 10.5x	↘	26: 10.0	←	17: 10.6x	↘	27: 10.3x	↗	18: 10.0	↑	28: 10.2x	↑	19: 10.2x	↑	29: 10.8x	↘	20: 10.5x	↑	30: 10.3x	↑	Serie 99.0		Serie 99.0		Total 198.0		Total 297.0	
11: 9.7	↗	21: 10.3x	↘																																															
12: 10.1	→	22: 10.7x	↘																																															
13: 10.1	↑	23: 10.3x	↘																																															
14: 10.6x	↗	24: 9.8	←																																															
15: 10.3x	→	25: 10.3x	↘																																															
16: 10.5x	↘	26: 10.0	←																																															
17: 10.6x	↘	27: 10.3x	↗																																															
18: 10.0	↑	28: 10.2x	↑																																															
19: 10.2x	↑	29: 10.8x	↘																																															
20: 10.5x	↑	30: 10.3x	↑																																															
Serie 99.0		Serie 99.0																																																
Total 198.0		Total 297.0																																																

<p>60 Skott</p>	<table border="1" style="width:100%; border-collapse: collapse;"> <tr> <td>31: 10.2x</td> <td>↘</td> </tr> <tr> <td>32: 9.8</td> <td>↗</td> </tr> <tr> <td>33: 10.0</td> <td>↑</td> </tr> <tr> <td>34: 10.3x</td> <td>↑</td> </tr> <tr> <td>35: 10.2x</td> <td>↑</td> </tr> <tr> <td>36: 10.2x</td> <td>↘</td> </tr> <tr> <td>37: 9.7</td> <td>↖</td> </tr> <tr> <td>38: 9.9</td> <td>↗</td> </tr> <tr> <td>39: 10.3x</td> <td>↘</td> </tr> <tr> <td>40: 10.1</td> <td>↑</td> </tr> <tr> <td colspan="2" style="text-align: right;">Serie 97.0</td> </tr> <tr> <td colspan="2" style="text-align: right;">Total 394.0</td> </tr> </table>	31: 10.2x	↘	32: 9.8	↗	33: 10.0	↑	34: 10.3x	↑	35: 10.2x	↑	36: 10.2x	↘	37: 9.7	↖	38: 9.9	↗	39: 10.3x	↘	40: 10.1	↑	Serie 97.0		Total 394.0	
31: 10.2x	↘																								
32: 9.8	↗																								
33: 10.0	↑																								
34: 10.3x	↑																								
35: 10.2x	↑																								
36: 10.2x	↘																								
37: 9.7	↖																								
38: 9.9	↗																								
39: 10.3x	↘																								
40: 10.1	↑																								
Serie 97.0																									
Total 394.0																									

Prov 	1: 9.4 ← 2: 10.7x↓ 3: 10.0 ↙ 4: 9.2 ↓ 5: 9.4 ← 6: 8.6 ↓ 7: 9.8 ← 8: 10.3x↓ 9: 9.9 ← 10: 10.6x↓ <hr/> Serie 93.0 Total 0.0	Prov 	11: 10.1 ← 12: 10.9x↗ 13: 10.3x↔ 14: 10.2x↓ 15: 10.6x↓ 16: 10.5x↓ <hr/> Serie 60.0 Total 0.0
------------------------------------------------------------------------------------------	------------------------------------------------------------------------------------------------------------------------------------------------------------	--------------------------------------------------------------------------------------------	-------------------------------------------------------------------------------------------------------------------

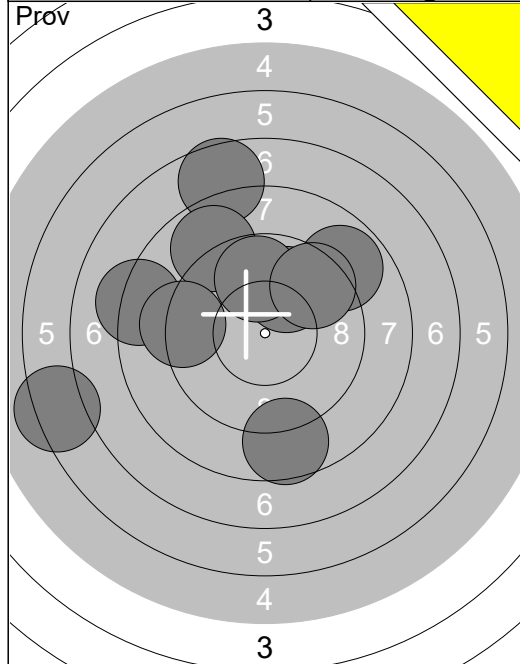
60 Skott 	1: 10.7x↔ 2: 10.6x➤ 3: 10.1 ↑ 4: 10.3x➤ 5: 10.6x➤ 6: 10.3x↗ 7: 10.0 ↑ 8: 10.5x↗ 9: 10.4x↗ 10: 10.6x➤ <hr/> Serie 100.0 Total 100.0	60 Skott 	11: 10.3x↗ 12: 9.6 ↗ 13: 9.9 ↑ 14: 10.5x➤ 15: 10.6x↗ 16: 9.8 ↑ 17: 10.1 ↘ 18: 10.2x↘ 19: 10.6x↔ 20: 10.4x↘ <hr/> Serie 97.0 Total 197.0
-----------------------------------------------------------------------------------------------	---------------------------------------------------------------------------------------------------------------------------------------------------------------------	-------------------------------------------------------------------------------------------------	--------------------------------------------------------------------------------------------------------------------------------------------------------------------------

60 Skott 	21: 10.3x↓ 22: 10.5x↘ 23: 9.9 ↓ 24: 10.1 ← 25: 9.7 ↘ 26: 10.5x↗ 27: 10.6x↘ 28: 9.6 ➤ 29: 10.2x↘ 30: 10.3x↓ <hr/> Serie 97.0 Total 294.0	60 Skott 	31: 10.6x↓ 32: 10.6x➤ 33: 9.5 ↘ 34: 10.4x↓ 35: 10.2x➤ 36: 10.2x➤ 37: 10.2x➤ 38: 10.3x↓ 39: 10.7x↓ 40: 10.6x↘ <hr/> Serie 99.0 Total 393.0
------------------------------------------------------------------------------------------------	--------------------------------------------------------------------------------------------------------------------------------------------------------------------------	--------------------------------------------------------------------------------------------------	----------------------------------------------------------------------------------------------------------------------------------------------------------------------------

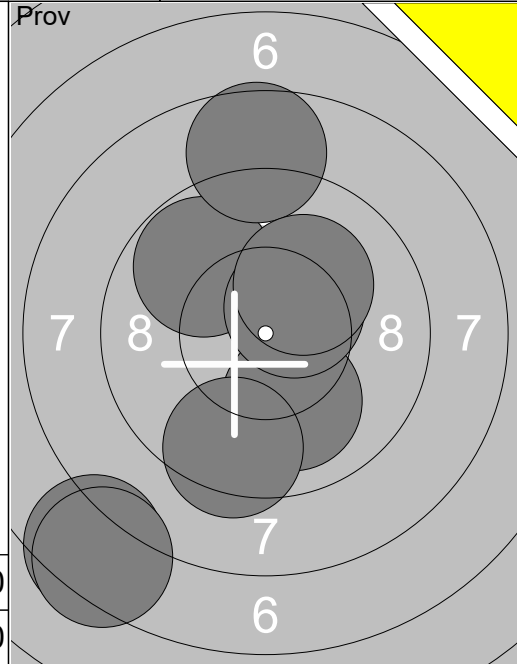
Prov 	1: 9.7 ← 2: 10.0 ← 3: 9.7 ← 4: 10.0 ← 5: 10.2 ✖ 6: 10.6x ↑ 7: 10.4x ✖ 8: 9.8 ↓ 9: 10.1 ↙ 10: 10.2x ↑ <hr/> Serie 97.0 Total 0.0	Prov 	11: 10.1 ↖ 12: 10.5x ✖ 13: 10.4x ↙ <hr/> Serie 30.0 Total 0.0
----------	------------------------------------------------------------------------------------------------------------------------------------------------------------------	----------	---------------------------------------------------------------------------

60 Skott 	1: 10.1 ↑ 2: 10.3x ✖ 3: 10.5x ↘ 4: 10.2x ↗ 5: 10.4x ✖ 6: 10.6x ↘ 7: 10.4x ↗ 8: 10.4x ✖ 9: 10.7x ✖ 10: 10.7x ↗ <hr/> Serie 100.0 Total 100.0	60 Skott 	11: 10.5x ↗ 12: 10.4x ✖ 13: 10.4x ↘ 14: 10.0 ↙ 15: 10.3x ✖ 16: 10.3x ✖ 17: 10.6x ↘ 18: 10.7x ✖ 19: 10.5x ↗ 20: 9.9 ← <hr/> Serie 99.0 Total 199.0
--------------	------------------------------------------------------------------------------------------------------------------------------------------------------------------------------	--------------	------------------------------------------------------------------------------------------------------------------------------------------------------------------------------------

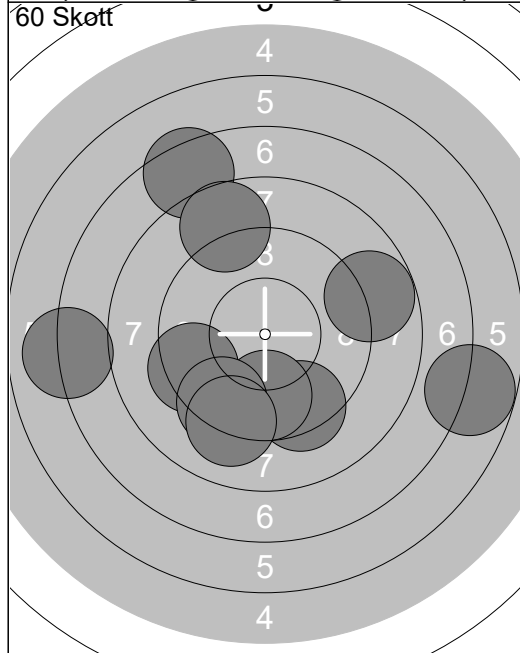
60 Skott 	21: 10.9x ✖ 22: 10.5x ↗ 23: 10.7x ➡ 24: 10.3x ↗ 25: 10.1 ↗ 26: 10.7x ➡ 27: 10.7x ➡ 28: 10.3x ↗ 29: 10.7x ➡ 30: 10.1 ↓ <hr/> Serie 100.0 Total 299.0	60 Skott 	31: 10.0 ↑ 32: 10.0 ↗ 33: 10.5x ↘ 34: 10.5x ↗ 35: 10.0 ➡ 36: 10.6x ↗ 37: 10.7x ↘ 38: 10.5x ✖ 39: 10.6x ↗ 40: 10.4x ✖ <hr/> Serie 100.0 Total 399.0
--------------	--------------------------------------------------------------------------------------------------------------------------------------------------------------------------------------	--------------	-------------------------------------------------------------------------------------------------------------------------------------------------------------------------------------



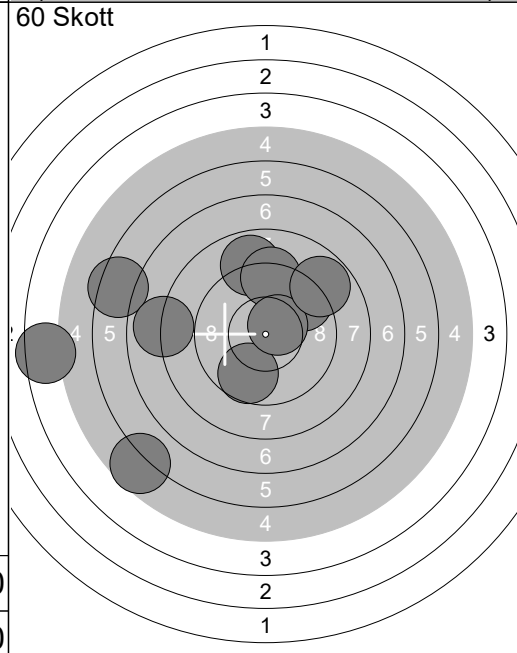
1:	8.9	↗
2:	8.2	←
3:	9.9	↗
4:	7.6	↗
5:	8.6	↓
6:	8.9	↗
7:	9.8	↗
8:	9.5	↗
9:	9.2	←
10:	6.3	←
Serie		81.0
Total		0.0



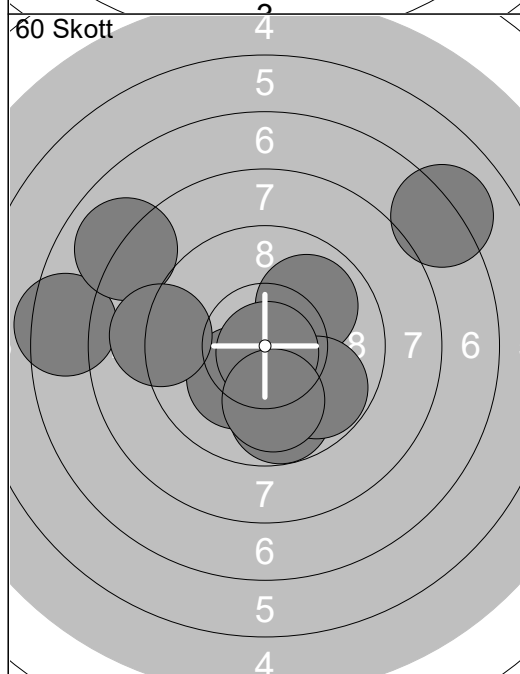
11:	10.0	↓
12:	7.5	↙
13:	7.4	↙
14:	9.8	↖
15:	8.6	↑
16:	10.5x	↗
17:	9.4	↓
18:	10.2x	↗
Serie		70.0
Total		0.0



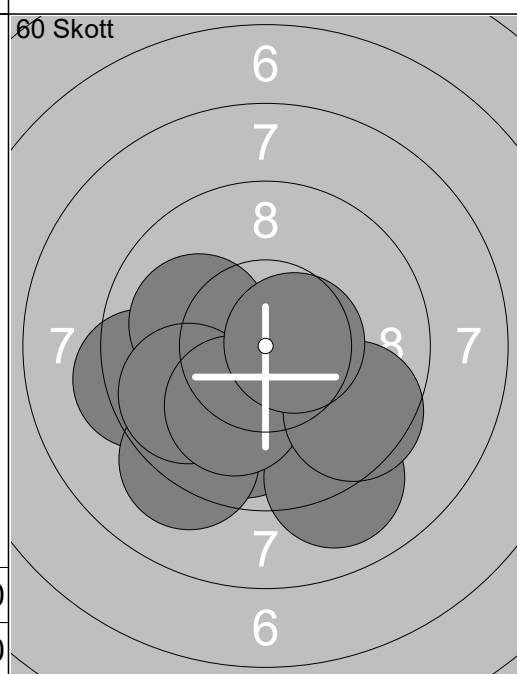
1:	9.4	↓
2:	7.0	←
3:	7.4	↗
4:	9.4	←
5:	8.7	↗
6:	6.8	→
7:	9.7	↓
8:	8.8	→
9:	9.4	↙
10:	9.1	↓
Serie		81.0
Total		81.0



11:	9.7	↙
12:	6.4	←
13:	7.9	←
14:	9.5	↗
15:	8.9	↑
16:	9.3	↑
17:	10.5x	↗
18:	5.6	↙
19:	4.4	←
20:	8.8	↗
Serie		75.0
Total		156.0



21:	7.4	←
22:	8.0	↖
23:	7.1	↗
24:	9.9	↗
25:	9.8	↓
26:	10.2x	↙
27:	9.1	←
28:	9.8	↘
29:	10.8x	↙
30:	10.0	↓
Serie		88.0
Total		244.0



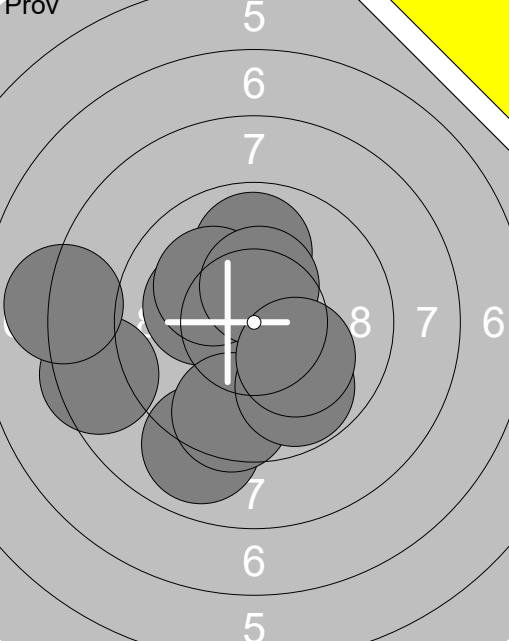
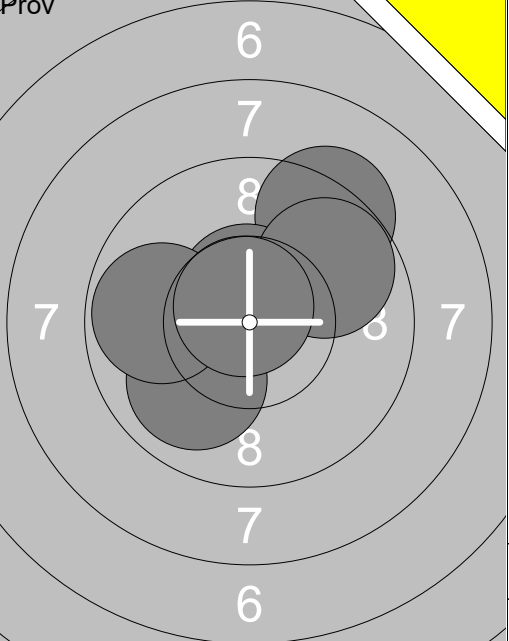
31:	9.3	←
32:	10.1	↖
33:	9.9	↓
34:	9.2	↙
35:	9.8	↖
36:	10.4x	↙
37:	9.1	↓
38:	10.1	↙
39:	9.6	↘
40:	10.6x	→
Serie		94.0
Total		338.0

<p>Pröv</p>	<p>1: 9.6 ↙ 2: 10.0 ↖ 3: 10.1 ↘ 4: 10.2x ↖ 5: 10.1 ↘ 6: 9.6 ↘ 7: 9.7 ↖ 8: 10.4x ↗ 9: 9.7 ↖ 10: 9.5 ↖</p> <p>Serie 95.0 Total 0.0</p>	<p>Pröv</p>	<p>11: 9.8 ↖ 12: 8.5 ↖ 13: 10.2x ↗ 14: 8.9 ↖ 15: 10.2x ↗ 16: 10.1 ↗ 17: 9.7 ↗ 18: 9.1 ↗ 19: 9.1 ↖ 20: 8.8 ↗</p> <p>Serie 90.0 Total 0.0</p>
--------------------	------------------------------------------------------------------------------------------------------------------------------------------------------------------------------	--------------------	-------------------------------------------------------------------------------------------------------------------------------------------------------------------------------------

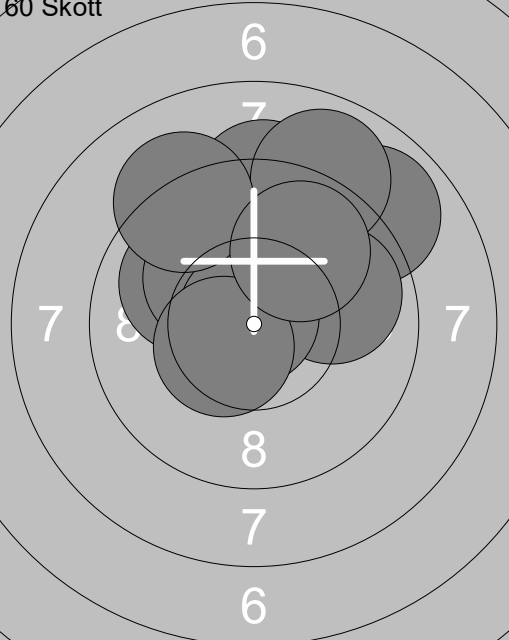
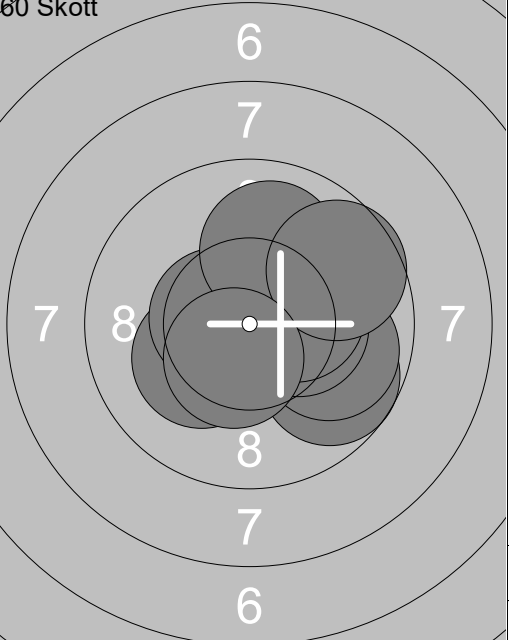
<p>Pröv</p>	<p>21: 10.1 ↗ 22: 10.6x ↖</p> <p>Serie 20.0 Total 0.0</p>	<p>60 Skott</p>	<p>1: 9.8 ↗ 2: 10.3x ↘ 3: 9.7 ↘ 4: 9.2 ↗ 5: 10.6x → 6: 8.1 ↗ 7: 10.2x ↗ 8: 9.9 ↘ 9: 10.0 ↗ 10: 10.1 ↖</p> <p>Serie 94.0 Total 94.0</p>
--------------------	-------------------------------------------------------------------	------------------------	--------------------------------------------------------------------------------------------------------------------------------------------------------------------------------

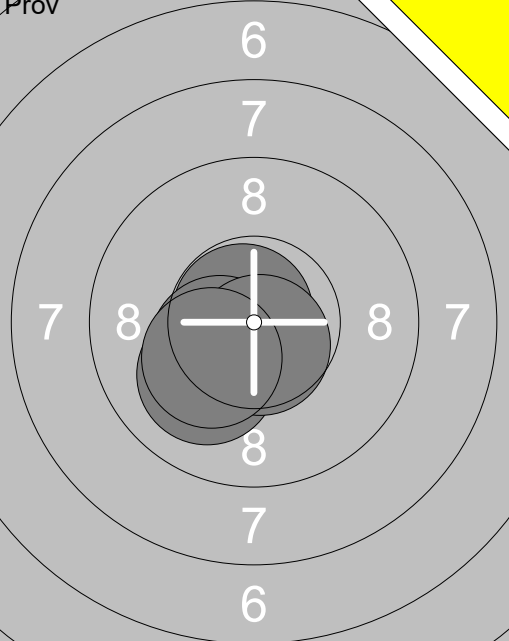
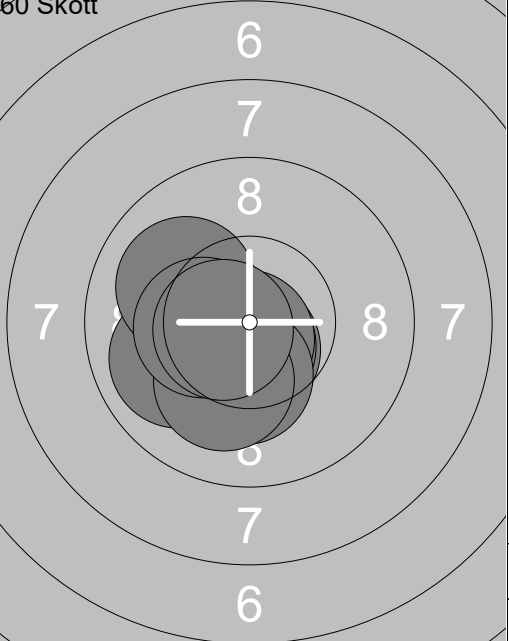
<p>60 Skott</p>	<p>11: 9.4 ↘ 12: 10.2x ↗ 13: 10.5x ↖ 14: 9.2 ↖ 15: 10.6x ↗ 16: 10.1 ↗ 17: 10.2x ↖ 18: 10.8x ↗ 19: 10.2x ↘ 20: 10.4x ↗</p> <p>Serie 98.0 Total 192.0</p>	<p>60 Skott</p>	<p>21: 10.7x ↖ 22: 9.8 ↗ 23: 10.2x ↖ 24: 10.4x ↗ 25: 9.2 ↖ 26: 9.7 ↖ 27: 9.8 ↖ 28: 9.7 ↗ 29: 9.1 ↖ 30: 9.5 ↘</p> <p>Serie 93.0 Total 285.0</p>
------------------------	-------------------------------------------------------------------------------------------------------------------------------------------------------------------------------------------------	------------------------	----------------------------------------------------------------------------------------------------------------------------------------------------------------------------------------

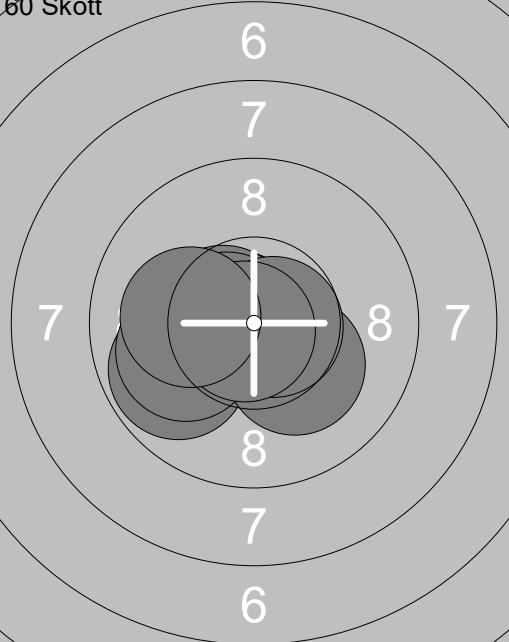
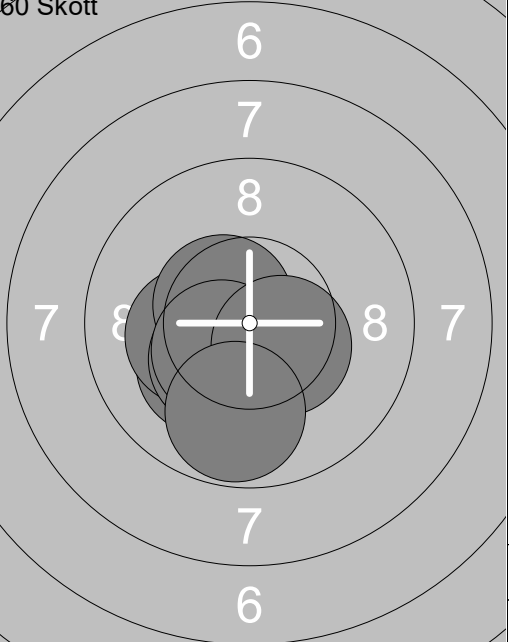
<p>60 Skott</p>	<p>31: 9.3 ↖ 32: 9.4 ↗ 33: 10.4x ↘ 34: 8.6 ↖ 35: 9.8 ↘ 36: 10.6x ↗ 37: 10.0 ↘ 38: 8.9 ↘ 39: 10.2x ↗ 40: 10.3x ↘</p> <p>Serie 93.0 Total 378.0</p>		
------------------------	-------------------------------------------------------------------------------------------------------------------------------------------------------------------------------------------	--	--

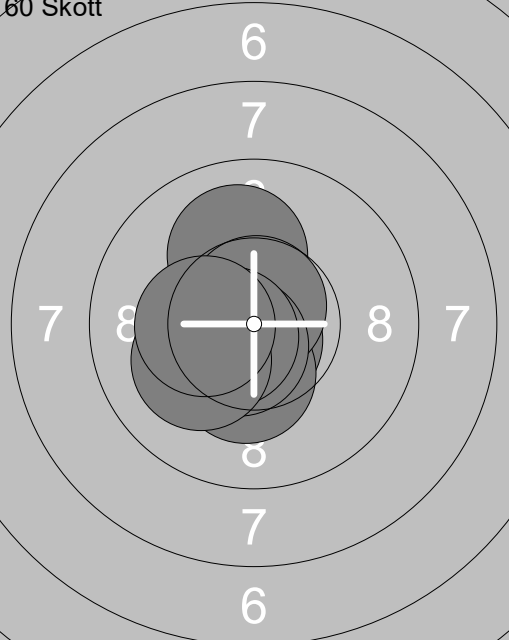
Prov 	1: 8.5 ← 2: 8.1 ← 3: 9.9 ↑ 4: 10.1 ← 5: 10.1 ↖ 6: 10.4x ↑ 7: 9.0 ↓ 8: 9.6 ↓ 9: 9.8 ↓ 10: 10.1 ↘ <hr/> Serie 92.0 Total 0.0	Prov 	11: 9.3 ↗ 12: 10.6x ↑ 13: 9.8 ↗ 14: 10.0 ↘ 15: 9.8 ← 16: 10.7x ↘ <hr/> Serie 57.0 Total 0.0
------------------------------------------------------------------------------------------	-------------------------------------------------------------------------------------------------------------------------------------------------------------	--------------------------------------------------------------------------------------------	------------------------------------------------------------------------------------------------------------------

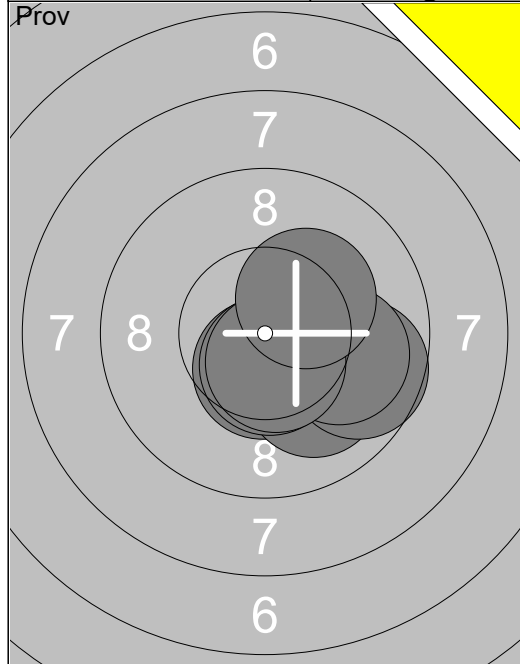
60 Skott 	1: 10.3x ↘ 2: 10.3x ↘ 3: 10.0 ← 4: 9.8 → 5: 9.9 ↑ 6: 9.6 ↑ 7: 10.0 → 8: 10.8x ↑ 9: 10.4x ↘ 10: 10.3x ↘ <hr/> Serie 97.0 Total 97.0	60 Skott 	11: 10.3x ↘ 12: 10.4x ↑ 13: 10.7x ↘ 14: 10.2x ↑ 15: 10.5x ↘ 16: 10.0 ↑ 17: 10.3x ↘ 18: 10.8x → 19: 8.2 ← 20: 10.2x ↑ <hr/> Serie 98.0 Total 195.0
-----------------------------------------------------------------------------------------------	---------------------------------------------------------------------------------------------------------------------------------------------------------------------	-------------------------------------------------------------------------------------------------	------------------------------------------------------------------------------------------------------------------------------------------------------------------------------------

60 Skott 	21: 8.9 ↗ 22: 9.2 ↑ 23: 9.9 → 24: 10.0 ↖ 25: 8.9 ↑ 26: 10.2x ↘ 27: 10.8x ↘ 28: 10.5x ↘ 29: 9.2 ↖ 30: 9.9 ↗ <hr/> Serie 92.0 Total 287.0	60 Skott 	31: 9.7 ↘ 32: 10.3x → 33: 10.2x ↘ 34: 9.9 → 35: 10.3x → 36: 10.3x → 37: 10.6x ↖ 38: 10.0 ↑ 39: 9.6 ↗ 40: 10.5x ↘ <hr/> Serie 97.0 Total 384.0
------------------------------------------------------------------------------------------------	--------------------------------------------------------------------------------------------------------------------------------------------------------------------------	--------------------------------------------------------------------------------------------------	--------------------------------------------------------------------------------------------------------------------------------------------------------------------------------

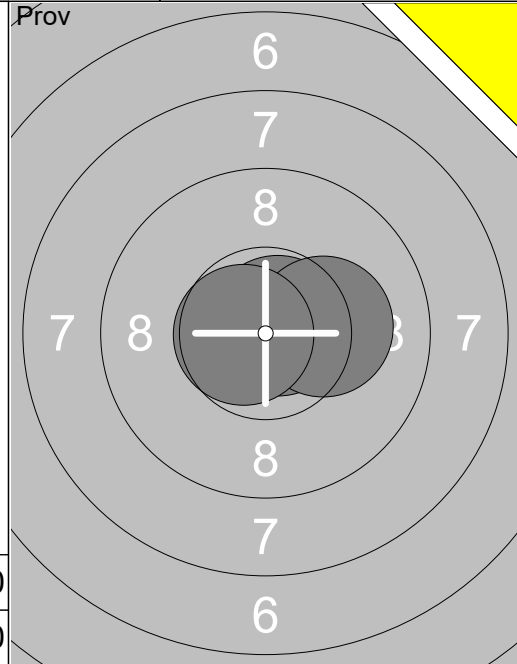
<p>Prov</p> 	<p>60 Skott</p> 	<table style="width:100%; border-collapse: collapse;"> <tr><td>1: 10.8</td><td style="text-align: right;">✘</td></tr> <tr><td>2: 10.4</td><td style="text-align: right;">✘</td></tr> <tr><td>3: 10.1</td><td style="text-align: right;">✘</td></tr> <tr><td>4: 10.6</td><td style="text-align: right;">✘</td></tr> <tr><td>5: 10.2</td><td style="text-align: right;">✘</td></tr> <tr><td colspan="2"> </td></tr> <tr><td>Serie</td><td style="text-align: right;">50.0</td></tr> <tr><td>Total</td><td style="text-align: right;">0.0</td></tr> </table>	1: 10.8	✘	2: 10.4	✘	3: 10.1	✘	4: 10.6	✘	5: 10.2	✘			Serie	50.0	Total	0.0	<table style="width:100%; border-collapse: collapse;"> <tr><td>1: 10.6</td><td style="text-align: right;">✘</td></tr> <tr><td>2: 10.6</td><td style="text-align: right;">✘</td></tr> <tr><td>3: 10.7</td><td style="text-align: right;">✘</td></tr> <tr><td>4: 10.3</td><td style="text-align: right;">✘</td></tr> <tr><td>5: 10.2</td><td style="text-align: right;">✘</td></tr> <tr><td>6: 9.9</td><td style="text-align: right;">↙</td></tr> <tr><td>7: 10.0</td><td style="text-align: right;">↙</td></tr> <tr><td>8: 10.1</td><td style="text-align: right;">✘</td></tr> <tr><td>9: 10.4</td><td style="text-align: right;">✘</td></tr> <tr><td>10: 10.6</td><td style="text-align: right;">✘</td></tr> <tr><td colspan="2"> </td></tr> <tr><td>Serie</td><td style="text-align: right;">99.0</td></tr> <tr><td>Total</td><td style="text-align: right;">99.0</td></tr> </table>	1: 10.6	✘	2: 10.6	✘	3: 10.7	✘	4: 10.3	✘	5: 10.2	✘	6: 9.9	↙	7: 10.0	↙	8: 10.1	✘	9: 10.4	✘	10: 10.6	✘			Serie	99.0	Total	99.0
1: 10.8	✘																																												
2: 10.4	✘																																												
3: 10.1	✘																																												
4: 10.6	✘																																												
5: 10.2	✘																																												
Serie	50.0																																												
Total	0.0																																												
1: 10.6	✘																																												
2: 10.6	✘																																												
3: 10.7	✘																																												
4: 10.3	✘																																												
5: 10.2	✘																																												
6: 9.9	↙																																												
7: 10.0	↙																																												
8: 10.1	✘																																												
9: 10.4	✘																																												
10: 10.6	✘																																												
Serie	99.0																																												
Total	99.0																																												

<p>60 Skott</p> 	<p>60 Skott</p> 	<table style="width:100%; border-collapse: collapse;"> <tr><td>11: 9.8</td><td style="text-align: right;">↙</td></tr> <tr><td>12: 10.2</td><td style="text-align: right;">✘</td></tr> <tr><td>13: 10.7</td><td style="text-align: right;">✘</td></tr> <tr><td>14: 10.8</td><td style="text-align: right;">✘</td></tr> <tr><td>15: 10.5</td><td style="text-align: right;">✘</td></tr> <tr><td>16: 10.6</td><td style="text-align: right;">✘</td></tr> <tr><td>17: 10.0</td><td style="text-align: right;">↙</td></tr> <tr><td>18: 10.7</td><td style="text-align: right;">✘</td></tr> <tr><td>19: 10.8</td><td style="text-align: right;">✘</td></tr> <tr><td>20: 10.1</td><td style="text-align: right;">↙</td></tr> <tr><td colspan="2"> </td></tr> <tr><td>Serie</td><td style="text-align: right;">99.0</td></tr> <tr><td>Total</td><td style="text-align: right;">198.0</td></tr> </table>	11: 9.8	↙	12: 10.2	✘	13: 10.7	✘	14: 10.8	✘	15: 10.5	✘	16: 10.6	✘	17: 10.0	↙	18: 10.7	✘	19: 10.8	✘	20: 10.1	↙			Serie	99.0	Total	198.0	<table style="width:100%; border-collapse: collapse;"> <tr><td>21: 10.8</td><td style="text-align: right;">✘</td></tr> <tr><td>22: 10.2</td><td style="text-align: right;">✘</td></tr> <tr><td>23: 10.2</td><td style="text-align: right;">✘</td></tr> <tr><td>24: 10.2</td><td style="text-align: right;">✘</td></tr> <tr><td>25: 10.5</td><td style="text-align: right;">✘</td></tr> <tr><td>26: 10.3</td><td style="text-align: right;">✘</td></tr> <tr><td>27: 10.3</td><td style="text-align: right;">✘</td></tr> <tr><td>28: 10.5</td><td style="text-align: right;">✘</td></tr> <tr><td>29: 10.5</td><td style="text-align: right;">✘</td></tr> <tr><td>30: 9.8</td><td style="text-align: right;">✘</td></tr> <tr><td colspan="2"> </td></tr> <tr><td>Serie</td><td style="text-align: right;">99.0</td></tr> <tr><td>Total</td><td style="text-align: right;">297.0</td></tr> </table>	21: 10.8	✘	22: 10.2	✘	23: 10.2	✘	24: 10.2	✘	25: 10.5	✘	26: 10.3	✘	27: 10.3	✘	28: 10.5	✘	29: 10.5	✘	30: 9.8	✘			Serie	99.0	Total	297.0
11: 9.8	↙																																																						
12: 10.2	✘																																																						
13: 10.7	✘																																																						
14: 10.8	✘																																																						
15: 10.5	✘																																																						
16: 10.6	✘																																																						
17: 10.0	↙																																																						
18: 10.7	✘																																																						
19: 10.8	✘																																																						
20: 10.1	↙																																																						
Serie	99.0																																																						
Total	198.0																																																						
21: 10.8	✘																																																						
22: 10.2	✘																																																						
23: 10.2	✘																																																						
24: 10.2	✘																																																						
25: 10.5	✘																																																						
26: 10.3	✘																																																						
27: 10.3	✘																																																						
28: 10.5	✘																																																						
29: 10.5	✘																																																						
30: 9.8	✘																																																						
Serie	99.0																																																						
Total	297.0																																																						

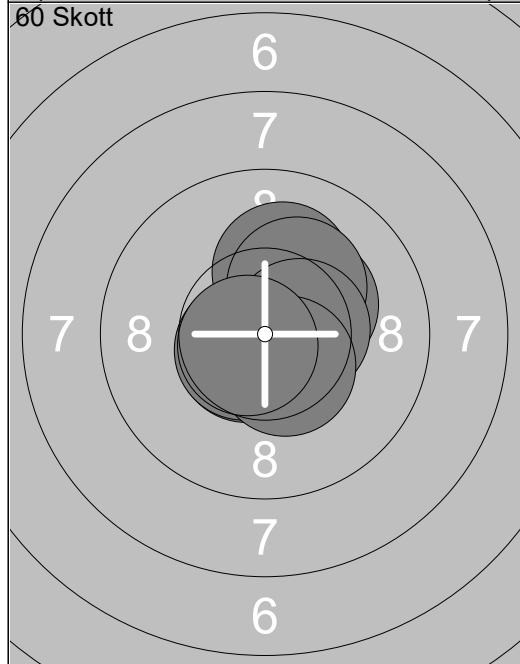
<p>60 Skott</p> 		<table style="width:100%; border-collapse: collapse;"> <tr><td>31: 10.5</td><td style="text-align: right;">✘</td></tr> <tr><td>32: 10.7</td><td style="text-align: right;">✘</td></tr> <tr><td>33: 10.0</td><td style="text-align: right;">↗</td></tr> <tr><td>34: 10.3</td><td style="text-align: right;">✘</td></tr> <tr><td>35: 10.3</td><td style="text-align: right;">✘</td></tr> <tr><td>36: 10.7</td><td style="text-align: right;">↗</td></tr> <tr><td>37: 10.6</td><td style="text-align: right;">✘</td></tr> <tr><td>38: 10.6</td><td style="text-align: right;">✘</td></tr> <tr><td>39: 10.1</td><td style="text-align: right;">↙</td></tr> <tr><td>40: 10.3</td><td style="text-align: right;">✘</td></tr> <tr><td colspan="2"> </td></tr> <tr><td>Serie</td><td style="text-align: right;">100.0</td></tr> <tr><td>Total</td><td style="text-align: right;">397.0</td></tr> </table>	31: 10.5	✘	32: 10.7	✘	33: 10.0	↗	34: 10.3	✘	35: 10.3	✘	36: 10.7	↗	37: 10.6	✘	38: 10.6	✘	39: 10.1	↙	40: 10.3	✘			Serie	100.0	Total	397.0
31: 10.5	✘																											
32: 10.7	✘																											
33: 10.0	↗																											
34: 10.3	✘																											
35: 10.3	✘																											
36: 10.7	↗																											
37: 10.6	✘																											
38: 10.6	✘																											
39: 10.1	↙																											
40: 10.3	✘																											
Serie	100.0																											
Total	397.0																											



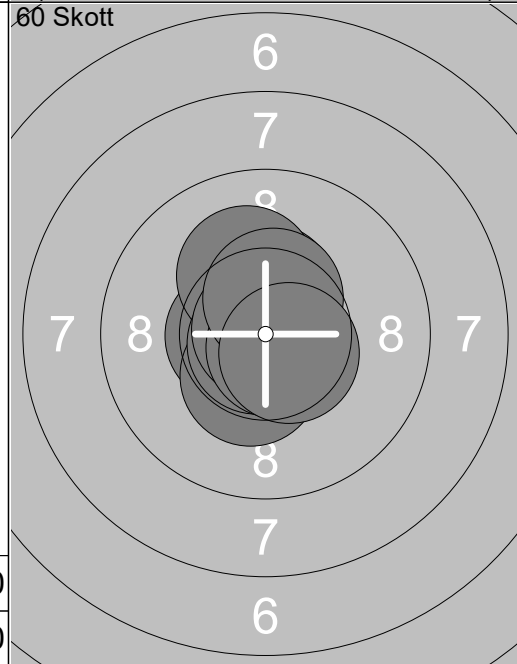
1:	10.5x↘
2:	10.5x↓
3:	10.6x↘
4:	10.3x↘
5:	10.0 ↘
6:	9.7 →
7:	10.0 →
8:	10.5x↓
9:	10.6x↓
10:	10.3x↗
Serie 99.0	
Total 0.0	



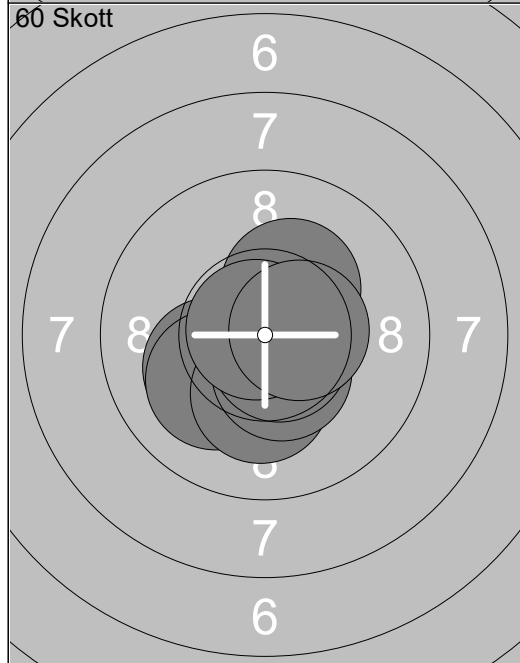
11:	10.8x↗
12:	10.2x→
13:	10.7x↖
Serie 30.0	
Total 0.0	



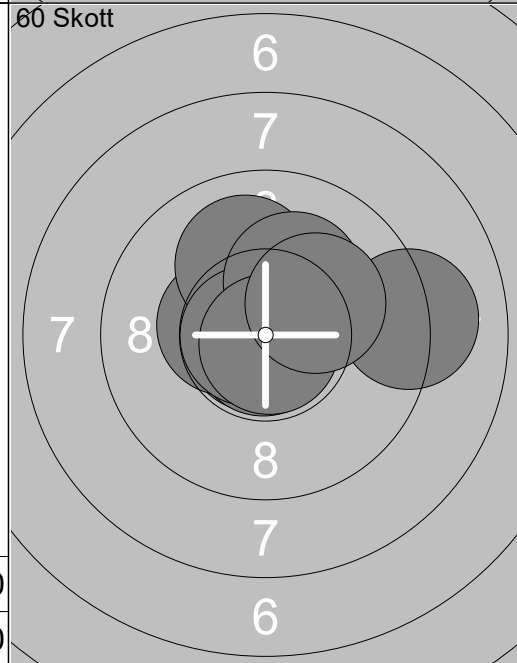
1:	10.7x↗
2:	10.2x↗
3:	10.6x↘
4:	10.3x↗
5:	10.1 ↗
6:	10.2x↗
7:	10.6x↘
8:	10.5x→
9:	10.5x↘
10:	10.7x↘
Serie 100.0	
Total 100.0	



11:	10.6x↖
12:	10.4x↗
13:	10.7x↓
14:	10.2x↘
15:	10.4x↓
16:	10.8x↘
17:	10.9x↘
18:	10.7x↘
19:	10.5x↗
20:	10.6x↘
Serie 100.0	
Total 200.0	



21:	10.2x↘
22:	10.1 ↘
23:	10.2x↓
24:	10.4x↓
25:	10.6x→
26:	10.7x↘
27:	10.7x↗
28:	10.3x↗
29:	10.8x↖
30:	10.5x→
Serie 100.0	
Total 300.0	



31:	10.8x↘
32:	10.8x↓
33:	10.8x↗
34:	10.4x↖
35:	9.1 →
36:	10.0 ↗
37:	10.8x↖
38:	10.2x↗
39:	10.8x↓
40:	10.2x↗
Serie 99.0	
Total 399.0	