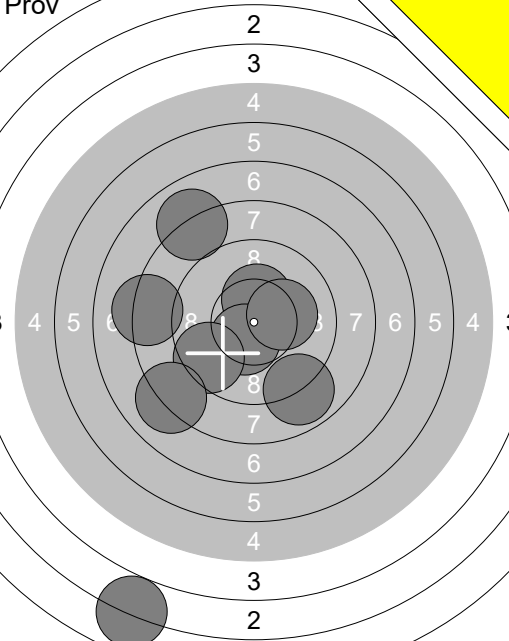
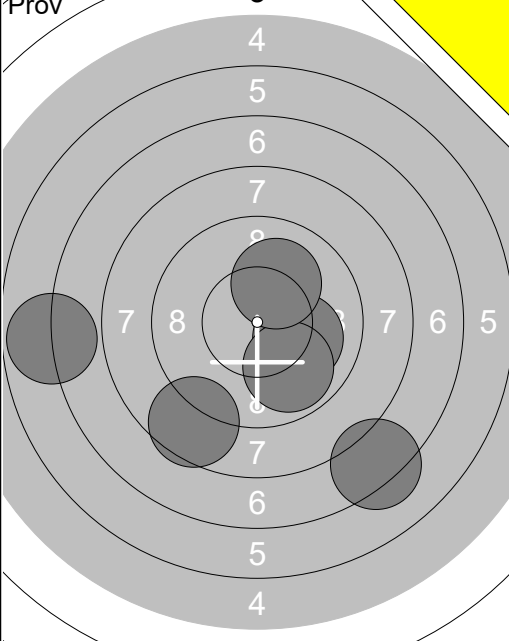
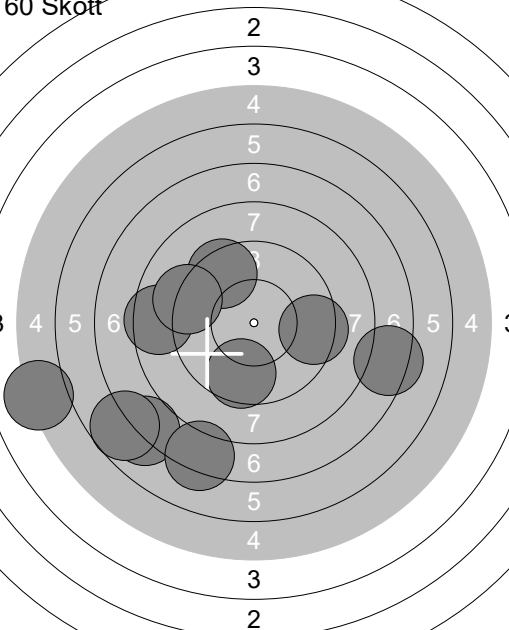
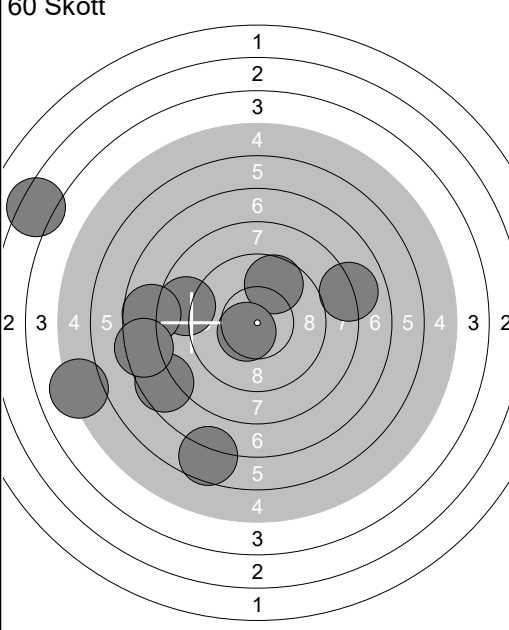
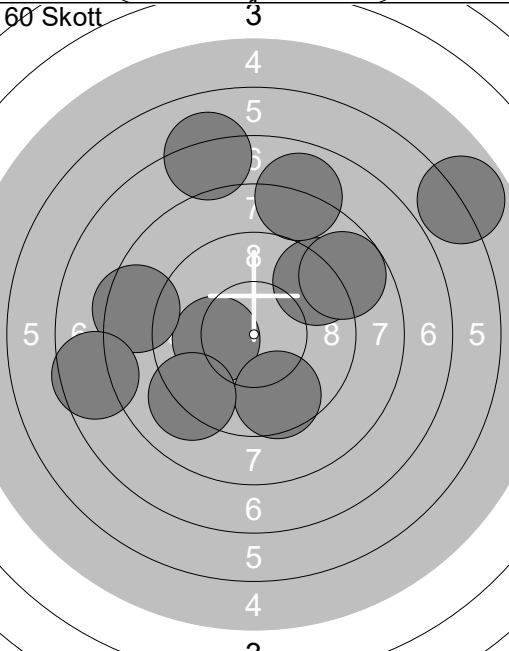
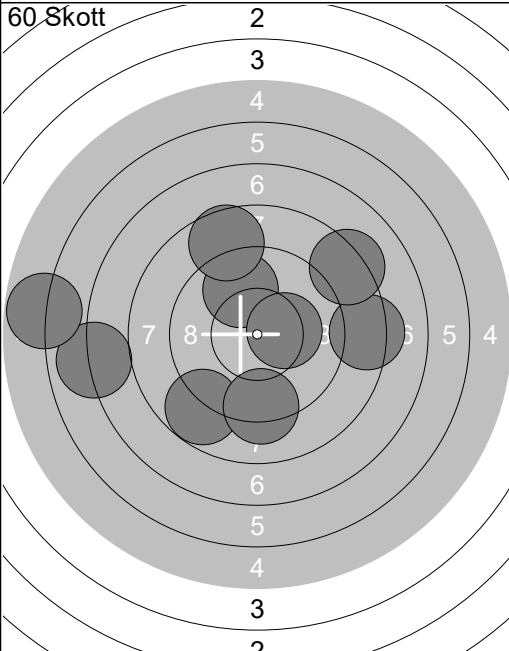
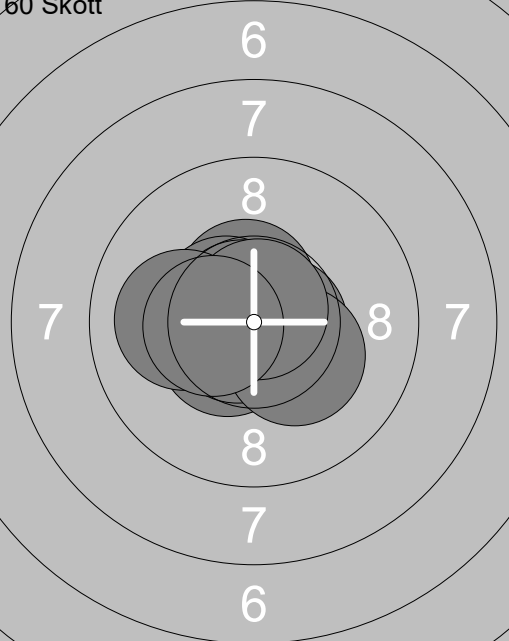
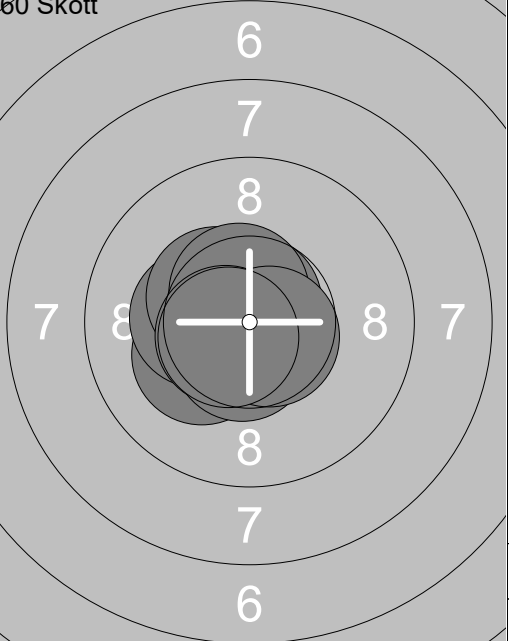


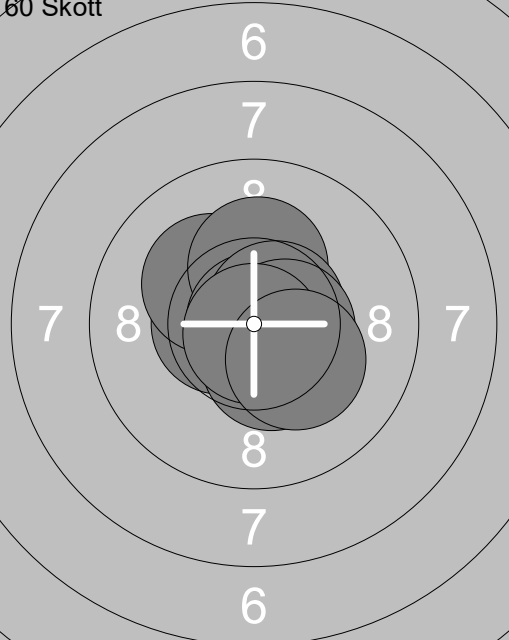
<p>Prov</p> 	<p>1: 10.4x ↗</p> <p>2: 8.0 ↖</p> <p>3: 10.4x ↘</p> <p>4: 8.2 ←</p> <p>5: 9.5 ↙</p> <p>6: 10.2x →</p> <p>7: 2.9 ↓</p> <p>9: 8.9 ↓</p> <p>10: 8.1 ↙</p>	<p>Prov</p> 	<p>11: 10.1 →</p> <p>12: 9.9 ↓</p> <p>13: 8.6 ↙</p> <p>14: 6.9 ←</p> <p>15: 7.3 ↓</p> <p>16: 10.1 ↗</p>
Serie 76.6		Serie 52.9	
Total 0.0		Total 0.0	

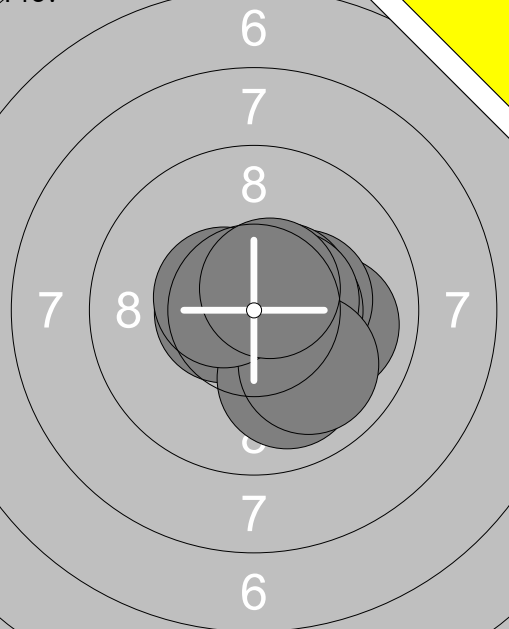
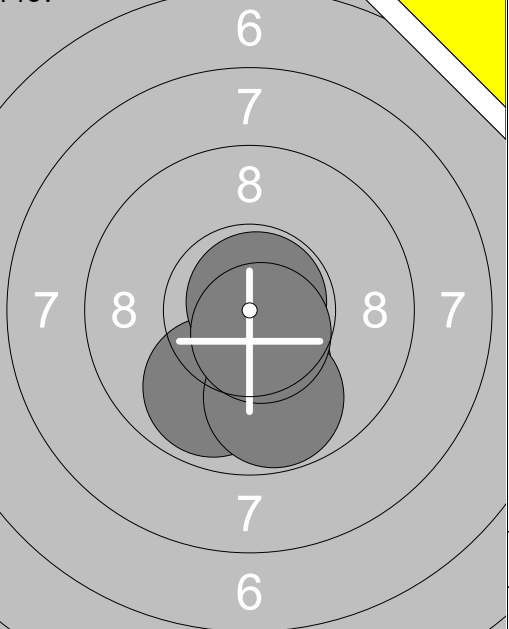
<p>60 Skott</p> 	<p>1: 8.5 ←</p> <p>2: 9.4 →</p> <p>3: 7.4 →</p> <p>4: 7.0 ↙</p> <p>5: 7.3 ↓</p> <p>6: 9.6 ↓</p> <p>7: 5.1 ←</p> <p>8: 9.5 ↗</p> <p>9: 9.1 ←</p> <p>10: 6.7 ↙</p>	<p>60 Skott</p> 	<p>11: 5.1 ←</p> <p>12: 8.7 ←</p> <p>13: 8.0 →</p> <p>14: 3.3 ←</p> <p>15: 7.7 ←</p> <p>16: 7.6 ↙</p> <p>17: 7.4 ←</p> <p>18: 9.7 ↗</p> <p>19: 6.6 ↓</p> <p>20: 10.5x ↘</p>
Serie 79.6		Serie 74.6	
Total 79.6		Total 154.2	

<p>60 Skott</p> 	<p>21: 5.9 ↗</p> <p>22: 10.2x ↖</p> <p>23: 9.3 ↗</p> <p>24: 9.6 ↓</p> <p>25: 8.5 ←</p> <p>26: 7.1 ↗</p> <p>27: 8.8 ↗</p> <p>28: 9.1 ↙</p> <p>29: 8.0 ↗</p> <p>30: 7.6 ←</p>	<p>60 Skott</p> 	<p>31: 7.0 ←</p> <p>32: 9.8 ↗</p> <p>33: 8.6 ↗</p> <p>34: 8.8 ↙</p> <p>35: 9.2 ↓</p> <p>36: 5.8 ←</p> <p>37: 8.3 →</p> <p>38: 10.3x →</p> <p>39: 8.3 ↗</p> <p>40: 0.0</p>
Serie 84.1		Serie 76.1	
Total 238.3		Total 314.4	

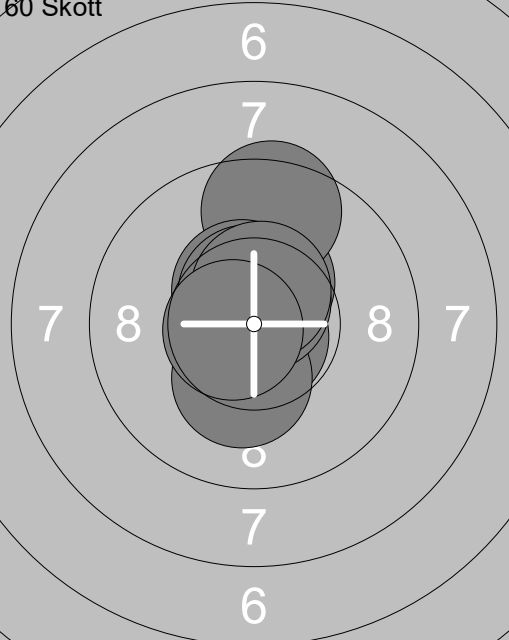
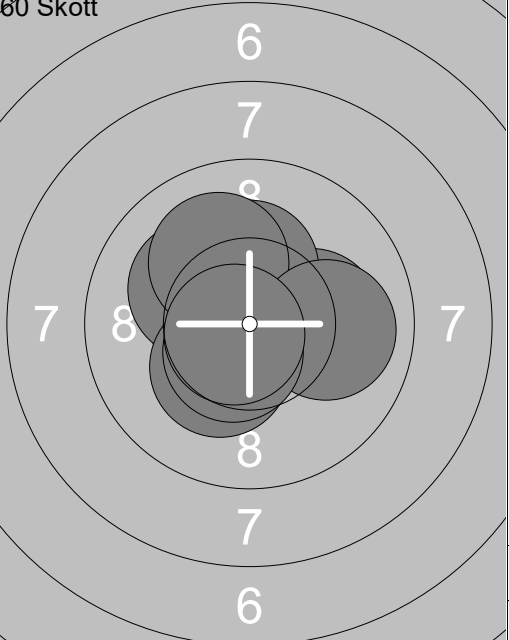
<p>Prov</p> 	<p>1: 10.1 →</p> <p>2: 10.5x →</p> <p>3: 10.7x ↘</p> <p>4: 10.8x ↗</p> <p>5: 10.7x ↗</p> <p>6: 10.3x ↓</p> <p>7: 10.4x ↗</p> <p>8: 10.7x ↓</p> <p>9: 10.5x ↘</p> <p>10: 10.7x ↗</p>	<p>60 Skott</p> 	<p>1: 10.5x →</p> <p>2: 10.7x ↗</p> <p>3: 10.7x ↗</p> <p>4: 10.4x →</p> <p>5: 10.5x ↗</p> <p>6: 10.6x ↗</p> <p>7: 10.8x ↘</p> <p>8: 10.5x ↓</p> <p>9: 10.6x ↘</p> <p>10: 10.5x ↘</p>
Serie 105.4		Serie 105.8	
Total 0.0		Total 105.8	

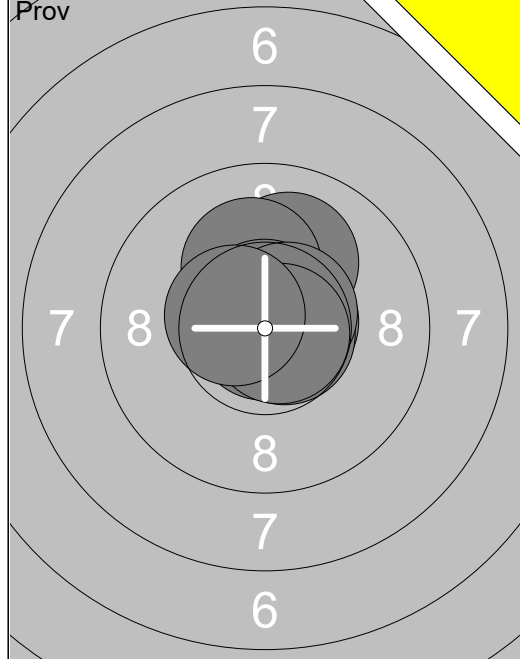
<p>60 Skott</p> 	<p>11: 10.5x ↘</p> <p>12: 10.6x →</p> <p>13: 10.5x ↗</p> <p>14: 10.5x ↘</p> <p>15: 10.7x ↘</p> <p>16: 10.7x ↘</p> <p>17: 10.3x ↘</p> <p>18: 10.8x ↗</p> <p>19: 10.1 ←</p> <p>20: 10.4x ↘</p>	<p>60 Skott</p> 	<p>21: 10.7x ↘</p> <p>22: 10.2x ↘</p> <p>23: 10.3x ↘</p> <p>24: 10.7x ↗</p> <p>25: 10.4x ↘</p> <p>26: 10.6x ↗</p> <p>27: 10.6x ↘</p> <p>28: 10.6x ↓</p> <p>29: 10.6x ↘</p> <p>30: 10.6x ↘</p>
Serie 105.1		Serie 105.3	
Total 210.9		Total 316.2	

<p>60 Skott</p> 	<p>31: 10.5x ←</p> <p>32: 10.2x ↘</p> <p>33: 10.2x ↗</p> <p>34: 10.9x →</p> <p>35: 10.6x →</p> <p>36: 10.4x ↘</p> <p>37: 10.5x →</p> <p>38: 10.4x ↘</p> <p>39: 10.8x ↓</p> <p>40: 10.2x ↘</p>		
Serie 104.7			
Total 420.9			

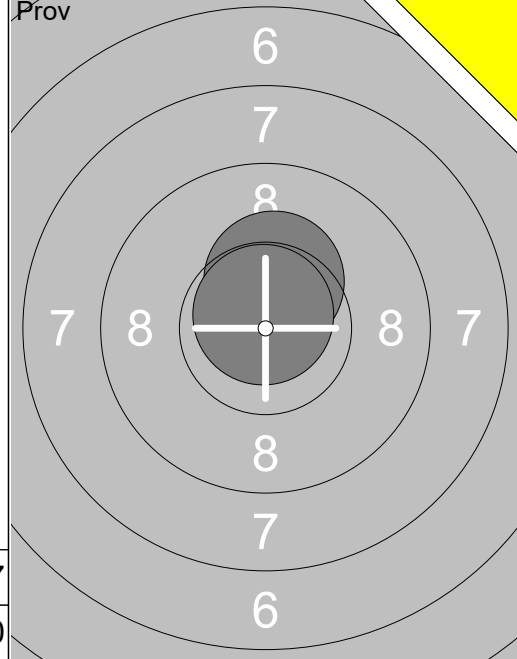
<p>Prov</p> 	<p>1: 10.0 →</p> <p>2: 10.3x →</p> <p>3: 10.5x ↗</p> <p>4: 10.5x →</p> <p>5: 10.6x ←</p> <p>6: 10.5x →</p> <p>7: 10.0 ↓</p> <p>8: 10.0 ↓</p> <p>9: 10.5x ←</p> <p>10: 10.6x ↗</p>	<p>Prov</p> 	<p>11: 10.2x ↓</p> <p>12: 9.9 ↓</p> <p>13: 10.8x ↗</p> <p>14: 9.8 ↓</p> <p>15: 10.6x ↓</p>
Serie 103.5		Serie 51.3	
Total 0.0		Total 0.0	

<p>60 Skott</p> 	<p>1: 10.0 ↗</p> <p>2: 10.0 ↗</p> <p>3: 10.5x ↓</p> <p>4: 10.6x ↓</p> <p>5: 10.2x →</p> <p>6: 10.3x ↙</p> <p>7: 10.7x →</p> <p>8: 10.3x →</p> <p>9: 10.5x →</p> <p>10: 10.7x →</p>	<p>60 Skott</p> 	<p>11: 10.3x ↓</p> <p>12: 10.7x ↓</p> <p>13: 10.5x ↓</p> <p>14: 10.3x →</p> <p>15: 10.8x ↓</p> <p>16: 10.7x →</p> <p>17: 10.5x ↘</p> <p>18: 10.6x ↓</p> <p>19: 10.4x ↓</p> <p>20: 10.1 ↗</p>
Serie 103.8		Serie 104.9	
Total 103.8		Total 208.7	

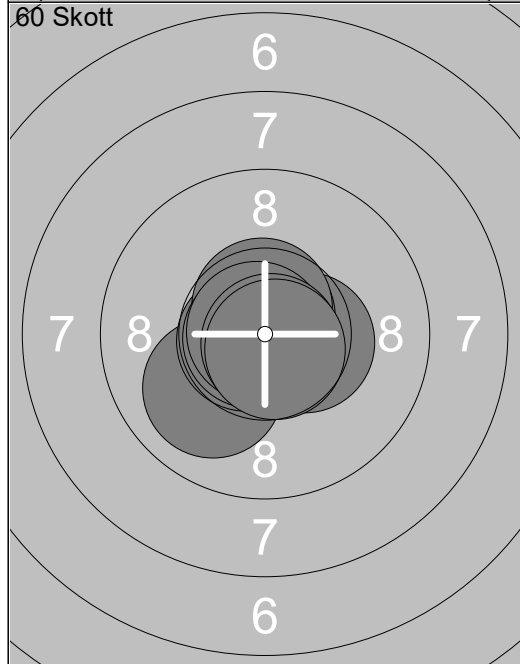
<p>60 Skott</p> 	<p>21: 10.8x ←</p> <p>22: 10.8x ↓</p> <p>23: 10.4x ↗</p> <p>24: 9.5 ↑</p> <p>25: 10.5x ↘</p> <p>26: 10.2x ↓</p> <p>27: 10.6x ↗</p> <p>28: 10.6x ↗</p> <p>29: 10.5x ↗</p> <p>30: 10.7x ←</p>	<p>60 Skott</p> 	<p>31: 10.2x →</p> <p>32: 10.5x ↗</p> <p>33: 10.6x ←</p> <p>34: 10.3x ↗</p> <p>35: 10.2x ↘</p> <p>36: 10.1 ↗</p> <p>37: 10.3x ↙</p> <p>38: 10.0 →</p> <p>39: 10.5x ↓</p> <p>40: 10.7x ↙</p>
Serie 104.6		Serie 103.4	
Total 313.3		Total 416.7	



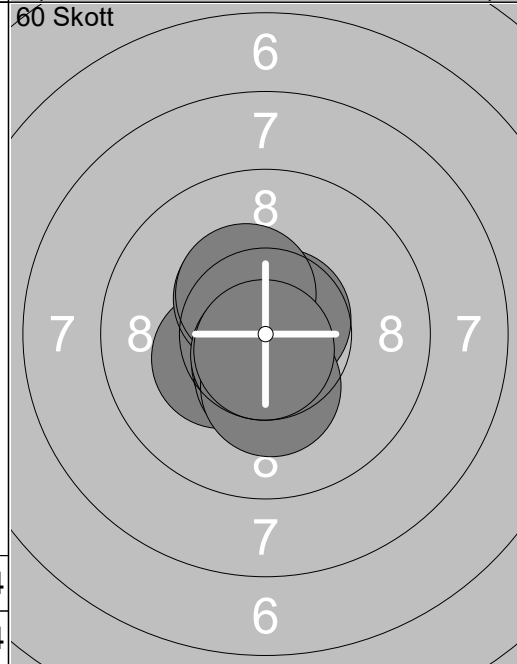
1:	10.1 ↗
2:	10.6x ↗
3:	10.6x →
4:	10.9x ↘
5:	10.7x →
6:	10.2x ↗
7:	10.7x ↗
8:	10.6x ↗
9:	10.8x →
10:	10.5x ↘
Serie 105.7	
Total 0.0	



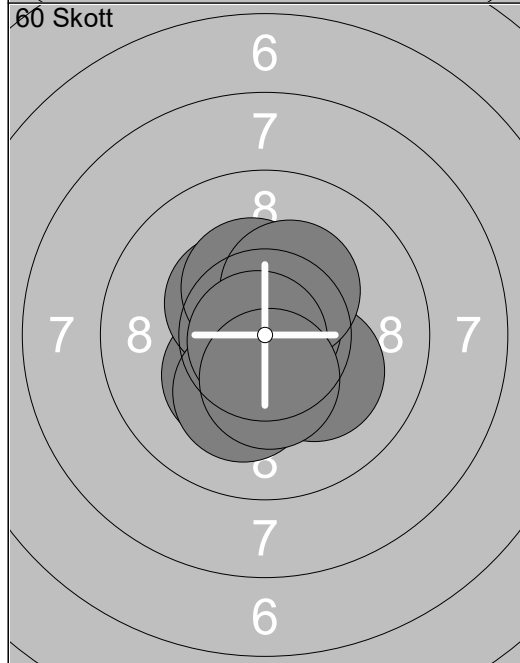
11:	10.3x ↗
12:	10.8x ↗
Serie 21.1	
Total 0.0	



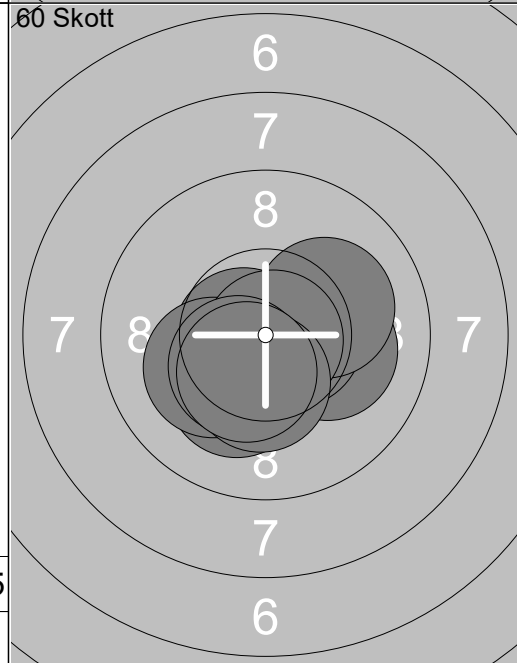
1:	10.0 ↘
2:	10.4x →
3:	10.7x ↗
4:	10.7x ↘
5:	10.9x ↘
6:	10.6x ↗
7:	10.8x ↘
8:	10.8x ↘
9:	10.8x ↘
10:	10.7x ↘
Serie 106.4	
Total 106.4	



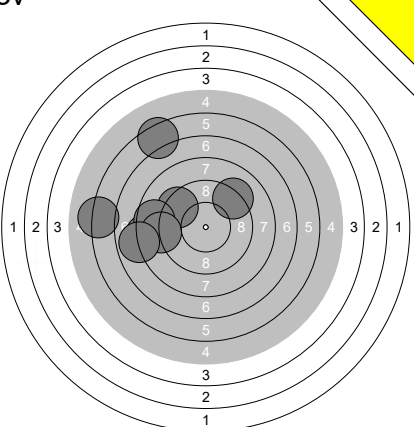
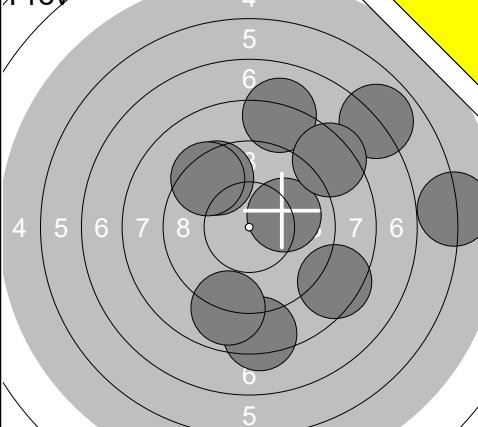
11:	10.7x ↗
12:	10.7x ↘
13:	10.3x ↘
14:	10.6x ↘
15:	10.4x ↘
16:	10.4x ↘
17:	10.4x ↘
18:	10.7x ↘
19:	10.3x ↘
20:	10.7x ↘
Serie 105.2	
Total 211.6	

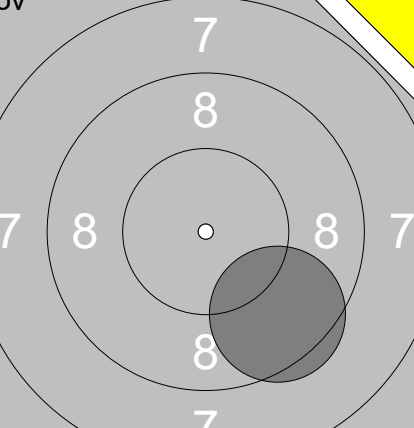
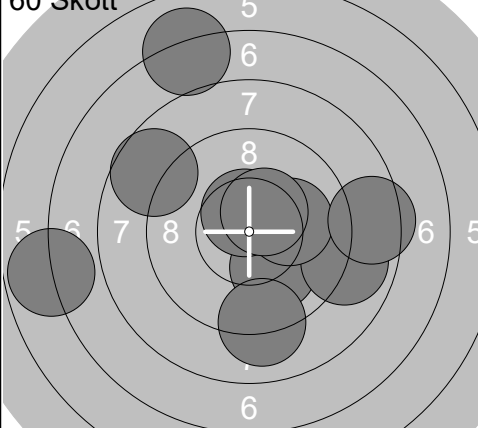


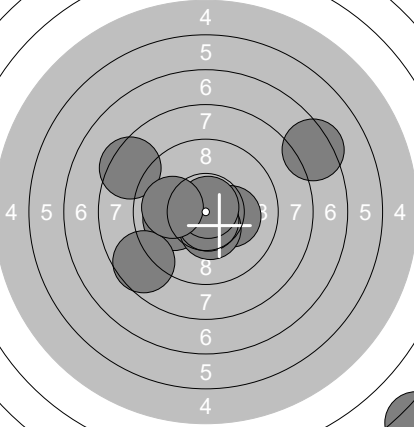
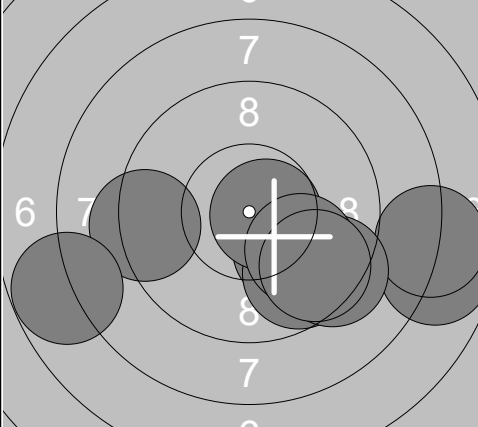
21:	10.2x ↘
22:	10.8x ↗
23:	10.3x ↘
24:	10.8x ↘
25:	10.4x ↘
26:	10.2x ↘
27:	10.3x ↗
28:	10.3x ↗
29:	10.8x ↘
30:	10.4x ↘
Serie 104.5	
Total 316.1	

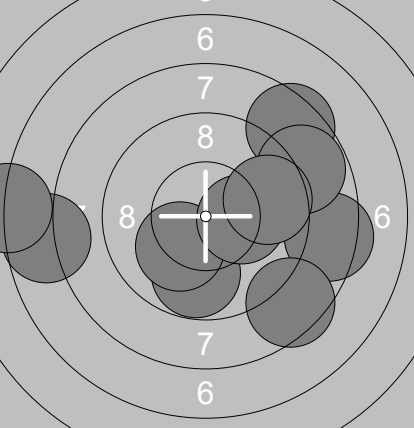


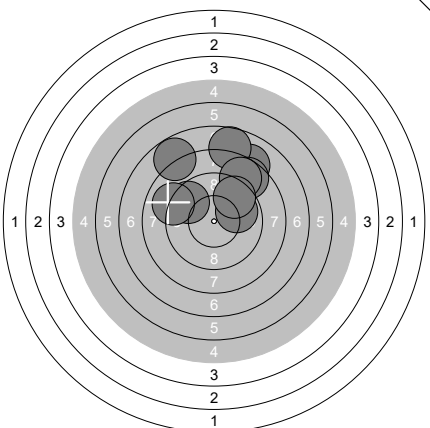
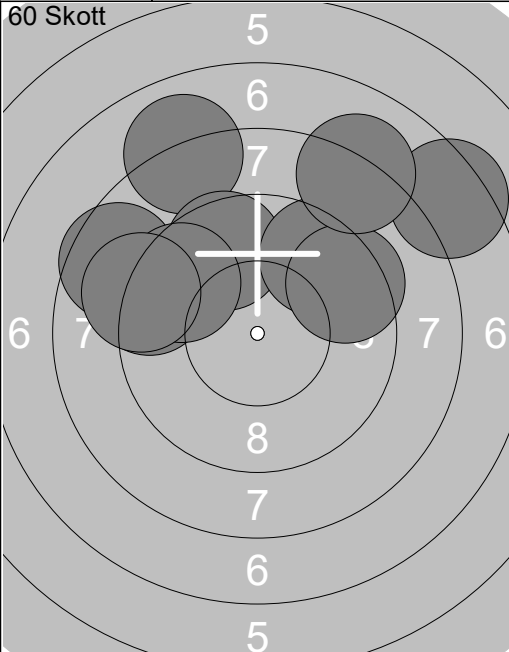
31:	10.7x ↘
32:	10.2x ↘
33:	10.1 →
34:	10.6x →
35:	10.1 →
36:	10.2x ↘
37:	10.8x ↘
38:	10.4x ↘
39:	10.3x ↘
40:	10.4x ↘
Serie 103.8	
Total 419.9	

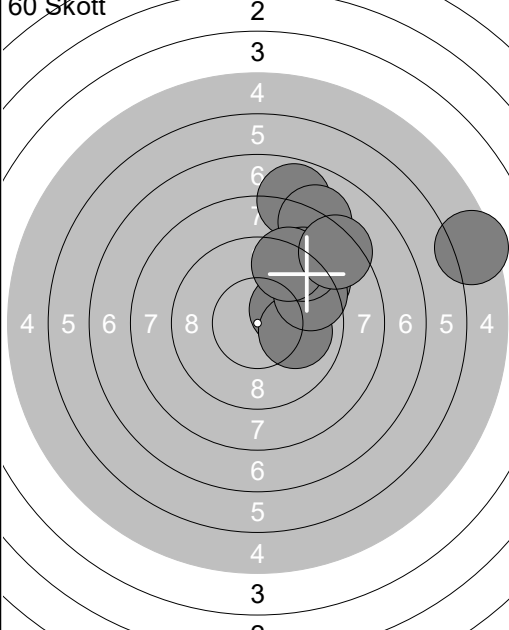
<p>Prov</p> 	<p>1: 8.3 ←</p> <p>2: 0.0 ←</p> <p>3: 9.4 ↗</p> <p>4: 8.6 ←</p> <p>5: 6.1 ←</p> <p>6: 9.0 ←</p> <p>7: 6.4 ↗</p> <p>8: 0.0 ↓</p> <p>9: 9.2 ↗</p> <p>10: 7.9 ←</p>	<p>Prov</p> 	<p>11: 8.3 ↓</p> <p>12: 5.9 →</p> <p>13: 8.9 ↓</p> <p>14: 8.1 ↑</p> <p>15: 9.5 ↗</p> <p>16: 8.5 ↓</p> <p>17: 6.9 ↗</p> <p>18: 10.1 →</p> <p>19: 8.4 ↗</p> <p>20: 9.4 ↗</p>
Serie 64.9		Serie 84.0	
Total 0.0		Total 0.0	

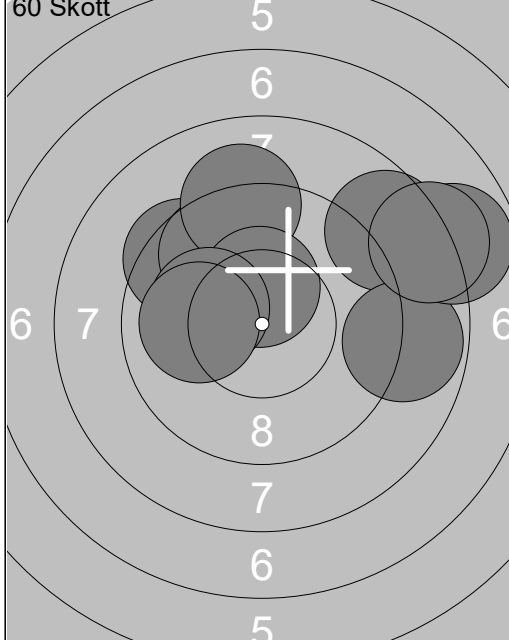
<p>Prov</p> 	<p>21: 9.5 ↓</p>	<p>60 Skott</p> 	<p>1: 7.1 ↗</p> <p>2: 10.1 ↓</p> <p>3: 8.9 →</p> <p>4: 10.1 →</p> <p>5: 6.8 ←</p> <p>6: 8.4 →</p> <p>7: 8.7 ↗</p> <p>8: 10.6x ↑</p> <p>9: 9.1 ↓</p> <p>10: 10.4x ↗</p>
Serie 9.5		Serie 90.2	
Total 0.0		Total 90.2	

<p>60 Skott</p> 	<p>11: 10.2x →</p> <p>12: 10.0 ←</p> <p>13: 8.6 ←</p> <p>14: 10.5x ↓</p> <p>15: 2.4 ↓</p> <p>16: 7.4 ↗</p> <p>17: 10.7x ↓</p> <p>18: 10.8x ↑</p> <p>19: 8.4 ↗</p> <p>20: 10.0 ←</p>	<p>60 Skott</p> 	<p>21: 9.3 ←</p> <p>22: 7.8 ←</p> <p>23: 10.1 ↓</p> <p>24: 7.8 →</p> <p>25: 9.7 ↓</p> <p>26: 10.7x →</p> <p>27: 8.0 →</p> <p>28: 9.3 ↓</p> <p>29: 9.9 ↓</p> <p>30: 9.6 ↓</p>
Serie 89.0		Serie 92.2	
Total 179.2		Total 271.4	

<p>60 Skott</p> 	<p>31: 8.4 →</p> <p>32: 9.8 ↓</p> <p>33: 10.1 ↓</p> <p>34: 7.7 ←</p> <p>35: 8.5 ↗</p> <p>36: 8.8 ↗</p> <p>37: 10.2x →</p> <p>38: 6.9 ←</p> <p>39: 8.5 ↓</p> <p>40: 9.6 →</p>		
Serie 88.5			
Total 359.9			

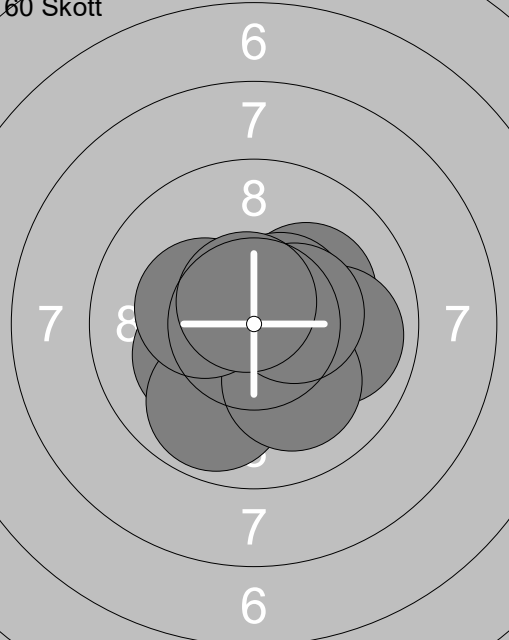
<p>Prov</p> 	<p>1: 7.8 ↖</p> <p>2: 8.1 ↗</p> <p>3: 7.7 ↑</p> <p>4: 0.0 ←</p> <p>5: 9.6 ↖</p> <p>6: 8.6 ↗</p> <p>7: 9.0 ↖</p> <p>8: 9.9 →</p> <p>9: 8.8 ↗</p> <p>10: 9.6 ↗</p>	<p>60 Skott</p>  <p>1: 7.4 ↗</p> <p>2: 8.0 ↖</p> <p>3: 9.6 ↖</p> <p>4: 9.2 ↖</p> <p>5: 9.5 ↗</p> <p>6: 8.6 ↖</p> <p>7: 9.6 ↖</p> <p>8: 9.4 ↗</p> <p>9: 8.1 ↗</p> <p>10: 9.1 ↖</p>
	Serie 79.1	Serie 88.5
	Total 0.0	Total 88.5

<p>60 Skott</p> 	<p>11: 6.3 →</p> <p>12: 9.5 ↓</p> <p>13: 5.5 →</p> <p>14: 10.4x↑</p> <p>15: 6.8 →</p> <p>16: 10.4x↗</p> <p>17: 8.5 ↗</p> <p>18: 10.0 →</p> <p>19: 8.0 ↖</p> <p>20: 9.6 ↗</p>	<p>60 Skott</p>  <p>21: 7.8 ↑</p> <p>22: 8.1 ↗</p> <p>23: 10.2x↗</p> <p>24: 5.4 →</p> <p>25: 10.0 →</p> <p>26: 9.3 ↗</p> <p>27: 9.5 ↗</p> <p>28: 9.1 ↗</p> <p>29: 9.3 ↗</p> <p>30: 8.4 ↗</p>
	Serie 85.0	Serie 87.1
	Total 173.5	Total 260.6

<p>60 Skott</p> 	<p>31: 9.4 ↖</p> <p>32: 9.7 ↖</p> <p>33: 9.1 ↑</p> <p>34: 10.4x↑</p> <p>35: 8.6 ↗</p> <p>36: 8.8 →</p> <p>37: 7.9 →</p> <p>38: 8.2 →</p> <p>39: 10.1 ↖</p> <p>40: 10.0 ←</p>	
	Serie 92.2	
	Total 352.8	

<p>Prov</p> 	<p>1: 8.1 ↑</p> <p>2: 7.9 ↑</p> <p>3: 9.2 ↑</p> <p>4: 8.1 ↗</p> <p>5: 9.9 ↑</p> <p>6: 8.9 →</p> <p>7: 10.1 ↖</p> <p>8: 10.3x↑</p> <p>9: 10.0 ↘</p>	<p>60 Skott</p> 		<p>1: 10.7x↖</p> <p>2: 9.9 →</p> <p>3: 10.1→</p> <p>4: 9.8 ↘</p> <p>5: 9.4 →</p> <p>6: 9.9 ↘</p> <p>7: 10.1 ↗</p> <p>8: 10.1↖</p> <p>9: 9.8 →</p> <p>10: 10.6x↓</p>
Serie 82.5				Serie 100.4
Total 0.0				Total 100.4

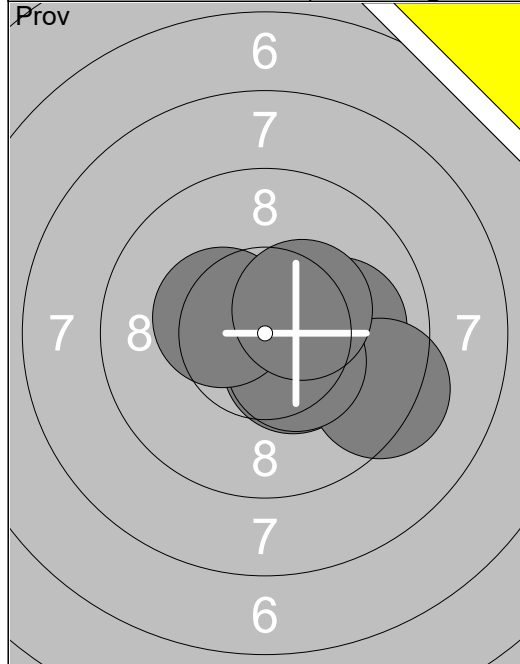
<p>60 Skott</p> 	<p>11: 10.2x></p> <p>12: 10.0 ↖</p> <p>13: 9.8 ↗</p> <p>14: 10.7x↑</p> <p>15: 10.2x↖</p> <p>16: 10.4x↓</p> <p>17: 10.7x></p> <p>18: 10.6x></p> <p>19: 9.9 →</p> <p>20: 9.5 ↗</p>	<p>60 Skott</p> 		<p>21: 10.6x↑</p> <p>22: 10.3x↖</p> <p>23: 9.4 →</p> <p>24: 10.1 ↗</p> <p>25: 10.2x↖</p> <p>26: 10.4x></p> <p>27: 10.3x↖</p> <p>28: 10.0 ↓</p> <p>29: 10.5x↖</p> <p>30: 10.4x></p>
Serie 102.0				Serie 102.2
Total 202.4				Total 304.6

<p>60 Skott</p> 	<p>31: 10.2x↖</p> <p>32: 10.2x></p> <p>33: 10.2x↗</p> <p>34: 9.8 ↘</p> <p>35: 10.5x↗</p> <p>36: 9.9 →</p> <p>37: 10.1 ↘</p> <p>38: 10.4x></p> <p>39: 10.3x↖</p> <p>40: 10.7x↑</p>	
Serie 102.3		
Total 406.9		

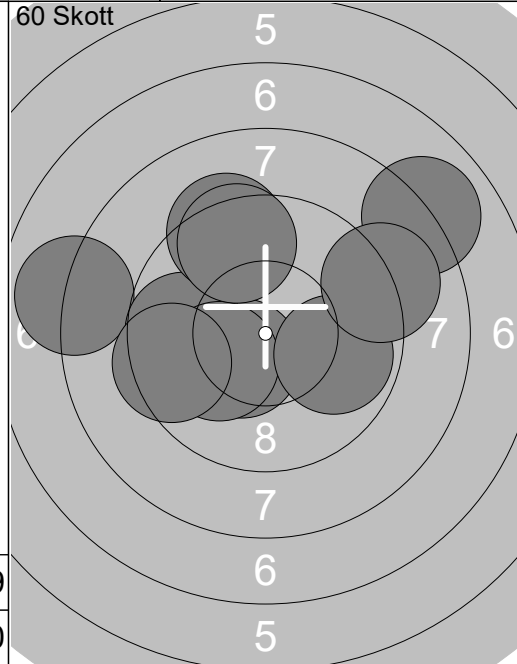
Prov 	1: 9.8 → 2: 9.8 → 3: 10.6x ↓ 4: 10.1 → 5: 10.1 → 6: 10.1 → 7: 10.1 → 8: 9.9 ← 9: 10.6x ↓ 10: 10.6x ←	Prov 	11: 10.7x ↗ 12: 10.8x ↗ 13: 10.4x → 14: 10.5x ↓ 15: 10.7x ↓ 16: 10.5x ↗ 17: 10.2x ↗ 18: 10.8x ↗
	Serie 101.7		Serie 84.6
	Total 0.0		Total 0.0

60 Skott 	1: 10.5x ↗ 2: 10.6x ↓ 3: 10.5x ↘ 4: 10.9x ← 5: 10.4x ↘ 6: 10.5x ↘ 7: 10.3x → 8: 10.4x ↗ 9: 10.5x ↗ 10: 10.4x ↘	60 Skott 	11: 10.6x ↗ 12: 10.0 ↓ 13: 10.8x ← 14: 10.2x → 15: 10.4x ↘ 16: 10.5x ↘ 17: 10.7x ↓ 18: 10.5x → 19: 10.6x ↗ 20: 10.3x ↓
	Serie 105.0		Serie 104.6
	Total 105.0		Total 209.6

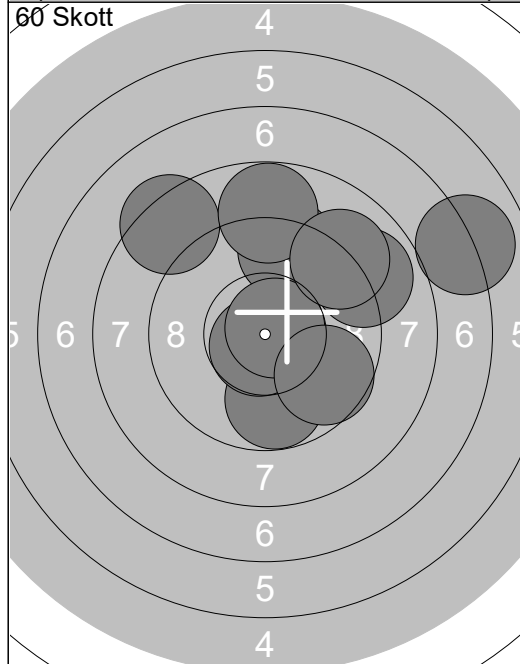
60 Skott 	21: 10.6x ↓ 22: 10.1 → 23: 10.4x ↗ 24: 10.0 ↓ 25: 10.3x ↓ 26: 10.4x ← 27: 10.4x ↘ 28: 9.9 → 29: 10.2x ↗ 30: 10.9x ↘	60 Skott 	31: 10.8x ↗ 32: 10.5x ← 33: 10.5x ↘ 34: 10.6x → 35: 10.4x ↘ 36: 10.4x ← 37: 10.3x ↗ 38: 10.3x ↗ 39: 10.4x ← 40: 10.4x ↘
	Serie 103.2		Serie 104.6
	Total 312.8		Total 417.4



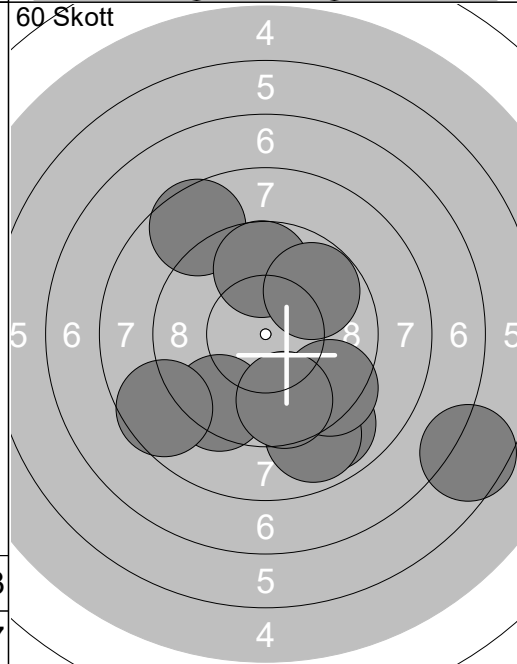
Serie	60.9
Total	0.0



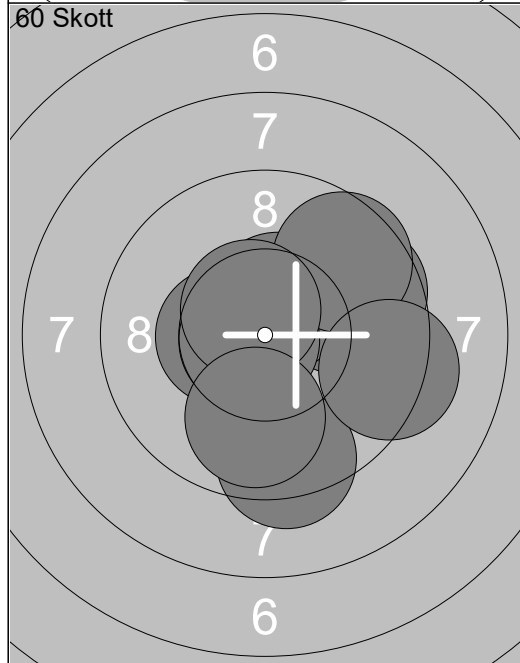
Serie	93.4
Total	93.4



Serie	92.3
Total	185.7



Serie	89.6
Total	275.3



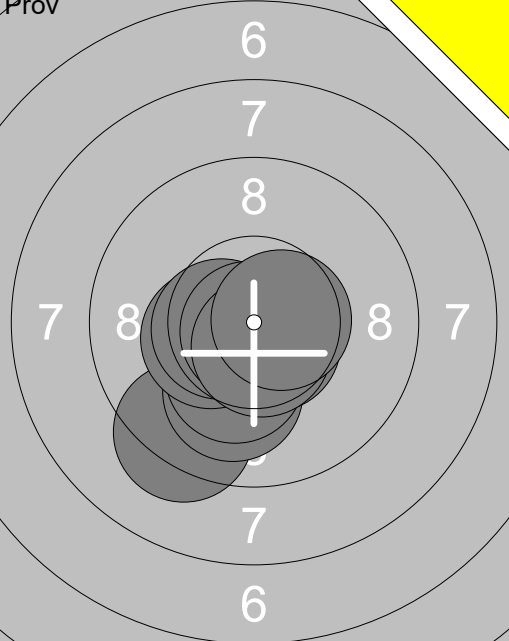
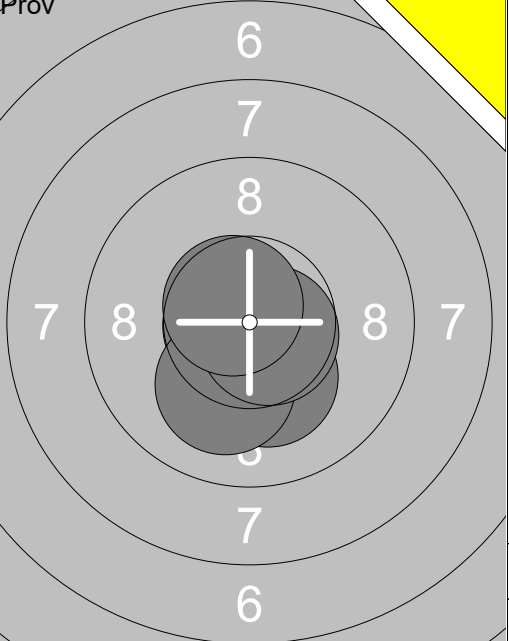
Serie	99.9
Total	375.2

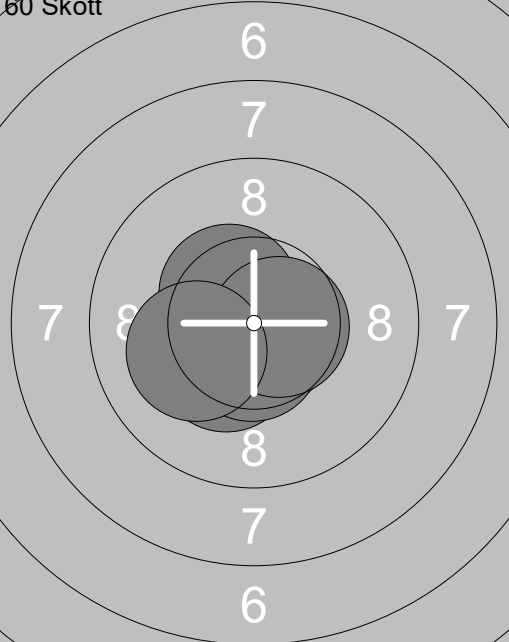
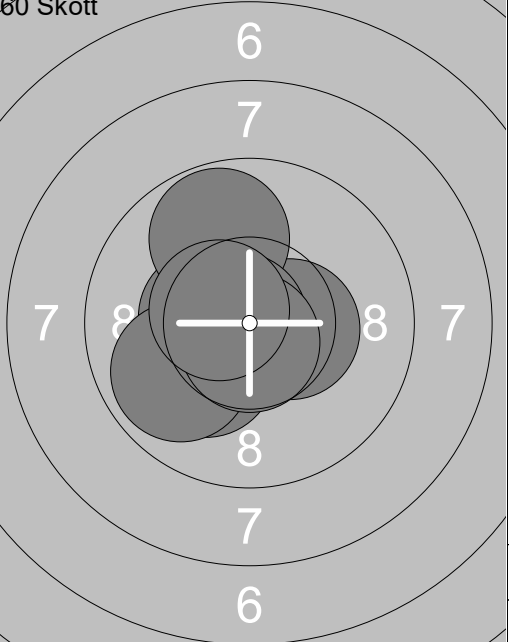
<p>Pröv</p>	<p>1: 10.2x ↗ 2: 10.7x ↘ 3: 10.9x ← 4: 9.5 ↘ 5: 10.7x ↗ 6: 10.6x ← 7: 10.2x ↘ 8: 9.9 ↘ 9: 10.7x ↘ 10: 9.8 ↘</p> <p>Serie 103.2 Total 0.0</p>	<p>Pröv</p>	<p>11: 10.5x ↘ 12: 10.3x ↘ 13: 10.1 → 14: 10.8x → 15: 10.7x ↗ 16: 10.6x ↑ 17: 10.5x ↗ 18: 10.8x ↗ 19: 10.8x ↗ 20: 10.4x ↘</p> <p>Serie 105.5 Total 0.0</p>
--------------------	---	--------------------	---

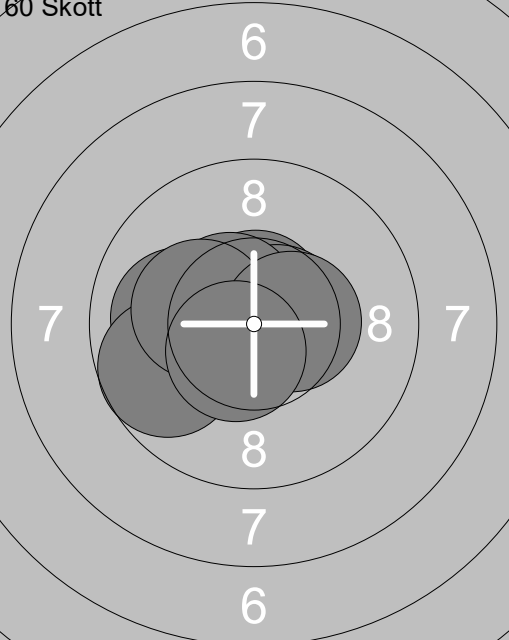
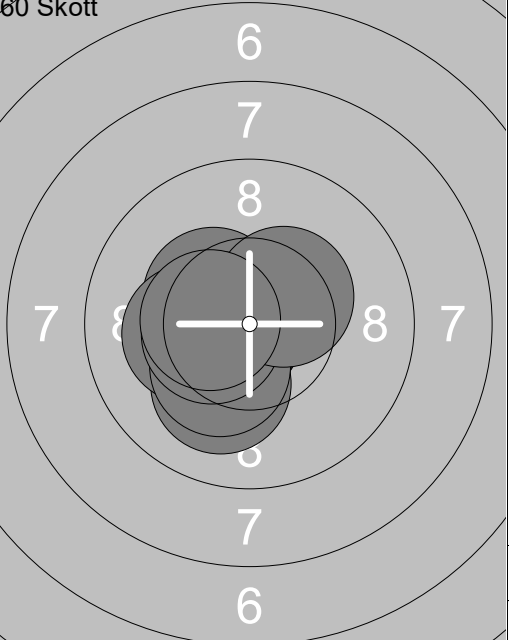
<p>Pröv</p>	<p>21: 10.3x ↑ 22: 10.5x ↗</p> <p>Serie 20.8 Total 0.0</p>	<p>60 Skott</p>	<p>1: 10.1 ← 2: 10.0 ↗ 3: 9.6 ↑ 4: 10.5x ↗ 5: 10.3x ↗ 6: 10.5x ↘ 7: 9.8 → 8: 9.6 ↗ 9: 9.7 ↘ 10: 10.1 ↗</p> <p>Serie 100.2 Total 100.2</p>
--------------------	--	------------------------	--

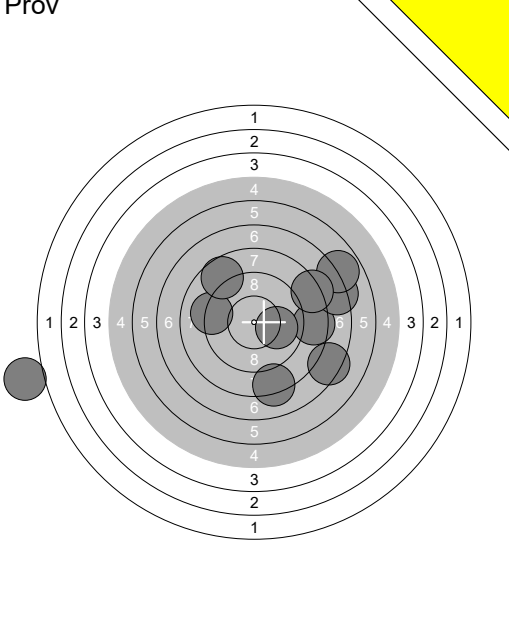
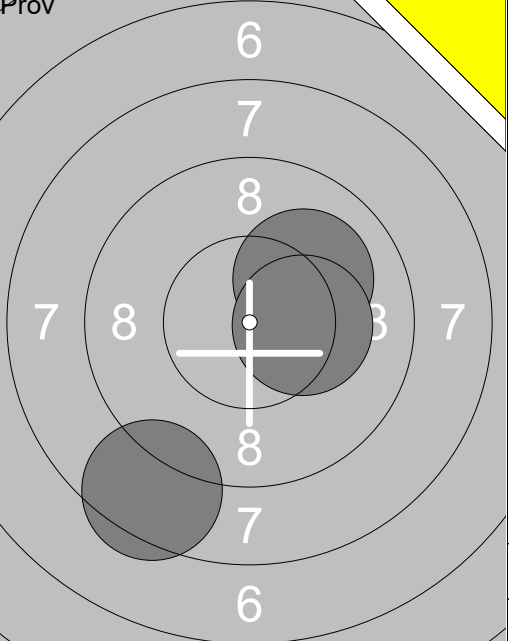
<p>60 Skott</p>	<p>11: 10.6x ← 12: 10.2x ↗ 13: 10.0 ↑ 14: 10.4x ↗ 15: 10.6x ↗ 16: 10.4x → 17: 10.1 ↘ 18: 10.4x ↗ 19: 10.2x → 20: 10.3x →</p> <p>Serie 103.2 Total 203.4</p>	<p>60 Skott</p>	<p>21: 10.6x ← 22: 10.0 ← 23: 10.5x ← 24: 10.6x ↘ 25: 9.8 ↘ 26: 10.7x ↘ 27: 10.6x ← 28: 10.3x ← 29: 10.5x ← 30: 10.3x ↘</p> <p>Serie 103.9 Total 307.3</p>
------------------------	--	------------------------	---

<p>60 Skott</p>	<p>31: 9.5 ↑ 32: 9.9 ↘ 33: 10.3x ← 34: 10.8x ↘ 35: 10.2x ← 36: 9.7 ↗ 37: 10.6x ← 38: 10.0 ↗ 39: 9.8 ← 40: 10.3x ↗</p> <p>Serie 101.1 Total 408.4</p>		
------------------------	---	--	--

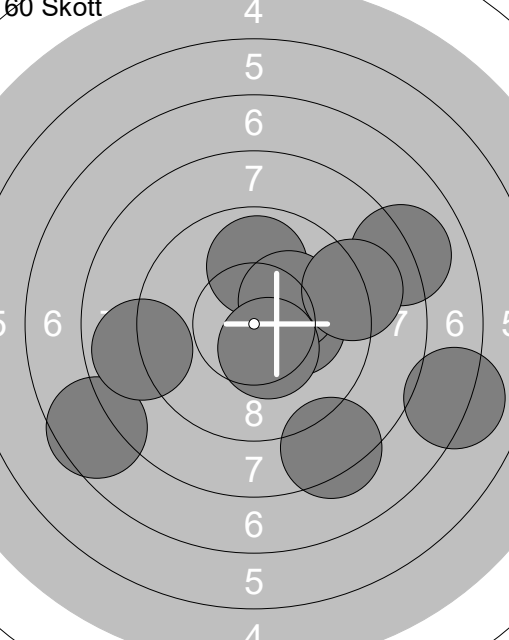
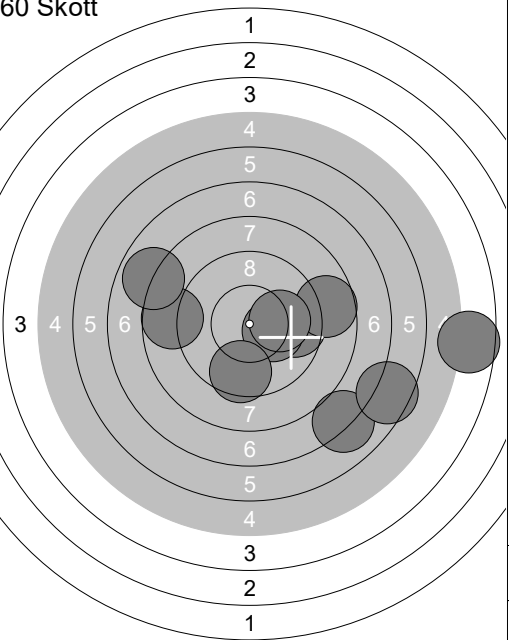
<p>Prov</p> 	<p>1: 9.3 ↘ 2: 10.6x↓ 3: 10.0 ↓ 4: 10.3x↓ 5: 10.4x↔ 6: 10.5x↔ 7: 10.8x↓ 8: 10.6x↘ 9: 10.6x↓ 10: 10.6x➔</p>	<p>Prov</p> 	<p>11: 10.7x↔ 12: 10.2x↓ 13: 10.1 ↓ 14: 10.7x↔ 15: 10.7x↔</p>
Serie 103.7	Serie 52.4		
Total 0.0	Total 0.0		

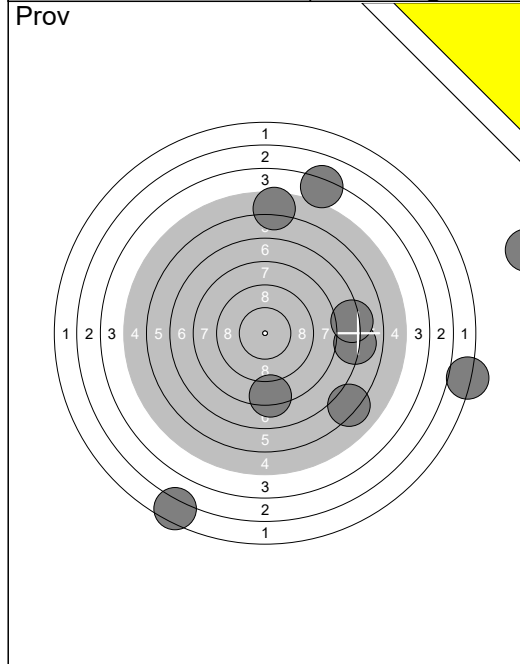
<p>60 Skott</p> 	<p>1: 10.6x↓ 2: 10.7x↓ 3: 10.3x↓ 4: 10.7x↘ 5: 10.4x↔ 6: 10.7x↔ 7: 10.6x↓ 8: 10.5x↔ 9: 10.6x➔ 10: 10.1 ↙</p>	<p>60 Skott</p> 	<p>11: 10.4x↔ 12: 10.8x↔ 13: 10.4x➔ 14: 10.3x↓ 15: 9.8 ↗ 16: 10.2x↓ 17: 10.8x↔ 18: 9.9 ↙ 19: 10.7x↓ 20: 10.5x↔</p>
Serie 105.2	Serie 103.8		
Total 105.2	Total 209.0		

<p>60 Skott</p> 	<p>21: 10.7x↔ 22: 10.7x↔ 23: 10.6x↗ 24: 10.0 ↙ 25: 10.6x➔ 26: 10.5x↔ 27: 9.7 ↙ 28: 10.3x↔ 29: 10.5x➔ 30: 10.5x↓</p>	<p>60 Skott</p> 	<p>31: 10.7x↔ 32: 10.4x↔ 33: 10.1 ↓ 34: 10.5x↓ 35: 10.2x↔ 36: 10.3x↓ 37: 10.5x↔ 38: 10.4x↔ 39: 10.4x↗ 40: 10.4x↔</p>
Serie 104.1	Serie 103.9		
Total 313.1	Total 417.0		

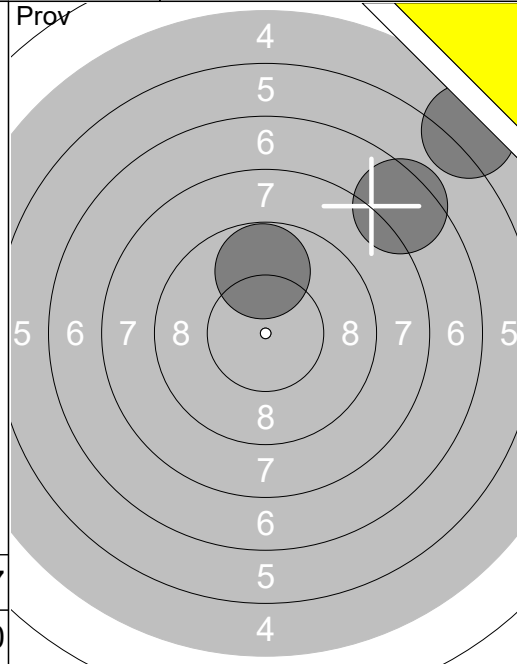
	<p>1: 8.5 →</p> <p>2: 1.0 ←</p> <p>3: 7.4 →</p> <p>4: 7.3 →</p> <p>5: 10.0 →</p> <p>6: 8.2 ↓</p> <p>7: 6.8 →</p> <p>8: 9.1 ←</p> <p>9: 8.2 →</p> <p>10: 8.7 ↖</p>		<p>11: 10.1 ↗</p> <p>12: 8.5 ↓</p> <p>13: 10.3x →</p>
Serie 75.2		Serie 28.9	
Total 0.0		Total 0.0	

	<p>1: 9.6 →</p> <p>2: 9.5 ←</p> <p>3: 9.3 ↗</p> <p>4: 8.4 →</p> <p>5: 4.7 →</p> <p>6: 10.3x ↖</p> <p>7: 8.5 ←</p> <p>8: 8.3 ←</p> <p>9: 7.8 ←</p> <p>10: 9.4 ↖</p>		<p>11: 10.3x ↘</p> <p>12: 9.5 →</p> <p>13: 10.5x ↖</p> <p>14: 10.2x ↘</p> <p>15: 8.5 ↓</p> <p>16: 8.9 ↖</p> <p>17: 7.8 ←</p> <p>18: 9.7 →</p> <p>19: 10.3x ↘</p> <p>20: 7.0 →</p>
Serie 85.8		Serie 92.7	
Total 85.8		Total 178.5	

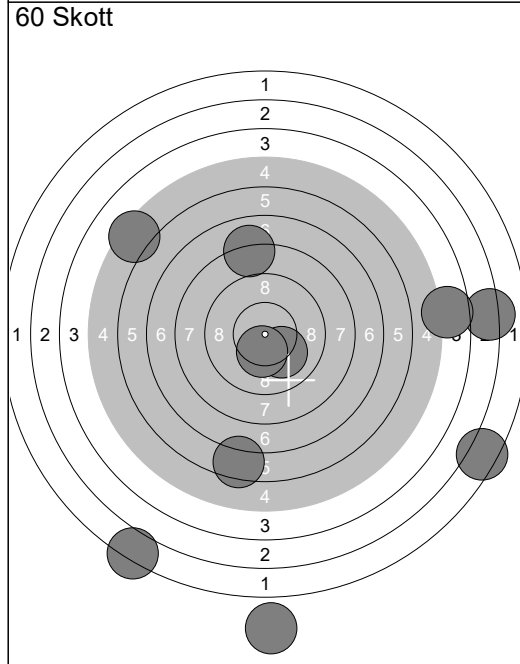
	<p>21: 9.9 ↑</p> <p>22: 10.2x →</p> <p>23: 7.1 →</p> <p>24: 10.2x ↗</p> <p>25: 7.6 ←</p> <p>26: 8.1 →</p> <p>27: 9.1 →</p> <p>28: 8.3 ↓</p> <p>29: 8.9 ←</p> <p>30: 10.4x ↘</p>		<p>31: 7.1 ↓</p> <p>32: 8.7 ←</p> <p>33: 9.6 →</p> <p>34: 8.7 →</p> <p>35: 10.3x →</p> <p>36: 6.5 →</p> <p>37: 7.9 ←</p> <p>38: 4.6 →</p> <p>39: 9.6 ↓</p> <p>40: 10.1 →</p>
Serie 89.8		Serie 83.1	
Total 268.3		Total 351.4	



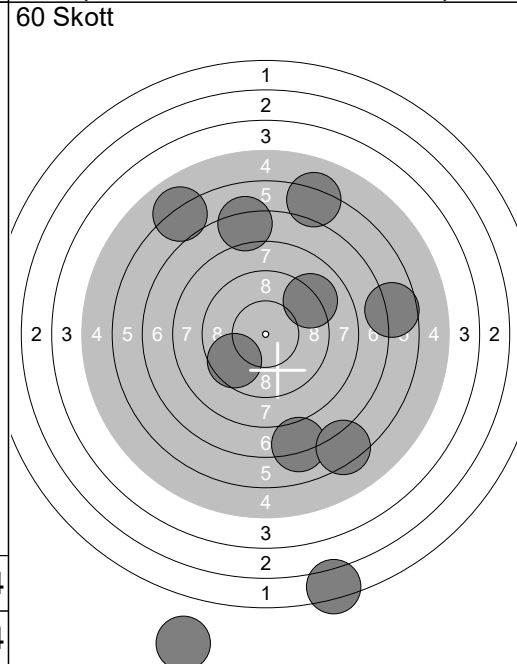
1: 6.2 ↘
2: 7.0 →
3: 2.4 ↙
4: 0.0 →
5: 2.0 →
6: 7.2 →
7: 8.2 ↘
8: 4.2 ↗
9: 0.0 →
10: 5.5 ↑
Serie 42.7
Total 0.0



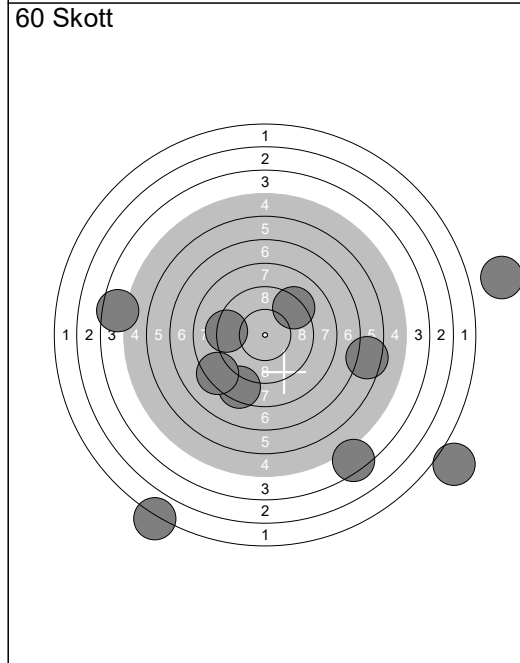
11: 7.5 ↗
12: 9.8 ↑
13: 5.5 ↗
Serie 22.8
Total 0.0



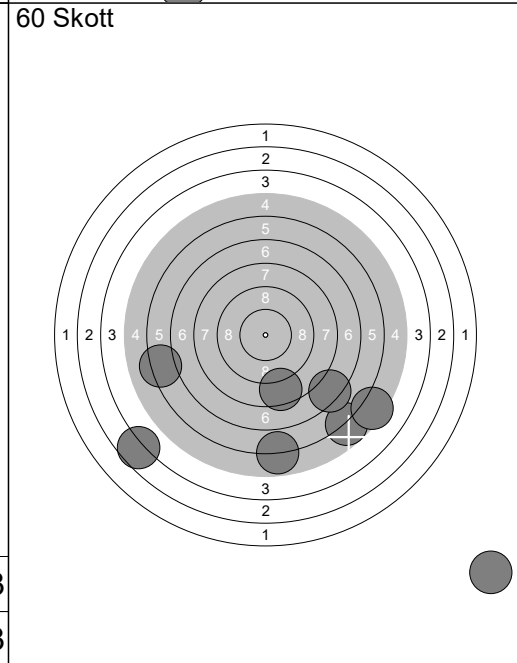
1: 0.0 ↓
2: 2.4 ↘
3: 6.4 ↘
4: 10.1 ↘
5: 8.0 ↑
6: 3.2 →
7: 5.3 ↗
8: 4.6 →
9: 2.1 ↘
10: 10.3x ↘
Serie 52.4
Total 52.4



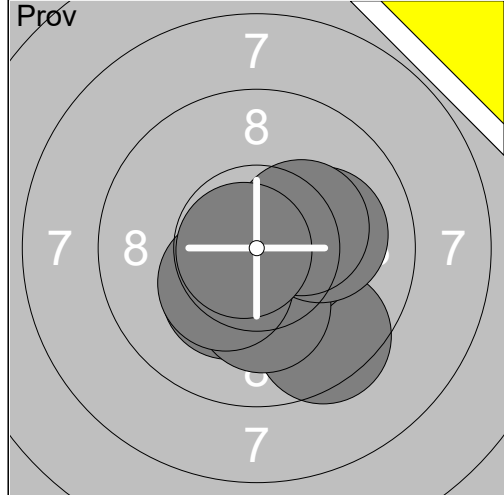
11: 6.2 ↑
12: 9.1 ↗
13: 7.1 ↘
14: 0.0 ↓
15: 6.4 ↘
16: 2.3 ↓
17: 7.2 ↑
18: 6.7 →
19: 6.0 ↗
20: 9.6 ↙
Serie 60.6
Total 113.0



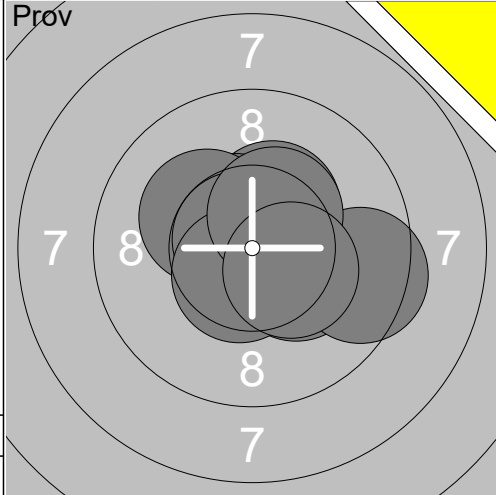
21: 0.0 →
22: 9.3 ↗
23: 9.3 ←
24: 6.4 →
25: 4.5 ←
26: 4.3 ↘
27: 1.7 ↘
28: 8.4 ↘
29: 1.1 ↘
30: 8.3 ↙
Serie 53.3
Total 166.3



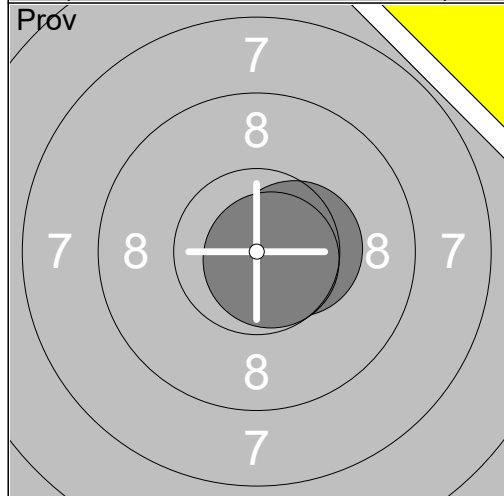
31: 5.8 ↓
32: 3.6 ↙
33: 8.5 ↓
34: 0.0 →
35: 5.8 ↘
36: 0.0 ↓
37: 6.2 ←
38: 5.4 ↘
39: 0.0 ↓
40: 7.3 ↘
Serie 42.6
Total 208.9



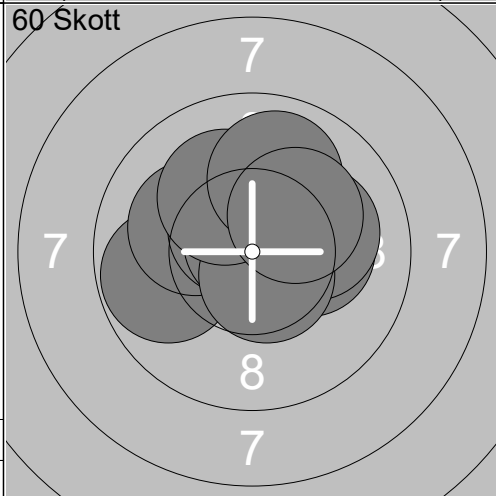
1:	10.4x	↙
2:	10.4x	↘
3:	9.5	↘
4:	10.5x	→
5:	10.3x	↙
6:	10.2x	↘
7:	10.1	→
8:	10.3x	↗
9:	10.3x	↙
10:	10.8x	←
Serie		102.8
Total		0.0



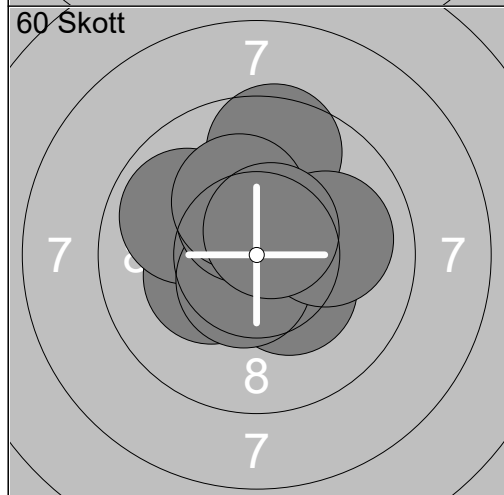
11:	10.4x	↗
12:	10.3x	↘
13:	10.5x	↗
14:	10.2x	↗
15:	10.8x	↗
16:	10.8x	↘
17:	10.6x	↘
18:	9.5	→
19:	10.4x	↗
20:	10.4x	↘
Serie		103.9
Total		0.0



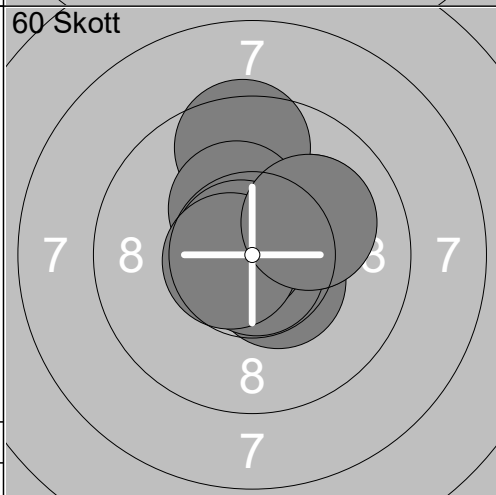
21:	10.4x	→
22:	10.7x	↘
Serie		21.1
Total		0.0



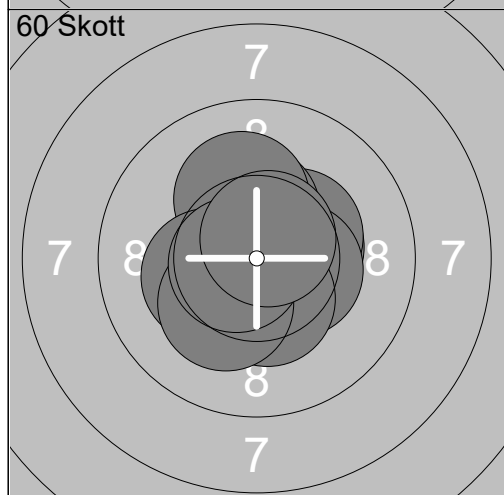
1:	9.8	←
2:	10.1	←
3:	10.2x	→
4:	10.1	→
5:	10.6x	↗
6:	10.8x	↑
7:	10.6x	↘
8:	10.1	↗
9:	9.9	↑
10:	10.2x	↗
Serie		102.4
Total		102.4



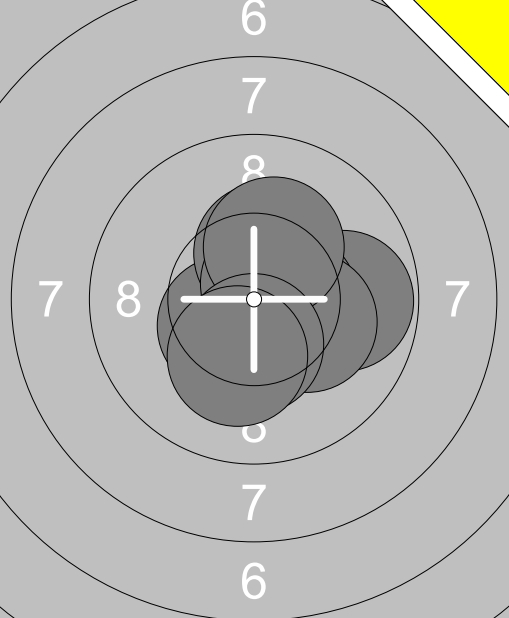
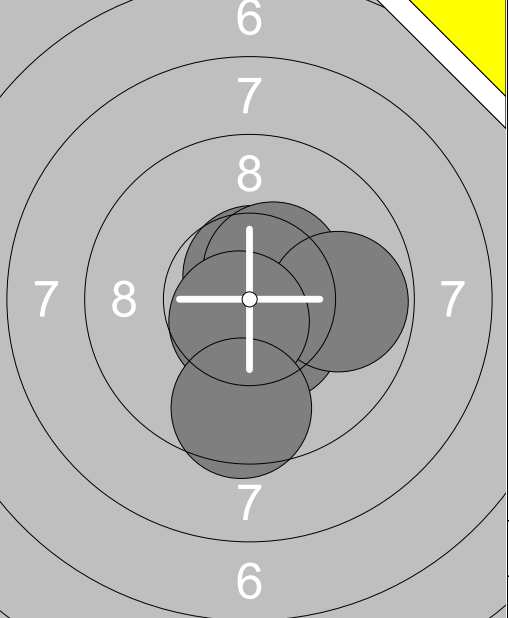
11:	10.5x	←
12:	10.3x	←
13:	9.9	↖
14:	10.3x	↘
15:	10.6x	↘
16:	9.6	↑
17:	10.0	→
18:	10.4x	↑
19:	10.2x	↑
20:	10.6x	↗
Serie		102.4
Total		204.8



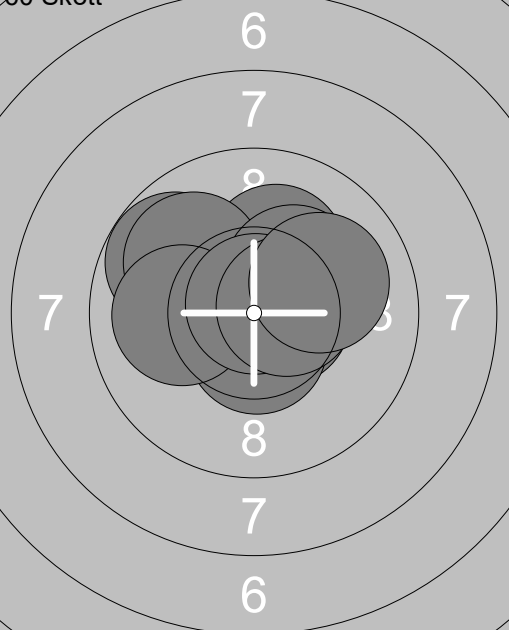
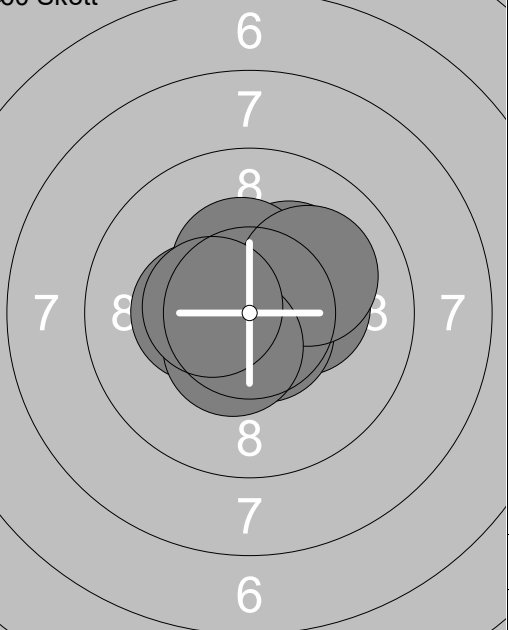
21:	10.5x	↘
22:	10.8x	↑
23:	10.1	↗
24:	9.5	↑
25:	10.7x	↗
26:	10.3x	↖
27:	10.8x	↘
28:	10.8x	↖
29:	10.7x	←
30:	10.1	↗
Serie		104.3
Total		309.1

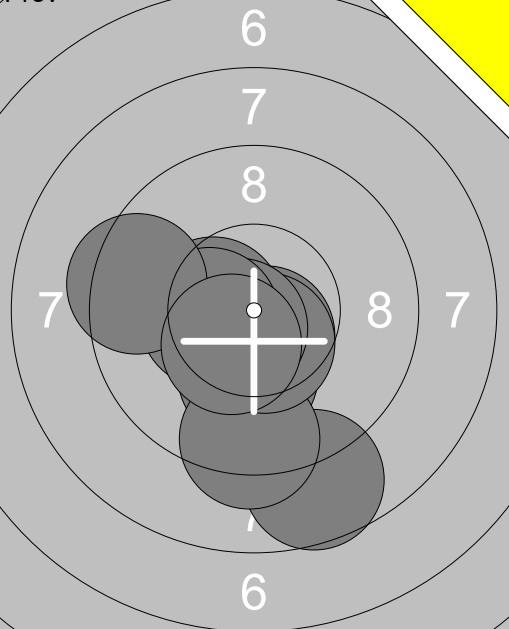
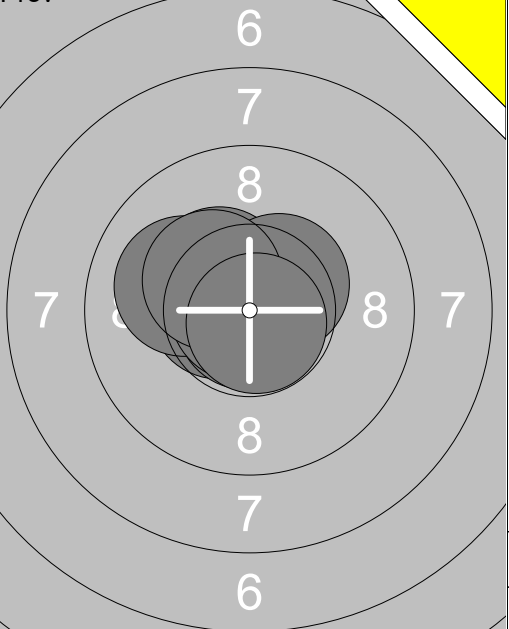


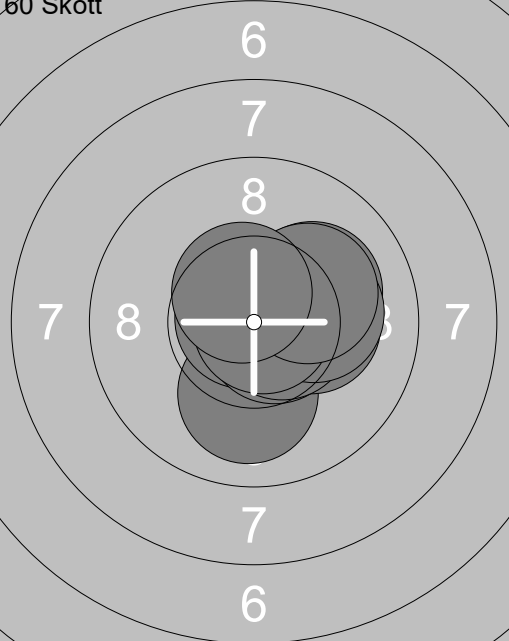
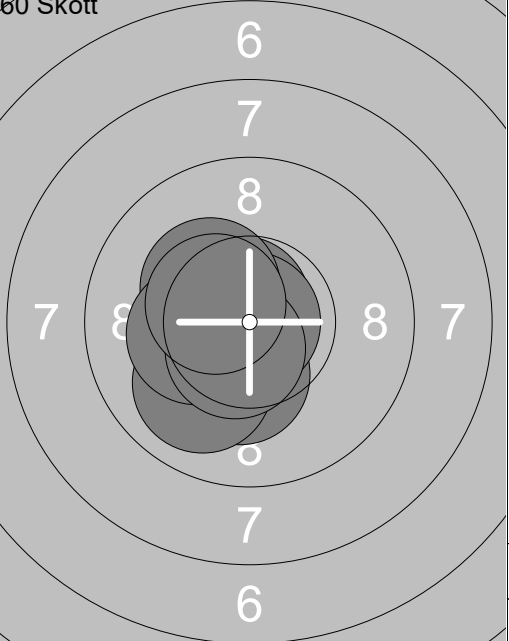
31:	10.4x	→
32:	10.4x	↗
33:	10.3x	↑
34:	10.4x	→
35:	10.4x	↘
36:	10.1	↑
37:	10.3x	←
38:	10.2x	↘
39:	10.7x	←
40:	10.6x	↗
Serie		103.8
Total		412.9

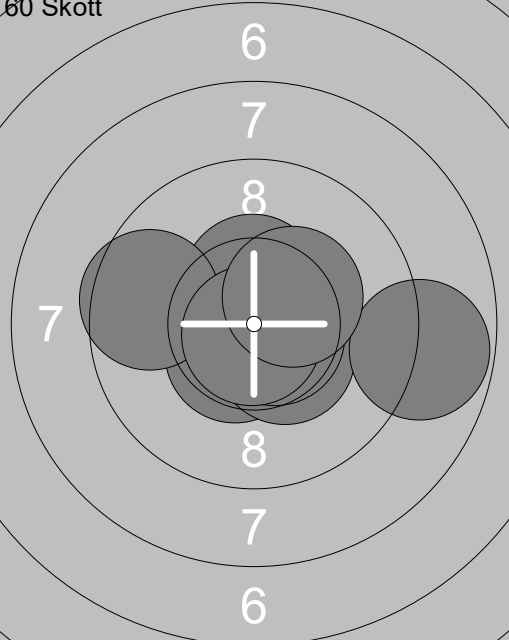
Prov 	1: 10.5x ↘ 2: 10.6x ➤ 3: 9.8 ➔ 4: 10.5x ➤ 5: 10.3x ↗ 6: 10.7x ↗ 7: 10.2x ➤ 8: 10.2x ↗ 9: 10.4x ↓ 10: 10.2x ↓ <hr/> Serie 103.4 Total 0.0	Prov 	11: 10.9x ↓ 12: 10.4x ↘ 13: 10.6x ↗ 14: 10.5x ↗ 15: 9.8 ➔ 16: 10.6x ↓ 17: 9.6 ↓ <hr/> Serie 72.4 Total 0.0
--	---	--	--

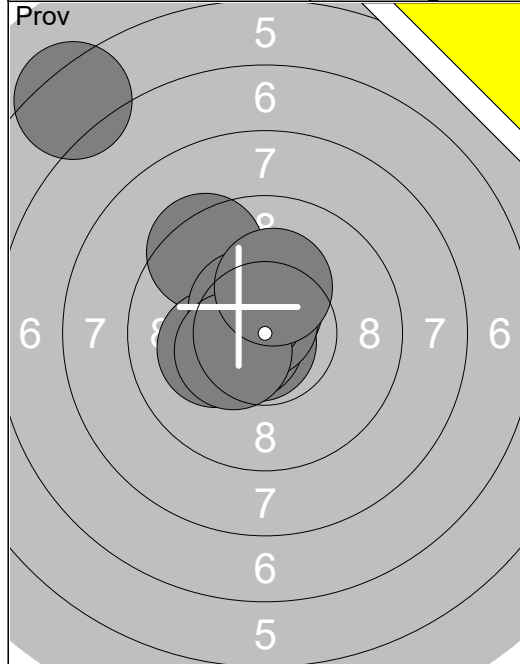
60 Skott 	1: 10.2x ↘ 2: 10.3x ↓ 3: 10.2x ↓ 4: 10.1 ↓ 5: 10.1 ↑ 6: 10.7x ↘ 7: 9.8 ↓ 8: 9.3 ↙ 9: 10.4x ↗ 10: 10.5x ↘ <hr/> Serie 101.6 Total 101.6	60 Skott 	11: 10.9x ↘ 12: 10.3x ↓ 13: 10.2x ↘ 14: 9.4 ↖ 15: 10.3x ↓ 16: 10.3x ↓ 17: 10.1 ↓ 18: 10.3x ↗ 19: 9.7 ↙ 20: 10.4x ↗ <hr/> Serie 101.9 Total 203.5
---	---	---	---

60 Skott 	21: 9.8 ↖ 22: 10.2x ↗ 23: 9.9 ↖ 24: 10.6x ➤ 25: 10.3x ↗ 26: 10.5x ↓ 27: 10.0 ↙ 28: 10.8x ↗ 29: 10.5x ➤ 30: 10.0 ➔ <hr/> Serie 102.6 Total 306.1	60 Skott 	31: 10.3x ➤ 32: 10.3x ↘ 33: 10.7x ↓ 34: 10.8x ➤ 35: 10.2x ↗ 36: 10.6x ↘ 37: 10.4x ↗ 38: 10.1 ➔ 39: 10.5x ↓ 40: 10.5x ↘ <hr/> Serie 104.4 Total 410.5
--	--	--	---

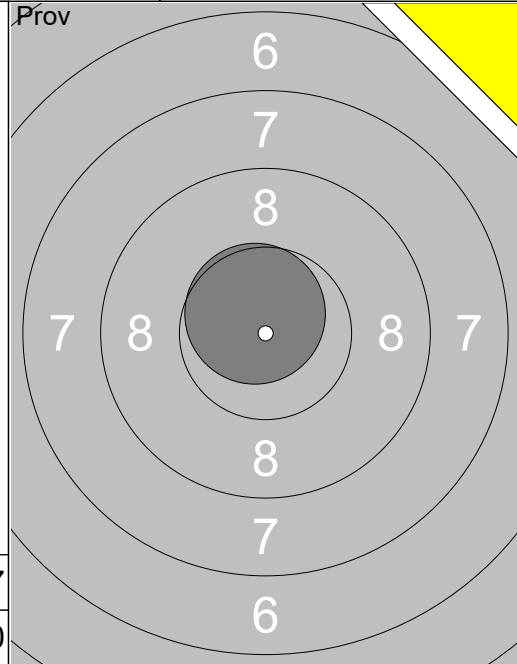
Prov 	1: 8.7 ↓ 2: 10.6x ↓ 3: 10.1 ↓ 4: 9.3 ↓ 5: 10.5x ↓ 6: 10.4x ↗ 7: 10.6x ↘ 8: 10.4x ↗ 9: 9.4 ← 10: 10.4x ↘ <hr/> Serie 100.4 Total 0.0	Prov 	11: 10.6x ↗ 12: 10.8x ↘ 13: 10.1 ↗ 14: 10.8x ↗ 15: 10.4x ↗ 16: 10.4x ↗ 17: 10.3x ↗ 18: 10.8x ↘ <hr/> Serie 84.2 Total 0.0
--	--	--	--

60 Skott 	1: 10.0 ↓ 2: 10.8x ↗ 3: 10.1 ↗ 4: 10.6x ↘ 5: 10.2x ↘ 6: 10.6x ↘ 7: 10.2x ↘ 8: 10.8x ↘ 9: 10.2x ↗ 10: 10.5x ↗ <hr/> Serie 104.0 Total 104.0	60 Skott 	11: 10.7x ↗ 12: 10.3x ↘ 13: 10.5x ↘ 14: 10.0 ↓ 15: 10.9x ↘ 16: 10.5x ↗ 17: 10.3x ↗ 18: 10.3x ↗ 19: 10.6x ↘ 20: 10.5x ↗ <hr/> Serie 104.6 Total 208.6
---	---	---	---

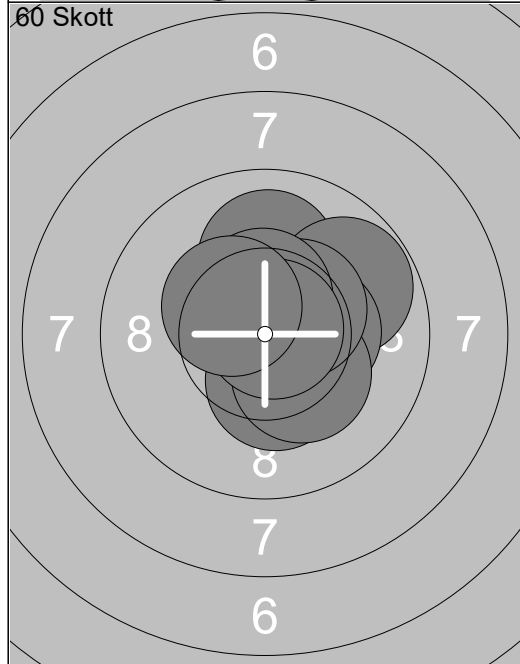
60 Skott 	21: 10.6x ↗ 22: 10.5x ↘ 23: 10.4x ↗ 24: 9.6 ← 25: 10.5x ↘ 26: 10.4x ↘ 27: 8.8 → 28: 10.7x ↘ 29: 10.8x ↘ 30: 10.3x ↗ <hr/> Serie 102.6 Total 311.2	60 Skott 	31: 10.0 ↘ 32: 10.1 → 33: 10.6x ↗ 34: 10.4x ↗ 35: 10.5x ↗ 36: 10.8x ↘ 37: 10.8x ↗ 38: 10.5x ↘ 39: 10.0 ↑ 40: 10.4x ↘ <hr/> Serie 104.1 Total 415.3
--	--	--	---



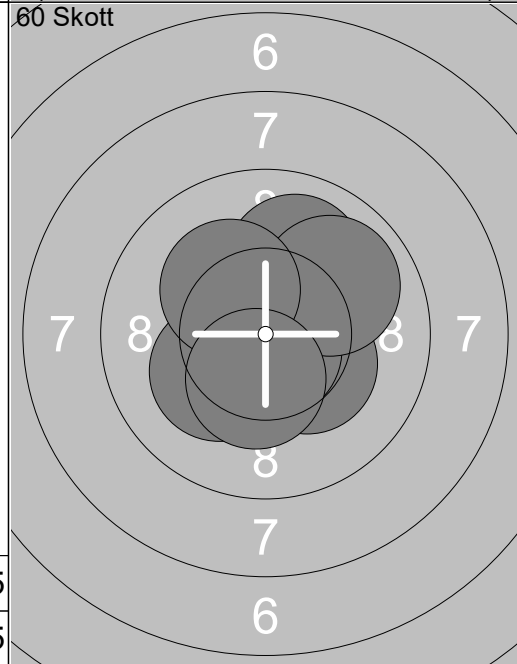
1:	6.3 ↖
2:	10.8x ↘
3:	10.6x ↘
4:	9.4 ↖
5:	10.2x ↘
6:	10.6x ↗
7:	10.7x ↘
8:	10.5x ↘
9:	10.4x ↘
10:	10.2x ↗
Serie 99.7	
Total 0.0	



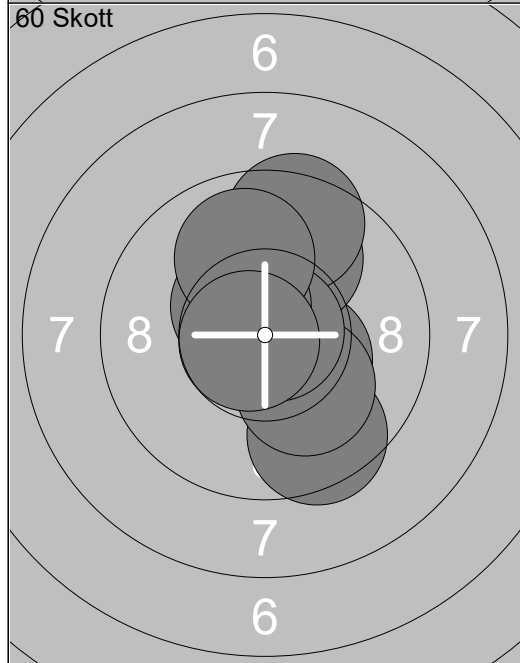
11:	10.7x ↘
Serie 10.7	
Total 0.0	



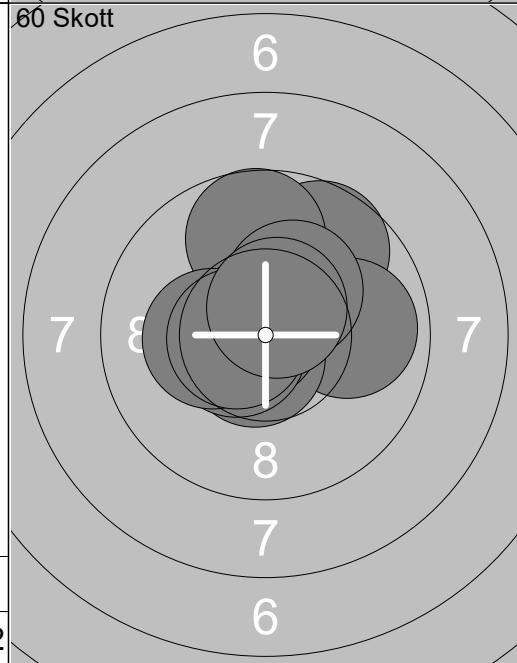
1:	10.0 ↑
2:	9.8 ↗
3:	10.4x ➔
4:	10.3x ↘
5:	10.3x ↘
6:	10.6x ↗
7:	10.4x ↗
8:	10.5x ↗
9:	10.8x ↗
10:	10.4x ↘
Serie 103.5	
Total 103.5	



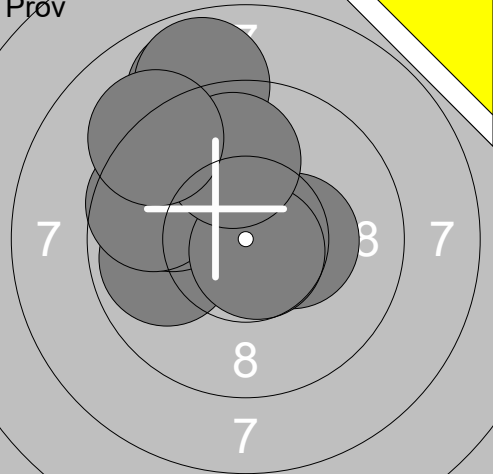
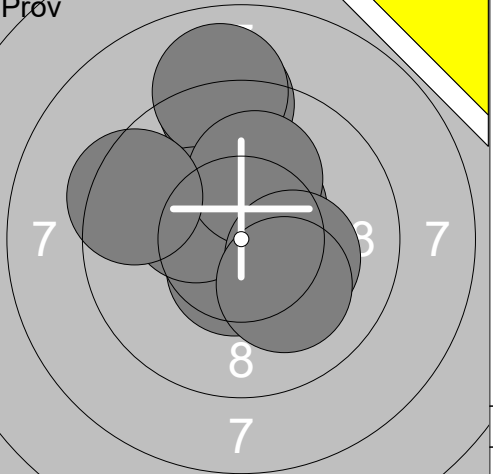
11:	10.7x ↘
12:	10.7x ↗
13:	10.5x ↘
14:	10.3x ↘
15:	10.7x ↘
16:	10.0 ↑
17:	9.9 ↗
18:	10.2x ↘
19:	10.2x ↘
20:	10.4x ↘
Serie 103.6	
Total 207.1	

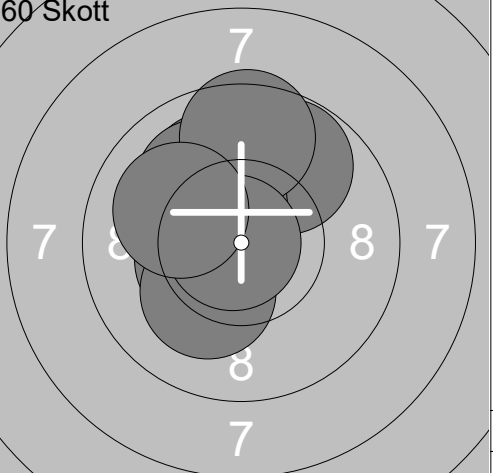


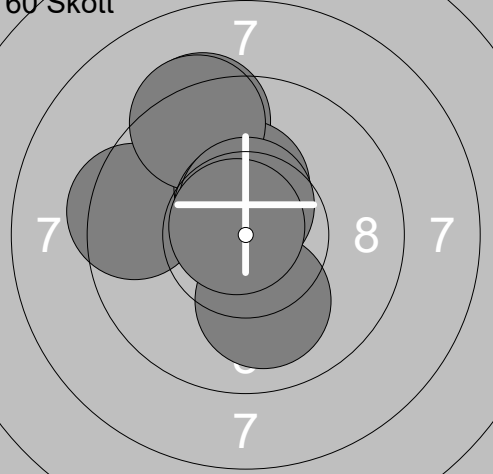
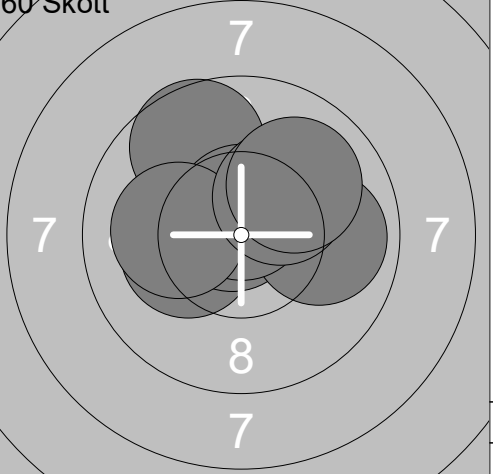
21:	10.4x ↘
22:	9.5 ↘
23:	10.1 ↘
24:	9.9 ↑
25:	10.8x ↗
26:	9.5 ↑
27:	10.8x ↗
28:	10.5x ↘
29:	9.9 ↑
30:	10.7x ↘
Serie 102.1	
Total 309.2	

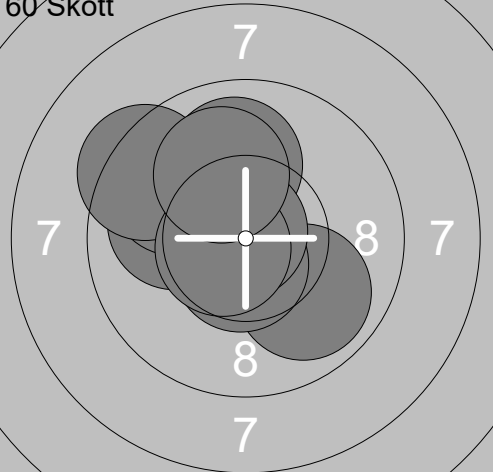


31:	9.7 ↗
32:	9.9 ➔
33:	9.7 ↑
34:	10.6x ↘
35:	10.8x ↘
36:	10.6x ↘
37:	10.3x ↘
38:	10.6x ↘
39:	10.3x ↗
40:	10.6x ↗
Serie 103.1	
Total 412.3	

<p>Pröv</p> 	<table border="1" style="width:100%; border-collapse: collapse;"> <tr><td>1:</td><td>8.9</td><td>↗</td></tr> <tr><td>2:</td><td>8.8</td><td>↗</td></tr> <tr><td>3:</td><td>10.0</td><td>↖</td></tr> <tr><td>4:</td><td>9.9</td><td>↖</td></tr> <tr><td>5:</td><td>9.9</td><td>↗</td></tr> <tr><td>6:</td><td>9.6</td><td>↗</td></tr> <tr><td>7:</td><td>10.3x</td><td>→</td></tr> <tr><td>8:</td><td>10.7x</td><td>↘</td></tr> <tr><td>9:</td><td>9.9</td><td>↗</td></tr> <tr><td>10:</td><td>9.2</td><td>↗</td></tr> <tr><td colspan="2">Serie</td><td>97.2</td></tr> <tr><td colspan="2">Total</td><td>0.0</td></tr> </table>	1:	8.9	↗	2:	8.8	↗	3:	10.0	↖	4:	9.9	↖	5:	9.9	↗	6:	9.6	↗	7:	10.3x	→	8:	10.7x	↘	9:	9.9	↗	10:	9.2	↗	Serie		97.2	Total		0.0	<p>Pröv</p> 	<table border="1" style="width:100%; border-collapse: collapse;"> <tr><td>11:</td><td>9.1</td><td>↗</td></tr> <tr><td>12:</td><td>9.0</td><td>↗</td></tr> <tr><td>13:</td><td>10.5x</td><td>↗</td></tr> <tr><td>14:</td><td>10.4x</td><td>↖</td></tr> <tr><td>15:</td><td>10.6x</td><td>↘</td></tr> <tr><td>16:</td><td>10.3x</td><td>↖</td></tr> <tr><td>17:</td><td>10.1</td><td>↗</td></tr> <tr><td>18:</td><td>10.2x</td><td>→</td></tr> <tr><td>19:</td><td>9.4</td><td>↖</td></tr> <tr><td>20:</td><td>10.1</td><td>↘</td></tr> <tr><td colspan="2">Serie</td><td>99.7</td></tr> <tr><td colspan="2">Total</td><td>0.0</td></tr> </table>	11:	9.1	↗	12:	9.0	↗	13:	10.5x	↗	14:	10.4x	↖	15:	10.6x	↘	16:	10.3x	↖	17:	10.1	↗	18:	10.2x	→	19:	9.4	↖	20:	10.1	↘	Serie		99.7	Total		0.0
1:	8.9	↗																																																																									
2:	8.8	↗																																																																									
3:	10.0	↖																																																																									
4:	9.9	↖																																																																									
5:	9.9	↗																																																																									
6:	9.6	↗																																																																									
7:	10.3x	→																																																																									
8:	10.7x	↘																																																																									
9:	9.9	↗																																																																									
10:	9.2	↗																																																																									
Serie		97.2																																																																									
Total		0.0																																																																									
11:	9.1	↗																																																																									
12:	9.0	↗																																																																									
13:	10.5x	↗																																																																									
14:	10.4x	↖																																																																									
15:	10.6x	↘																																																																									
16:	10.3x	↖																																																																									
17:	10.1	↗																																																																									
18:	10.2x	→																																																																									
19:	9.4	↖																																																																									
20:	10.1	↘																																																																									
Serie		99.7																																																																									
Total		0.0																																																																									

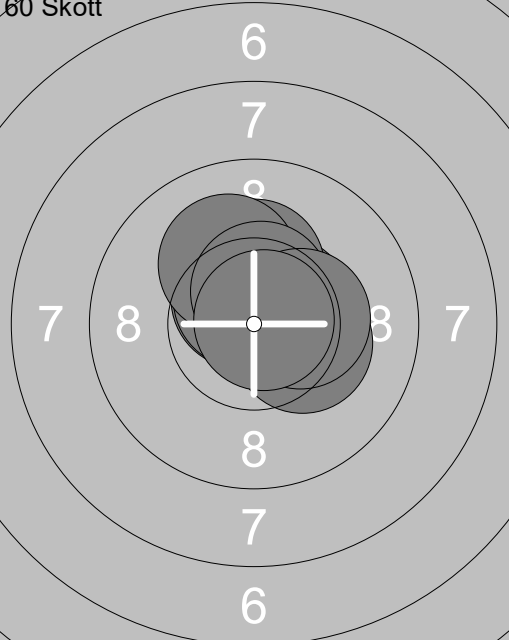

<p>Pröv</p> 	<table border="1" style="width:100%; border-collapse: collapse;"> <tr><td>21:</td><td>9.9</td><td>↗</td></tr> <tr><td>22:</td><td>9.9</td><td>↖</td></tr> <tr><td colspan="2">Serie</td><td>19.8</td></tr> <tr><td colspan="2">Total</td><td>0.0</td></tr> </table>	21:	9.9	↗	22:	9.9	↖	Serie		19.8	Total		0.0	<p>60 Skott</p> 	<table border="1" style="width:100%; border-collapse: collapse;"> <tr><td>1:</td><td>9.8</td><td>↗</td></tr> <tr><td>2:</td><td>10.4x</td><td>↖</td></tr> <tr><td>3:</td><td>10.2x</td><td>↘</td></tr> <tr><td>4:</td><td>10.2x</td><td>↗</td></tr> <tr><td>5:</td><td>10.4x</td><td>↗</td></tr> <tr><td>6:</td><td>10.0</td><td>↗</td></tr> <tr><td>7:</td><td>10.0</td><td>↗</td></tr> <tr><td>8:</td><td>9.6</td><td>↗</td></tr> <tr><td>9:</td><td>10.8x</td><td>↖</td></tr> <tr><td>10:</td><td>10.0</td><td>↖</td></tr> <tr><td colspan="2">Serie</td><td>101.4</td></tr> <tr><td colspan="2">Total</td><td>101.4</td></tr> </table>	1:	9.8	↗	2:	10.4x	↖	3:	10.2x	↘	4:	10.2x	↗	5:	10.4x	↗	6:	10.0	↗	7:	10.0	↗	8:	9.6	↗	9:	10.8x	↖	10:	10.0	↖	Serie		101.4	Total		101.4
21:	9.9	↗																																																	
22:	9.9	↖																																																	
Serie		19.8																																																	
Total		0.0																																																	
1:	9.8	↗																																																	
2:	10.4x	↖																																																	
3:	10.2x	↘																																																	
4:	10.2x	↗																																																	
5:	10.4x	↗																																																	
6:	10.0	↗																																																	
7:	10.0	↗																																																	
8:	9.6	↗																																																	
9:	10.8x	↖																																																	
10:	10.0	↖																																																	
Serie		101.4																																																	
Total		101.4																																																	

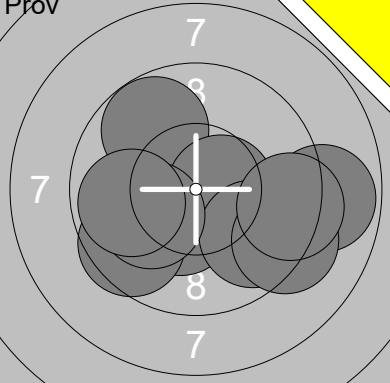
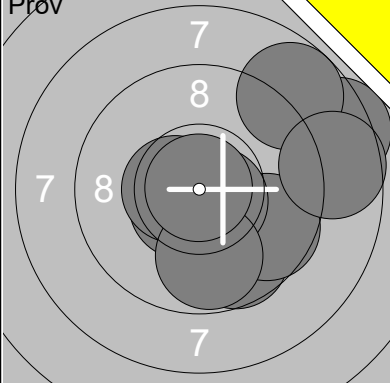
<p>60 Skott</p> 	<table border="1" style="width:100%; border-collapse: collapse;"> <tr><td>11:</td><td>10.3x</td><td>↗</td></tr> <tr><td>12:</td><td>9.3</td><td>↗</td></tr> <tr><td>13:</td><td>9.9</td><td>↗</td></tr> <tr><td>14:</td><td>9.5</td><td>↖</td></tr> <tr><td>15:</td><td>10.3x</td><td>↗</td></tr> <tr><td>16:</td><td>9.3</td><td>↗</td></tr> <tr><td>17:</td><td>10.6x</td><td>↗</td></tr> <tr><td>18:</td><td>10.0</td><td>↘</td></tr> <tr><td>19:</td><td>10.6x</td><td>↗</td></tr> <tr><td>20:</td><td>10.8x</td><td>↗</td></tr> <tr><td colspan="2">Serie</td><td>100.6</td></tr> <tr><td colspan="2">Total</td><td>202.0</td></tr> </table>	11:	10.3x	↗	12:	9.3	↗	13:	9.9	↗	14:	9.5	↖	15:	10.3x	↗	16:	9.3	↗	17:	10.6x	↗	18:	10.0	↘	19:	10.6x	↗	20:	10.8x	↗	Serie		100.6	Total		202.0	<p>60 Skott</p> 	<table border="1" style="width:100%; border-collapse: collapse;"> <tr><td>21:</td><td>10.3x</td><td>↖</td></tr> <tr><td>22:</td><td>10.2x</td><td>↖</td></tr> <tr><td>23:</td><td>10.4x</td><td>↗</td></tr> <tr><td>24:</td><td>9.7</td><td>↗</td></tr> <tr><td>25:</td><td>10.8x</td><td>↗</td></tr> <tr><td>26:</td><td>9.9</td><td>→</td></tr> <tr><td>27:</td><td>10.6x</td><td>↗</td></tr> <tr><td>28:</td><td>10.1</td><td>↖</td></tr> <tr><td>29:</td><td>10.2x</td><td>↗</td></tr> <tr><td>30:</td><td>10.0</td><td>↗</td></tr> <tr><td colspan="2">Serie</td><td>102.2</td></tr> <tr><td colspan="2">Total</td><td>304.2</td></tr> </table>	21:	10.3x	↖	22:	10.2x	↖	23:	10.4x	↗	24:	9.7	↗	25:	10.8x	↗	26:	9.9	→	27:	10.6x	↗	28:	10.1	↖	29:	10.2x	↗	30:	10.0	↗	Serie		102.2	Total		304.2
11:	10.3x	↗																																																																									
12:	9.3	↗																																																																									
13:	9.9	↗																																																																									
14:	9.5	↖																																																																									
15:	10.3x	↗																																																																									
16:	9.3	↗																																																																									
17:	10.6x	↗																																																																									
18:	10.0	↘																																																																									
19:	10.6x	↗																																																																									
20:	10.8x	↗																																																																									
Serie		100.6																																																																									
Total		202.0																																																																									
21:	10.3x	↖																																																																									
22:	10.2x	↖																																																																									
23:	10.4x	↗																																																																									
24:	9.7	↗																																																																									
25:	10.8x	↗																																																																									
26:	9.9	→																																																																									
27:	10.6x	↗																																																																									
28:	10.1	↖																																																																									
29:	10.2x	↗																																																																									
30:	10.0	↗																																																																									
Serie		102.2																																																																									
Total		304.2																																																																									

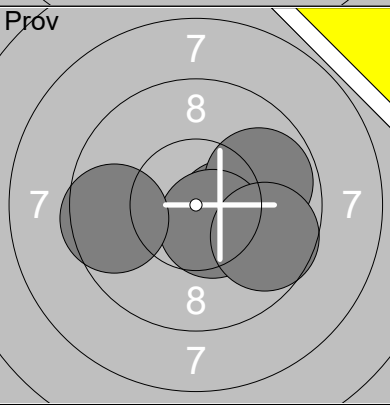
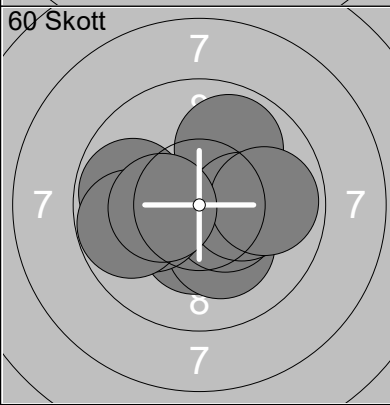
<p>60 Skott</p> 	<table border="1" style="width:100%; border-collapse: collapse;"> <tr><td>31:</td><td>9.9</td><td>↘</td></tr> <tr><td>32:</td><td>10.0</td><td>↖</td></tr> <tr><td>33:</td><td>10.0</td><td>↗</td></tr> <tr><td>34:</td><td>9.8</td><td>↗</td></tr> <tr><td>35:</td><td>10.1</td><td>↗</td></tr> <tr><td>36:</td><td>10.6x</td><td>↘</td></tr> <tr><td>37:</td><td>10.8x</td><td>↗</td></tr> <tr><td>38:</td><td>9.4</td><td>↗</td></tr> <tr><td>39:</td><td>10.6x</td><td>↖</td></tr> <tr><td>40:</td><td>10.1</td><td>↗</td></tr> <tr><td colspan="2">Serie</td><td>101.3</td></tr> <tr><td colspan="2">Total</td><td>405.5</td></tr> </table>	31:	9.9	↘	32:	10.0	↖	33:	10.0	↗	34:	9.8	↗	35:	10.1	↗	36:	10.6x	↘	37:	10.8x	↗	38:	9.4	↗	39:	10.6x	↖	40:	10.1	↗	Serie		101.3	Total		405.5		
31:	9.9	↘																																					
32:	10.0	↖																																					
33:	10.0	↗																																					
34:	9.8	↗																																					
35:	10.1	↗																																					
36:	10.6x	↘																																					
37:	10.8x	↗																																					
38:	9.4	↗																																					
39:	10.6x	↖																																					
40:	10.1	↗																																					
Serie		101.3																																					
Total		405.5																																					

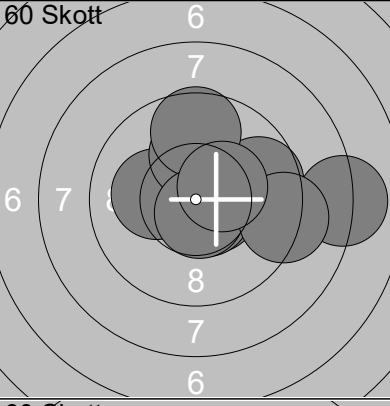
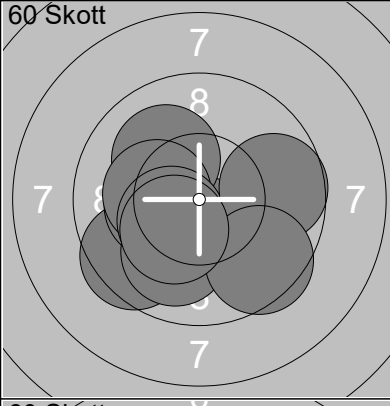
<p>Prov</p> 	<p>60 Skott</p> 	<p>1: 10.2✕ ←</p> <p>2: 10.5✕ ✓</p> <p>3: 10.6✕ ↓</p> <p>4: 10.1 ↑</p> <p>5: 10.2✕ ↗</p> <p>6: 10.4✕ ↑</p> <p>7: 9.0 ↗</p> <p>8: 10.1 →</p> <p>9: 10.8✕ ←</p> <p>10: 10.6✕ ↑</p> <p>Serie 102.5</p> <p>Total 0.0</p>	<p>1: 10.0 ↑</p> <p>2: 10.1 ↗</p> <p>3: 9.6 ←</p> <p>4: 9.5 →</p> <p>5: 10.5✕ ></p> <p>6: 10.4✕ ↗</p> <p>7: 10.6✕ ></p> <p>8: 10.4✕ ></p> <p>9: 10.1 →</p> <p>10: 9.9 ←</p> <p>Serie 101.1</p> <p>Total 101.1</p>
--	--	--	--

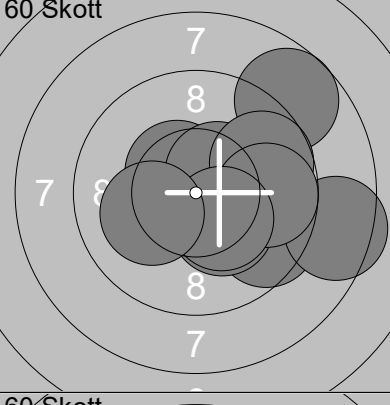
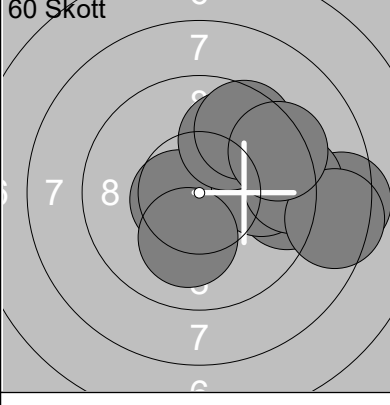
<p>60 Skott</p> 	<p>60 Skott</p> 	<p>11: 10.8✕ ←</p> <p>12: 9.7 ↙</p> <p>13: 10.3✕ ↓</p> <p>14: 10.3✕ ↓</p> <p>15: 9.9 →</p> <p>16: 10.3✕ ✓</p> <p>17: 10.3✕ ↓</p> <p>18: 10.5✕ ></p> <p>19: 10.3✕ ↑</p> <p>20: 10.0 ↖</p> <p>Serie 102.4</p> <p>Total 203.5</p>	<p>21: 10.5✕ ✕</p> <p>22: 10.8✕ ></p> <p>23: 10.2✕ ↗</p> <p>24: 9.9 ←</p> <p>25: 10.5✕ ↑</p> <p>26: 10.9✕ ✕</p> <p>27: 10.7✕ ✓</p> <p>28: 10.8✕ ></p> <p>29: 10.2✕ ↗</p> <p>30: 9.5 →</p> <p>Serie 104.0</p> <p>Total 307.5</p>
---	---	---	---

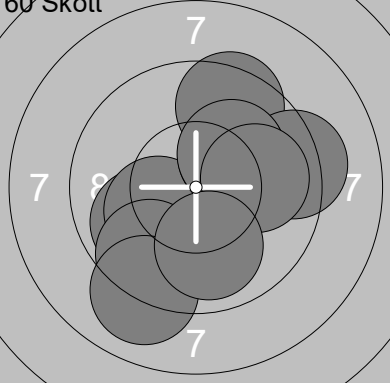
<p>60 Skott</p> 	<p>60 Skott</p> 	<p>31: 10.5✕ ↗</p> <p>32: 10.6✕ ✕</p> <p>33: 10.3✕ ↑</p> <p>34: 10.6✕ ✕</p> <p>35: 10.6✕ ↑</p> <p>36: 10.1 ↑</p> <p>37: 10.3✕ ></p> <p>38: 10.5✕ ↑</p> <p>39: 10.4✕ ></p> <p>40: 10.8✕ ></p> <p>Serie 104.7</p> <p>Total 412.2</p>	
--	--	---	--

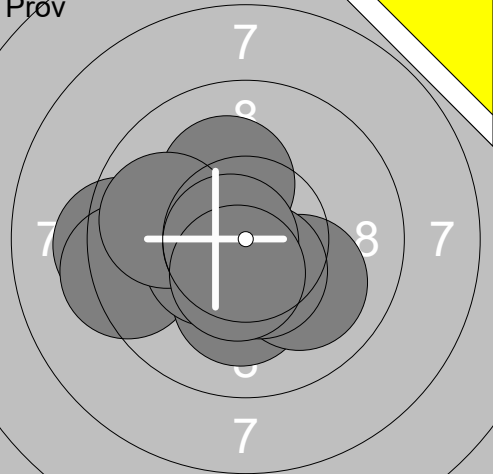
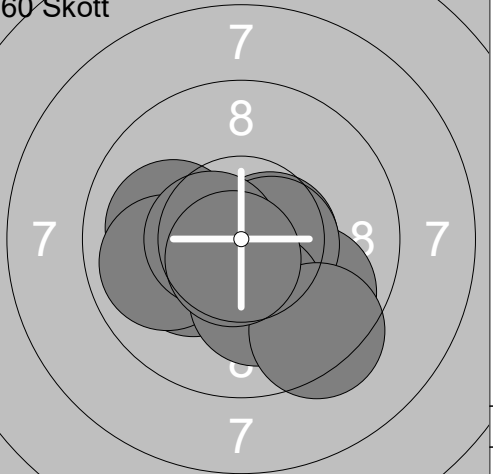
	1: 8.8 →		11: 10.6x ↙
	2: 9.8 ↗		12: 8.4 →
	3: 10.4x ↘		13: 9.7 ↘
	4: 9.6 ↘		14: 9.6 ↘
	5: 10.5x →		15: 10.6x ↘
	6: 9.7 ↘		16: 8.8 ↗
	7: 10.1 ↙		17: 10.5x ←
	8: 9.2 ↘		18: 9.8 ↘
	9: 9.3 →		19: 10.9x ↗
	10: 9.9 ←		20: 8.7 →
Serie	97.3	Serie	97.6
Total	0.0	Total	0.0

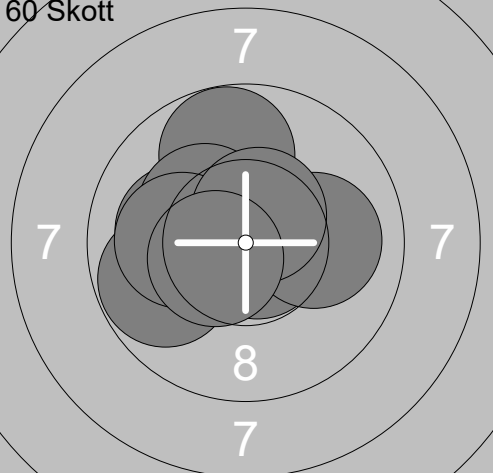
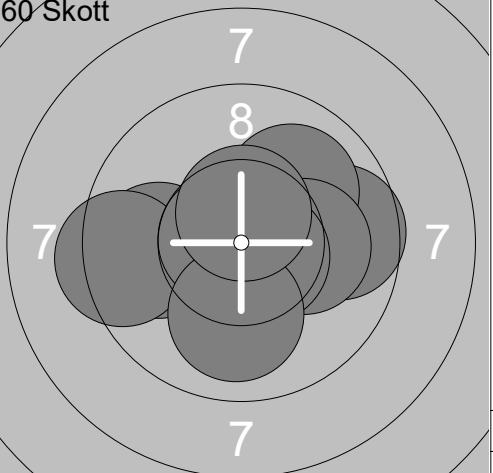
	21: 10.0 →		1: 9.8 ←
	22: 10.4x →		2: 10.4x ↓
	23: 9.8 →		3: 10.2x ↘
	24: 10.5x ↘		4: 9.9 ↗
	25: 9.6 ←		5: 10.5x ↘
	26: 9.7 ↘		6: 10.1 ←
Serie	60.0	Serie	101.1
Total	0.0	Total	101.1

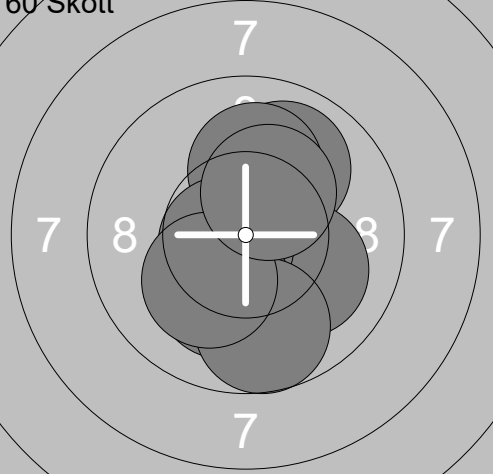
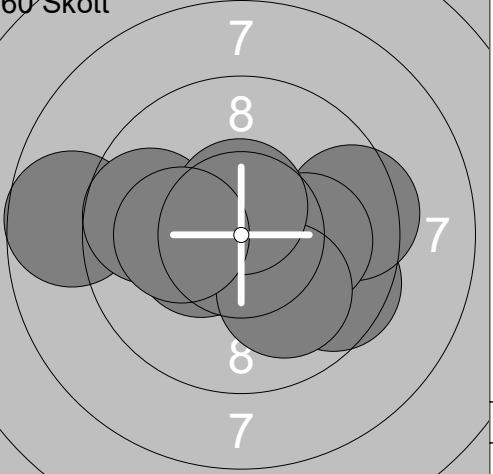
	11: 10.2x ←		21: 10.4x ↓
	12: 10.6x ↘		22: 9.5 ↘
	13: 9.7 →		23: 10.3x ←
	14: 10.1 ↑		24: 10.1 ↗
	15: 10.6x ↘		25: 10.2x ←
	16: 9.6 ↑		26: 10.4x ↙
	17: 8.1 →		27: 9.7 →
	18: 10.7x ↓		28: 10.0 ↓
	19: 9.2 →		29: 9.5 ↘
	20: 10.4x →		30: 10.3x ↙
Serie	99.2	Serie	100.4
Total	200.3	Total	300.7

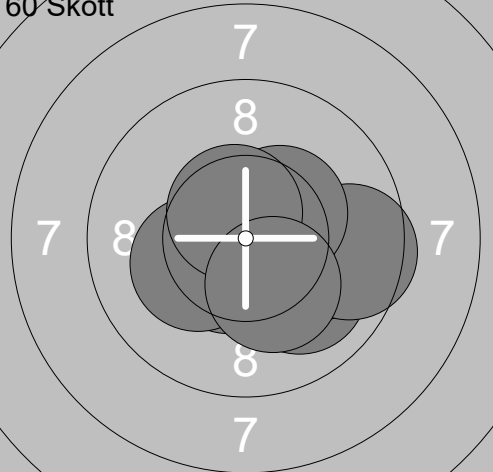
	31: 10.5x ↗		41: 10.6x ←
	32: 8.7 ↗		42: 9.4 →
	33: 10.5x ↗		43: 8.4 →
	34: 9.5 ↘		44: 9.8 →
	35: 9.7 →		45: 9.3 →
	36: 8.5 →		46: 9.9 ↗
	37: 10.2x ↘		47: 9.6 ↗
	38: 9.7 →		48: 8.5 →
	39: 10.3x ↘		49: 10.1 ↓
	40: 10.1 ←		50: 9.4 ↗
Serie	97.7	Serie	95.0
Total	398.4	Total	493.4

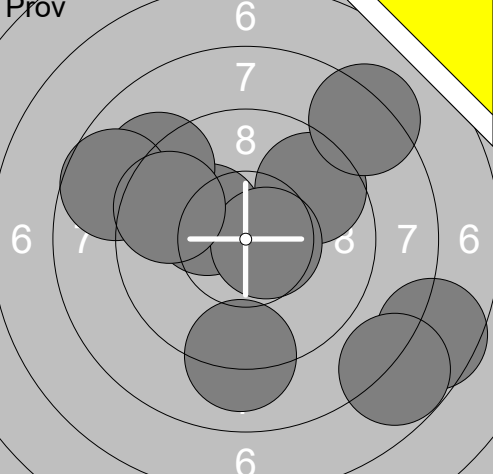
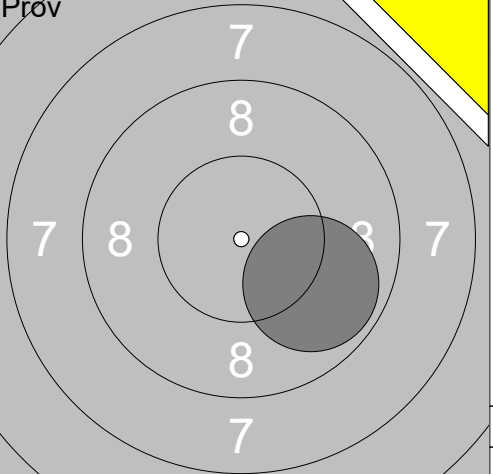
	51: 9.5 ↗	
	52: 9.3 →	
	53: 9.9 ↙	
	54: 10.2x ↙	
	55: 9.6 ↙	
	56: 9.0 ↙	
	57: 10.1 ↗	
	58: 10.1 ↗	
	59: 10.0 →	
	60: 10.0 ↓	
Serie	97.7	
Total	591.1	

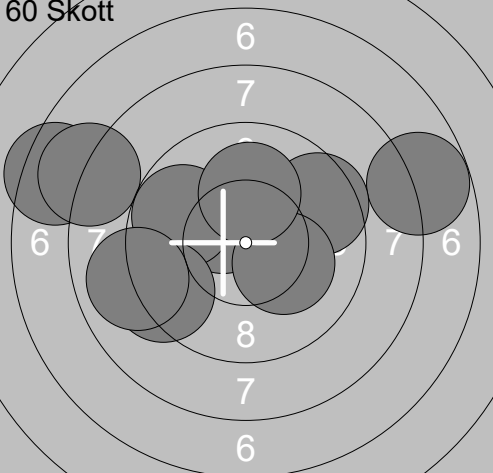
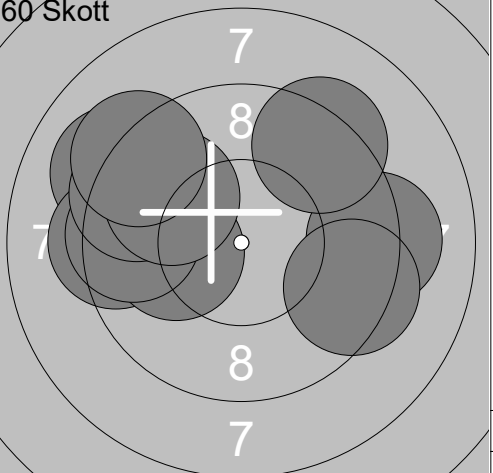
<p>Pröv</p> 	<table border="1" style="width:100%; border-collapse: collapse;"> <tr><td>1:</td><td>9.3</td><td>←</td></tr> <tr><td>2:</td><td>9.3</td><td>←</td></tr> <tr><td>3:</td><td>10.2x</td><td>↓</td></tr> <tr><td>4:</td><td>10.0</td><td>↘</td></tr> <tr><td>5:</td><td>10.4x</td><td>←</td></tr> <tr><td>6:</td><td>10.2x</td><td>↑</td></tr> <tr><td>7:</td><td>10.5x</td><td>↓</td></tr> <tr><td>8:</td><td>9.9</td><td>←</td></tr> <tr><td>9:</td><td>10.7x</td><td>←</td></tr> <tr><td>10:</td><td>10.5x</td><td>↓</td></tr> <tr><td colspan="2">Serie</td><td>101.0</td></tr> <tr><td colspan="2">Total</td><td>0.0</td></tr> </table>	1:	9.3	←	2:	9.3	←	3:	10.2x	↓	4:	10.0	↘	5:	10.4x	←	6:	10.2x	↑	7:	10.5x	↓	8:	9.9	←	9:	10.7x	←	10:	10.5x	↓	Serie		101.0	Total		0.0	<p>60 Skott</p>  <table border="1" style="width:100%; border-collapse: collapse;"> <tr><td>1:</td><td>9.8</td><td>↘</td></tr> <tr><td>2:</td><td>10.2x</td><td>←</td></tr> <tr><td>3:</td><td>10.6x</td><td>→</td></tr> <tr><td>4:</td><td>10.5x</td><td>→</td></tr> <tr><td>5:</td><td>10.0</td><td>←</td></tr> <tr><td>6:</td><td>9.9</td><td>←</td></tr> <tr><td>7:</td><td>10.1</td><td>↓</td></tr> <tr><td>8:</td><td>9.4</td><td>↘</td></tr> <tr><td>9:</td><td>10.6x</td><td>←</td></tr> <tr><td>10:</td><td>10.7x</td><td>↓</td></tr> <tr><td colspan="2">Serie</td><td>101.8</td></tr> <tr><td colspan="2">Total</td><td>101.8</td></tr> </table>	1:	9.8	↘	2:	10.2x	←	3:	10.6x	→	4:	10.5x	→	5:	10.0	←	6:	9.9	←	7:	10.1	↓	8:	9.4	↘	9:	10.6x	←	10:	10.7x	↓	Serie		101.8	Total		101.8
1:	9.3	←																																																																								
2:	9.3	←																																																																								
3:	10.2x	↓																																																																								
4:	10.0	↘																																																																								
5:	10.4x	←																																																																								
6:	10.2x	↑																																																																								
7:	10.5x	↓																																																																								
8:	9.9	←																																																																								
9:	10.7x	←																																																																								
10:	10.5x	↓																																																																								
Serie		101.0																																																																								
Total		0.0																																																																								
1:	9.8	↘																																																																								
2:	10.2x	←																																																																								
3:	10.6x	→																																																																								
4:	10.5x	→																																																																								
5:	10.0	←																																																																								
6:	9.9	←																																																																								
7:	10.1	↓																																																																								
8:	9.4	↘																																																																								
9:	10.6x	←																																																																								
10:	10.7x	↓																																																																								
Serie		101.8																																																																								
Total		101.8																																																																								

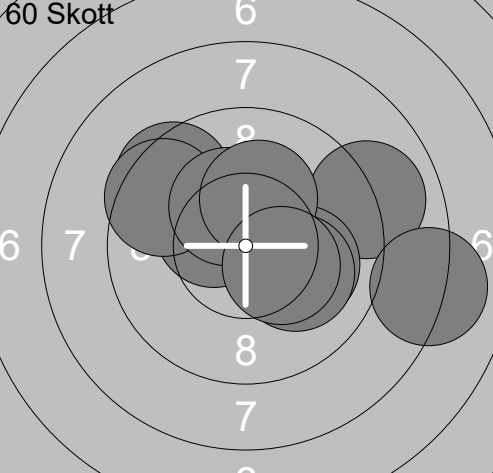
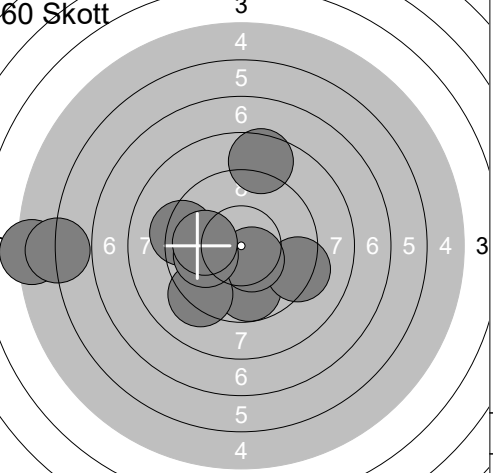
<p>60 Skott</p>  <table border="1" style="width:100%; border-collapse: collapse;"> <tr><td>11:</td><td>10.5x</td><td>↑</td></tr> <tr><td>12:</td><td>9.8</td><td>←</td></tr> <tr><td>13:</td><td>10.1</td><td>←</td></tr> <tr><td>14:</td><td>10.8x</td><td>↘</td></tr> <tr><td>15:</td><td>9.8</td><td>↑</td></tr> <tr><td>16:</td><td>10.0</td><td>→</td></tr> <tr><td>17:</td><td>10.3x</td><td>↗</td></tr> <tr><td>18:</td><td>10.1</td><td>←</td></tr> <tr><td>19:</td><td>10.6x</td><td>↗</td></tr> <tr><td>20:</td><td>10.5x</td><td>←</td></tr> <tr><td colspan="2">Serie</td><td>102.5</td></tr> <tr><td colspan="2">Total</td><td>204.3</td></tr> </table>	11:	10.5x	↑	12:	9.8	←	13:	10.1	←	14:	10.8x	↘	15:	9.8	↑	16:	10.0	→	17:	10.3x	↗	18:	10.1	←	19:	10.6x	↗	20:	10.5x	←	Serie		102.5	Total		204.3	<p>60 Skott</p>  <table border="1" style="width:100%; border-collapse: collapse;"> <tr><td>21:</td><td>9.9</td><td>←</td></tr> <tr><td>22:</td><td>10.4x</td><td>↓</td></tr> <tr><td>23:</td><td>9.7</td><td>→</td></tr> <tr><td>24:</td><td>10.0</td><td>↗</td></tr> <tr><td>25:</td><td>9.4</td><td>←</td></tr> <tr><td>26:</td><td>10.1</td><td>→</td></tr> <tr><td>27:</td><td>10.7x</td><td>←</td></tr> <tr><td>28:</td><td>10.6x</td><td>↘</td></tr> <tr><td>29:</td><td>10.0</td><td>↓</td></tr> <tr><td>30:</td><td>10.6x</td><td>↑</td></tr> <tr><td colspan="2">Serie</td><td>101.4</td></tr> <tr><td colspan="2">Total</td><td>305.7</td></tr> </table>	21:	9.9	←	22:	10.4x	↓	23:	9.7	→	24:	10.0	↗	25:	9.4	←	26:	10.1	→	27:	10.7x	←	28:	10.6x	↘	29:	10.0	↓	30:	10.6x	↑	Serie		101.4	Total		305.7
11:	10.5x	↑																																																																							
12:	9.8	←																																																																							
13:	10.1	←																																																																							
14:	10.8x	↘																																																																							
15:	9.8	↑																																																																							
16:	10.0	→																																																																							
17:	10.3x	↗																																																																							
18:	10.1	←																																																																							
19:	10.6x	↗																																																																							
20:	10.5x	←																																																																							
Serie		102.5																																																																							
Total		204.3																																																																							
21:	9.9	←																																																																							
22:	10.4x	↓																																																																							
23:	9.7	→																																																																							
24:	10.0	↗																																																																							
25:	9.4	←																																																																							
26:	10.1	→																																																																							
27:	10.7x	←																																																																							
28:	10.6x	↘																																																																							
29:	10.0	↓																																																																							
30:	10.6x	↑																																																																							
Serie		101.4																																																																							
Total		305.7																																																																							

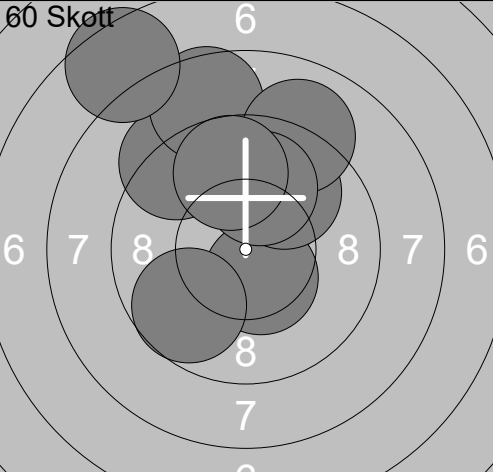
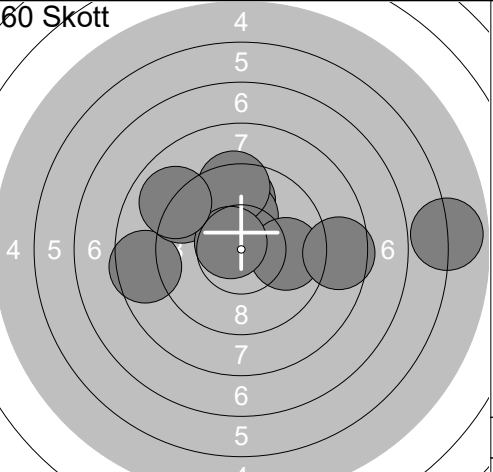
<p>60 Skott</p>  <table border="1" style="width:100%; border-collapse: collapse;"> <tr><td>31:</td><td>10.0</td><td>↗</td></tr> <tr><td>32:</td><td>10.4x</td><td>↗</td></tr> <tr><td>33:</td><td>10.5x</td><td>↘</td></tr> <tr><td>34:</td><td>10.1</td><td>↑</td></tr> <tr><td>35:</td><td>10.1</td><td>↘</td></tr> <tr><td>36:</td><td>10.7x</td><td>←</td></tr> <tr><td>37:</td><td>10.2x</td><td>↓</td></tr> <tr><td>38:</td><td>9.7</td><td>↓</td></tr> <tr><td>39:</td><td>10.2x</td><td>↘</td></tr> <tr><td>40:</td><td>10.3x</td><td>↗</td></tr> <tr><td colspan="2">Serie</td><td>102.2</td></tr> <tr><td colspan="2">Total</td><td>407.9</td></tr> </table>	31:	10.0	↗	32:	10.4x	↗	33:	10.5x	↘	34:	10.1	↑	35:	10.1	↘	36:	10.7x	←	37:	10.2x	↓	38:	9.7	↓	39:	10.2x	↘	40:	10.3x	↗	Serie		102.2	Total		407.9	<p>60 Skott</p>  <table border="1" style="width:100%; border-collapse: collapse;"> <tr><td>41:</td><td>9.6</td><td>↘</td></tr> <tr><td>42:</td><td>10.4x</td><td>←</td></tr> <tr><td>43:</td><td>10.6x</td><td>→</td></tr> <tr><td>44:</td><td>8.7</td><td>←</td></tr> <tr><td>45:</td><td>9.5</td><td>→</td></tr> <tr><td>46:</td><td>9.7</td><td>←</td></tr> <tr><td>47:</td><td>10.1</td><td>→</td></tr> <tr><td>48:</td><td>10.0</td><td>↘</td></tr> <tr><td>49:</td><td>10.6x</td><td>↑</td></tr> <tr><td>50:</td><td>10.2x</td><td>←</td></tr> <tr><td colspan="2">Serie</td><td>99.4</td></tr> <tr><td colspan="2">Total</td><td>507.3</td></tr> </table>	41:	9.6	↘	42:	10.4x	←	43:	10.6x	→	44:	8.7	←	45:	9.5	→	46:	9.7	←	47:	10.1	→	48:	10.0	↘	49:	10.6x	↑	50:	10.2x	←	Serie		99.4	Total		507.3
31:	10.0	↗																																																																							
32:	10.4x	↗																																																																							
33:	10.5x	↘																																																																							
34:	10.1	↑																																																																							
35:	10.1	↘																																																																							
36:	10.7x	←																																																																							
37:	10.2x	↓																																																																							
38:	9.7	↓																																																																							
39:	10.2x	↘																																																																							
40:	10.3x	↗																																																																							
Serie		102.2																																																																							
Total		407.9																																																																							
41:	9.6	↘																																																																							
42:	10.4x	←																																																																							
43:	10.6x	→																																																																							
44:	8.7	←																																																																							
45:	9.5	→																																																																							
46:	9.7	←																																																																							
47:	10.1	→																																																																							
48:	10.0	↘																																																																							
49:	10.6x	↑																																																																							
50:	10.2x	←																																																																							
Serie		99.4																																																																							
Total		507.3																																																																							

<p>60 Skott</p>  <table border="1" style="width:100%; border-collapse: collapse;"> <tr><td>51:</td><td>10.7x</td><td>←</td></tr> <tr><td>52:</td><td>10.5x</td><td>↘</td></tr> <tr><td>53:</td><td>10.2x</td><td>←</td></tr> <tr><td>54:</td><td>10.0</td><td>↘</td></tr> <tr><td>55:</td><td>10.0</td><td>↘</td></tr> <tr><td>56:</td><td>10.0</td><td>→</td></tr> <tr><td>57:</td><td>9.6</td><td>→</td></tr> <tr><td>58:</td><td>10.4x</td><td>↗</td></tr> <tr><td>59:</td><td>10.6x</td><td>↗</td></tr> <tr><td>60:</td><td>10.2x</td><td>↘</td></tr> <tr><td colspan="2">Serie</td><td>102.2</td></tr> <tr><td colspan="2">Total</td><td>609.5</td></tr> </table>	51:	10.7x	←	52:	10.5x	↘	53:	10.2x	←	54:	10.0	↘	55:	10.0	↘	56:	10.0	→	57:	9.6	→	58:	10.4x	↗	59:	10.6x	↗	60:	10.2x	↘	Serie		102.2	Total		609.5	
51:	10.7x	←																																			
52:	10.5x	↘																																			
53:	10.2x	←																																			
54:	10.0	↘																																			
55:	10.0	↘																																			
56:	10.0	→																																			
57:	9.6	→																																			
58:	10.4x	↗																																			
59:	10.6x	↗																																			
60:	10.2x	↘																																			
Serie		102.2																																			
Total		609.5																																			

<p>Prov</p> 	<p>1: 9.6 ↗ 2: 7.6 → 3: 10.3x ↗ 4: 9.1 ↗ 5: 7.8 ↓ 6: 9.1 ↓ 7: 8.2 ↗ 8: 8.7 ↗ 9: 10.6x → 10: 9.6 ↗</p> <p>Serie 90.6 Total 0.0</p>	<p>Prov</p> 	<p>11: 9.9 →</p> <p>Serie 9.9 Total 0.0</p>
--	---	--	---

<p>60 Skott</p> 	<p>1: 10.4x ↗ 2: 7.8 → 3: 9.5 ↗ 4: 7.4 ← 5: 10.2x ↓ 6: 8.0 ↗ 7: 9.8 ↗ 8: 9.3 ← 9: 9.0 ← 10: 10.1 ↑</p> <p>Serie 91.5 Total 91.5</p>	<p>60 Skott</p> 	<p>11: 9.1 ↖ 12: 9.3 ← 13: 10.1 ← 14: 9.5 ← 15: 9.4 ↗ 16: 9.2 → 17: 9.3 ↗ 18: 9.9 ↗ 19: 9.4 → 20: 9.2 ↗</p> <p>Serie 94.4 Total 185.9</p>
---	---	---	---

<p>60 Skott</p> 	<p>21: 10.4x ↖ 22: 9.0 → 23: 10.1 → 24: 9.5 ↗ 25: 9.5 ↗ 26: 10.1 ↓ 27: 10.3x ↗ 28: 8.1 → 29: 10.2x ↑ 30: 10.3x ↓</p> <p>Serie 97.5 Total 283.4</p>	<p>60 Skott</p> 	<p>31: 9.8 ↓ 32: 9.3 → 33: 10.5x ↓ 34: 9.3 ← 35: 9.2 ↓ 36: 8.6 ↑ 37: 9.9 ← 38: 5.2 ← 39: 10.0 ← 40: 5.9 ←</p> <p>Serie 87.7 Total 371.1</p>
--	--	--	---

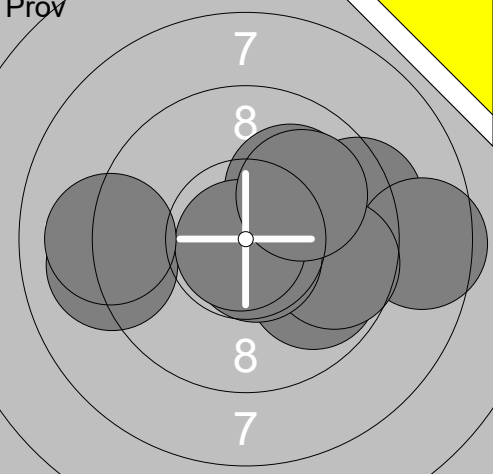
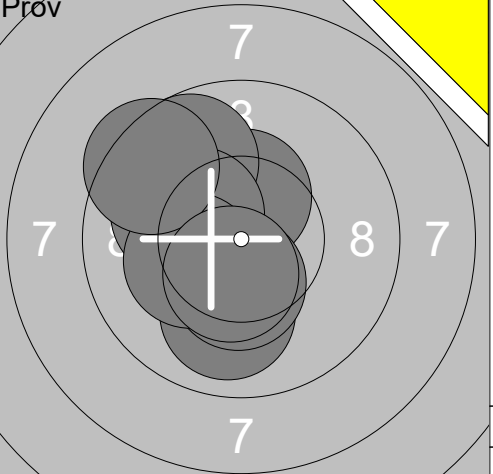
<p>60 Skott</p> 	<p>41: 10.0 ↗ 42: 10.5x ↓ 43: 9.2 ↗ 44: 8.6 ↑ 45: 9.7 ↓ 46: 9.9 ↗ 47: 7.5 ↗ 48: 9.0 ↗ 49: 10.0 ↑ 50: 9.7 ↑</p> <p>Serie 94.1 Total 465.2</p>	<p>60 Skott</p> 	<p>51: 9.7 ↑ 52: 8.6 ← 53: 10.1 ↑ 54: 9.8 → 55: 9.2 ↗ 56: 9.4 ↑ 57: 5.9 → 58: 8.5 → 59: 10.6x ↗ 60: 9.0 ↗</p> <p>Serie 90.8 Total 556.0</p>
--	--	--	---

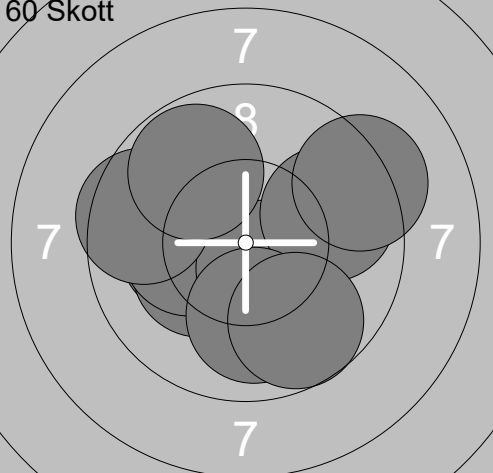
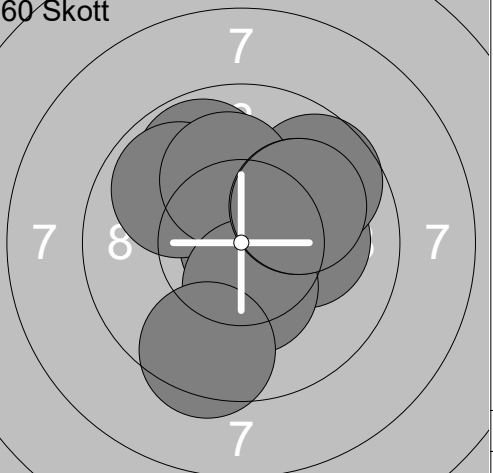
<p>Pröv</p>	<p>1: 10.1 →</p> <p>2: 8.6 →</p> <p>3: 10.5x ↗</p> <p>4: 10.8x ↓</p> <p>5: 10.3x ↓</p> <p>6: 8.8 →</p> <p>7: 9.0 →</p> <p>8: 10.1 ←</p> <p>9: 10.0 ←</p> <p>10: 9.1 ↓</p>	<p>Pröv</p>	<p>11: 9.9 ←</p> <p>12: 9.4 ↗</p> <p>13: 10.4x →</p> <p>14: 8.1 ←</p>
Serie 97.3		Serie 37.8	
Total 0.0		Total 0.0	

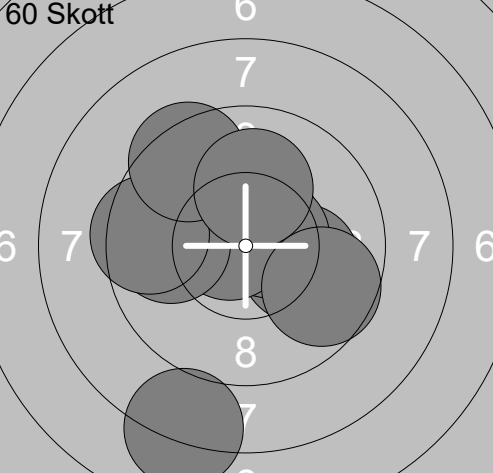
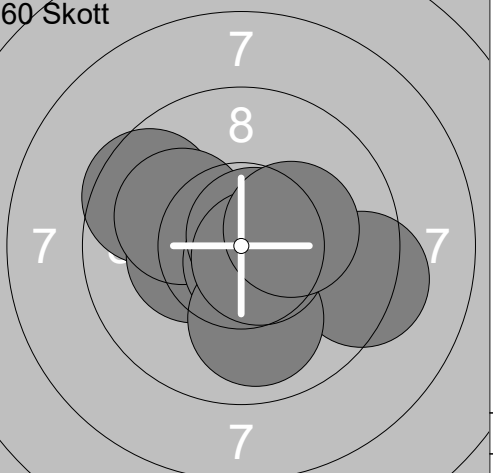
<p>60 Skott</p>	<p>1: 8.9 ↗</p> <p>2: 9.9 ↓</p> <p>3: 10.0 ↗</p> <p>4: 8.7 ←</p> <p>5: 10.6x ↓</p> <p>6: 10.0 ↓</p> <p>7: 10.0 ←</p> <p>8: 10.1 →</p> <p>9: 8.8 ←</p> <p>10: 9.4 ←</p>	<p>60 Skott</p>	<p>11: 9.7 ←</p> <p>12: 10.2x →</p> <p>13: 10.3x ↗</p> <p>14: 10.4x →</p> <p>15: 10.0 ↓</p> <p>16: 10.3x ←</p> <p>17: 10.2x ↓</p> <p>18: 9.3 ←</p> <p>19: 10.4x ←</p> <p>20: 9.2 ←</p>
Serie 96.4		Serie 100.0	
Total 96.4		Total 196.4	

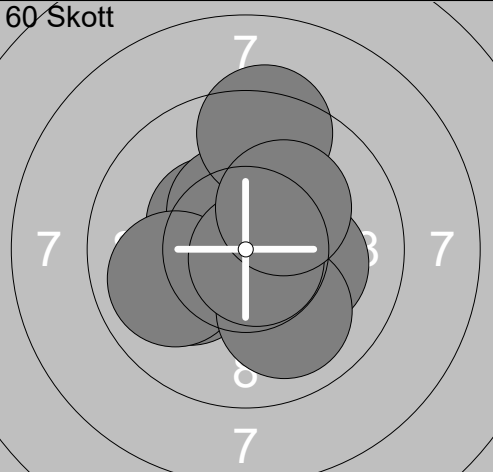
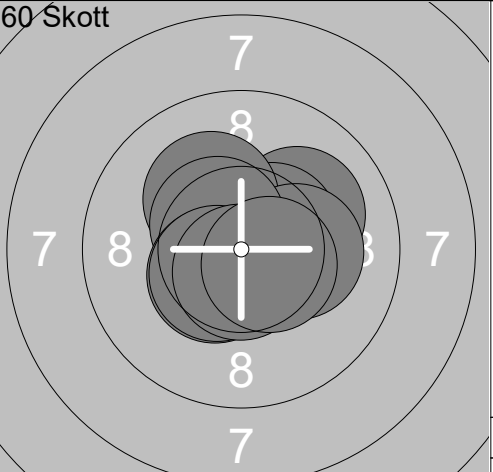
<p>60 Skott</p>	<p>21: 8.8 ↗</p> <p>22: 9.8 ↓</p> <p>23: 9.7 ←</p> <p>24: 10.3x ←</p> <p>25: 9.7 ←</p> <p>26: 10.6x ↗</p> <p>27: 9.8 ↓</p> <p>28: 10.2x ↗</p> <p>29: 9.8 →</p> <p>30: 9.3 ←</p>	<p>60 Skott</p>	<p>31: 10.1 ←</p> <p>32: 10.1 ↑</p> <p>33: 9.9 ↓</p> <p>34: 10.1 ←</p> <p>35: 10.5x ↑</p> <p>36: 10.8x ↓</p> <p>37: 9.9 ↓</p> <p>38: 10.5x ↓</p> <p>39: 9.9 ←</p> <p>40: 9.5 ↓</p>
Serie 98.0		Serie 101.3	
Total 294.4		Total 395.7	

<p>60 Skott</p>	<p>41: 9.3 ←</p> <p>42: 10.2x →</p> <p>43: 10.2x ↗</p> <p>44: 8.9 ←</p> <p>45: 10.7x ↗</p> <p>46: 9.7 ↑</p> <p>47: 9.7 ↗</p> <p>48: 10.3x ↗</p> <p>49: 8.9 ↗</p> <p>50: 9.9 ↗</p>	<p>60 Skott</p>	<p>51: 10.0 ↗</p> <p>52: 10.2x ←</p> <p>53: 10.1 ↓</p> <p>54: 10.5x →</p> <p>55: 8.6 ↗</p> <p>56: 10.2x →</p> <p>57: 10.3x ←</p> <p>58: 10.5x ↓</p> <p>59: 10.1 ↓</p> <p>60: 10.2x ←</p>
Serie 97.8		Serie 100.7	
Total 493.5		Total 594.2	

<p>Prov</p> 	<p>1: 9.3 → 2: 8.5 → 3: 10.0 ↗ 4: 9.8 ↘ 5: 9.7 → 6: 9.1 ← 7: 10.7x ↓ 8: 10.8x ↓ 9: 10.0 ↗ 10: 9.1 ←</p> <p>Serie 97.0 Total 0.0</p>	<p>Prov</p> 	<p>11: 10.0 ↓ 12: 10.4x ↑ 13: 10.1 ↖ 14: 9.7 ↗ 15: 10.4x ↓ 16: 10.3x ↖ 17: 10.2x ↖ 18: 9.4 ↗ 19: 10.5x ↓</p> <p>Serie 91.0 Total 0.0</p>
--	---	--	--

<p>60 Skott</p> 	<p>1: 10.2x ← 2: 10.3x ← 3: 10.2x ← 4: 10.5x ↓ 5: 9.8 → 6: 9.2 → 7: 9.6 ← 8: 10.0 ↓ 9: 9.7 ↓ 10: 9.8 ↗</p> <p>Serie 99.3 Total 99.3</p>	<p>60 Skott</p> 	<p>11: 10.9x → 12: 10.1 → 13: 9.8 ↗ 14: 9.7 ↗ 15: 9.9 ↗ 16: 10.1 ↑ 17: 10.4x ↓ 18: 10.1 ↗ 19: 9.5 ↓ 20: 10.0 ↗</p> <p>Serie 100.5 Total 199.8</p>
---	---	---	---

<p>60 Skott</p> 	<p>21: 8.1 ↓ 22: 10.6x ↗ 23: 10.1 → 24: 10.6x → 25: 10.7x ↗ 26: 9.8 ← 27: 9.5 ← 28: 9.4 ↗ 29: 10.1 ↑ 30: 9.7 ↘</p> <p>Serie 98.6 Total 298.4</p>	<p>60 Skott</p> 	<p>31: 9.3 → 32: 9.6 ↖ 33: 10.3x ← 34: 10.1 ↖ 35: 10.7x ↓ 36: 10.7x → 37: 10.7x ↗ 38: 10.0 ↓ 39: 10.7x ↓ 40: 10.3x →</p> <p>Serie 102.4 Total 400.8</p>
--	--	--	---

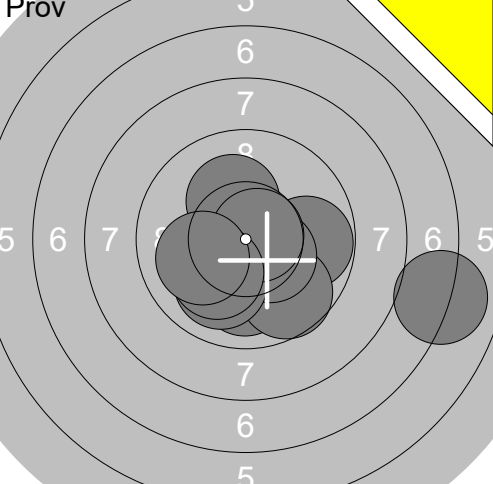
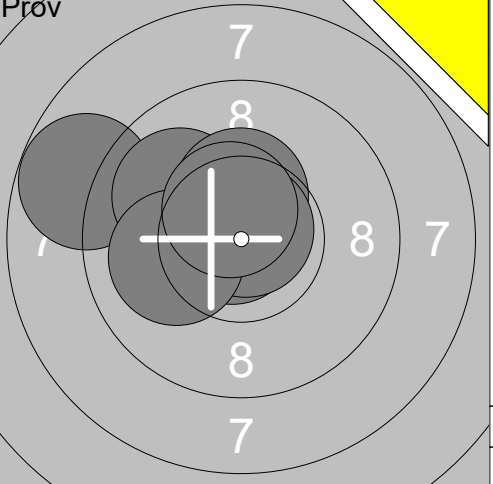
<p>60 Skott</p> 	<p>41: 10.1 ← 42: 10.4x ↗ 43: 10.4x ↗ 44: 10.4x ↑ 45: 9.9 ← 46: 9.4 ↑ 47: 10.2x → 48: 10.0 ↓ 49: 10.8x ↓ 50: 10.2x ↗</p> <p>Serie 101.8 Total 502.6</p>	<p>60 Skott</p> 	<p>51: 10.1 ↗ 52: 10.5x ↗ 53: 10.8x ↓ 54: 10.2x ↗ 55: 10.2x → 56: 10.5x ↗ 57: 10.5x ↓ 58: 10.5x ↓ 59: 10.6x ↓ 60: 10.5x ↘</p> <p>Serie 104.4 Total 607.0</p>
--	---	--	--

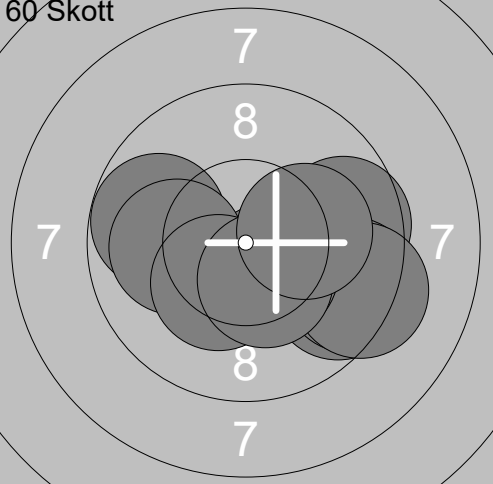
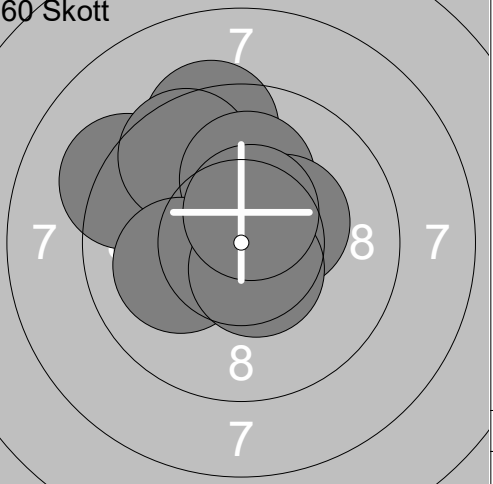
<p>Prov</p>	<p>1: 9.1 →</p> <p>2: 9.9 →</p> <p>3: 7.5 →</p> <p>4: 8.4 →</p> <p>5: 10.1 ←</p> <p>6: 8.7 ↗</p> <p>7: 9.2 ↓</p> <p>8: 8.5 ↗</p> <p>9: 9.2 ↓</p> <p>10: 7.4 ↙</p> <p>Serie 88.0</p> <p>Total 0.0</p>	<p>Prov</p>	<p>11: 9.3 →</p> <p>12: 8.7 ↙</p> <p>13: 10.1 ↖</p> <p>Serie 28.1</p> <p>Total 0.0</p>
--------------------	--	--------------------	--

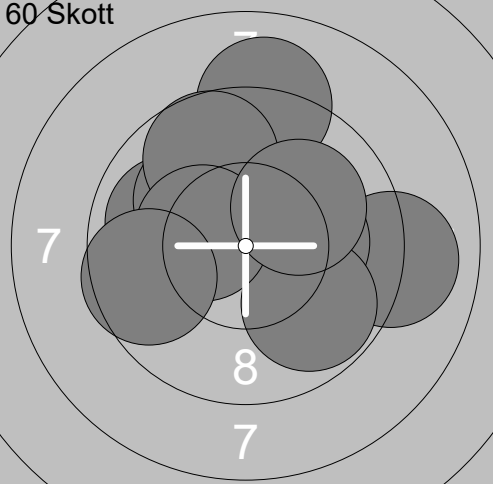
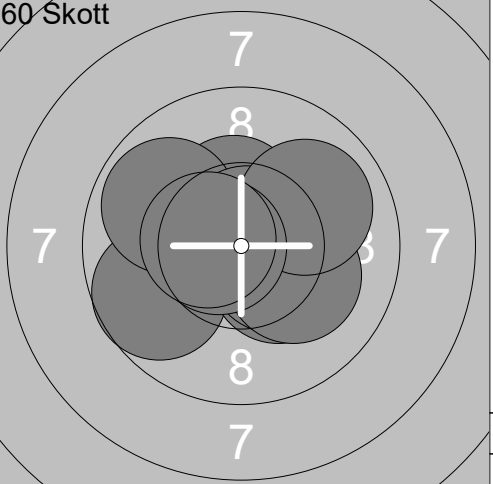
<p>60 Skott</p>	<p>1: 8.7 →</p> <p>2: 9.7 ↓</p> <p>3: 8.6 →</p> <p>4: 7.0 ←</p> <p>5: 8.5 ↙</p> <p>6: 7.6 →</p> <p>7: 8.2 →</p> <p>8: 8.0 ↙</p> <p>9: 9.9 →</p> <p>10: 8.0 ←</p> <p>Serie 84.2</p> <p>Total 84.2</p>	<p>60 Skott</p>	<p>11: 9.7 →</p> <p>12: 10.6x ↙</p> <p>13: 10.1 ↙</p> <p>14: 8.4 ←</p> <p>15: 9.1 ↙</p> <p>16: 7.1 ↓</p> <p>17: 9.0 ↘</p> <p>18: 9.1 ↓</p> <p>19: 10.1 ↘</p> <p>20: 6.9 ↘</p> <p>Serie 90.1</p> <p>Total 174.3</p>
------------------------	--	------------------------	--

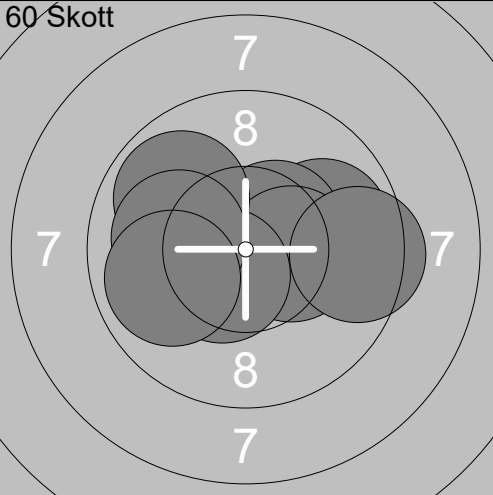
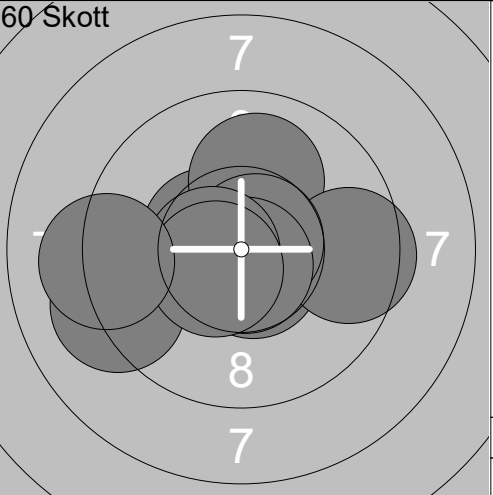
<p>60 Skott</p>	<p>21: 9.6 ↗</p> <p>22: 8.9 ←</p> <p>23: 9.9 →</p> <p>24: 9.4 ↓</p> <p>25: 8.9 ↓</p> <p>26: 8.6 ↗</p> <p>27: 10.5x ↗</p> <p>28: 10.3x ↗</p> <p>29: 10.5x ↓</p> <p>30: 7.6 ↗</p> <p>Serie 94.2</p> <p>Total 268.5</p>	<p>60 Skott</p>	<p>31: 9.5 ↗</p> <p>32: 9.0 →</p> <p>33: 9.3 ↙</p> <p>34: 8.8 ↗</p> <p>35: 7.4 ↙</p> <p>36: 7.8 →</p> <p>37: 7.4 ↙</p> <p>38: 8.0 ←</p> <p>39: 10.2x ↙</p> <p>40: 5.2 ↘</p> <p>Serie 82.6</p> <p>Total 351.1</p>
------------------------	--	------------------------	--

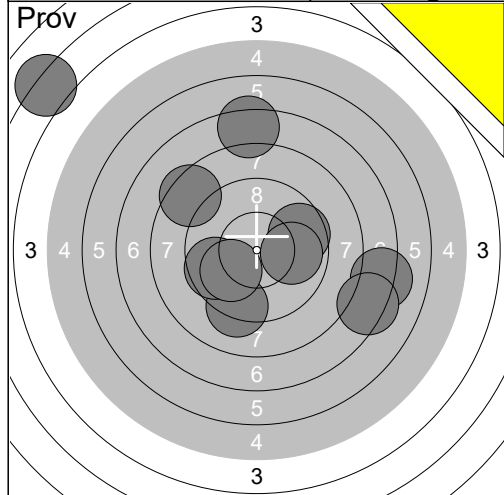
<p>60 Skott</p>	<p>41: 8.7 ↗</p> <p>42: 10.2x ↙</p> <p>43: 9.2 ↘</p> <p>44: 8.4 ↘</p> <p>45: 10.2x ↗</p> <p>46: 9.6 ↗</p> <p>47: 10.7x ↙</p> <p>48: 10.4x ↓</p> <p>49: 9.2 ↗</p> <p>50: 8.5 ←</p> <p>Serie 95.1</p> <p>Total 446.2</p>	<p>60 Skott</p>	<p>51: 6.3 ↙</p> <p>52: 10.2x ↘</p> <p>53: 10.2x ↘</p> <p>54: 7.5 →</p> <p>55: 8.2 →</p> <p>56: 9.4 ↘</p> <p>57: 9.8 ↗</p> <p>58: 10.0 ↘</p> <p>59: 10.1 →</p> <p>60: 9.5 ↓</p> <p>Serie 91.2</p> <p>Total 537.4</p>
------------------------	--	------------------------	--

	<table border="1" style="width:100%; border-collapse: collapse;"> <tr><td>1:</td><td>10.0</td><td>↓</td></tr> <tr><td>2:</td><td>7.0</td><td>→</td></tr> <tr><td>3:</td><td>9.8</td><td>→</td></tr> <tr><td>4:</td><td>9.7</td><td>↓</td></tr> <tr><td>5:</td><td>10.4x</td><td>↓</td></tr> <tr><td>6:</td><td>10.2x</td><td>↑</td></tr> <tr><td>7:</td><td>10.0</td><td>↓</td></tr> <tr><td>8:</td><td>10.7x</td><td>→</td></tr> <tr><td>9:</td><td>10.1</td><td>↓</td></tr> <tr><td>10:</td><td>10.0</td><td>←</td></tr> <tr><td colspan="2">Serie</td><td>97.9</td></tr> <tr><td colspan="2">Total</td><td>0.0</td></tr> </table>	1:	10.0	↓	2:	7.0	→	3:	9.8	→	4:	9.7	↓	5:	10.4x	↓	6:	10.2x	↑	7:	10.0	↓	8:	10.7x	→	9:	10.1	↓	10:	10.0	←	Serie		97.9	Total		0.0	 <table border="1" style="width:100%; border-collapse: collapse;"> <tr><td>11:</td><td>10.8x</td><td>↖</td></tr> <tr><td>12:</td><td>8.8</td><td>←</td></tr> <tr><td>13:</td><td>10.0</td><td>↖</td></tr> <tr><td>14:</td><td>10.4x</td><td>↑</td></tr> <tr><td>15:</td><td>10.8x</td><td>←</td></tr> <tr><td>16:</td><td>10.8x</td><td>↑</td></tr> <tr><td>17:</td><td>10.1</td><td>←</td></tr> <tr><td>18:</td><td>10.5x</td><td>↑</td></tr> <tr><td colspan="2">Serie</td><td>82.2</td></tr> <tr><td colspan="2">Total</td><td>0.0</td></tr> </table>	11:	10.8x	↖	12:	8.8	←	13:	10.0	↖	14:	10.4x	↑	15:	10.8x	←	16:	10.8x	↑	17:	10.1	←	18:	10.5x	↑	Serie		82.2	Total		0.0
1:	10.0	↓																																																																		
2:	7.0	→																																																																		
3:	9.8	→																																																																		
4:	9.7	↓																																																																		
5:	10.4x	↓																																																																		
6:	10.2x	↑																																																																		
7:	10.0	↓																																																																		
8:	10.7x	→																																																																		
9:	10.1	↓																																																																		
10:	10.0	←																																																																		
Serie		97.9																																																																		
Total		0.0																																																																		
11:	10.8x	↖																																																																		
12:	8.8	←																																																																		
13:	10.0	↖																																																																		
14:	10.4x	↑																																																																		
15:	10.8x	←																																																																		
16:	10.8x	↑																																																																		
17:	10.1	←																																																																		
18:	10.5x	↑																																																																		
Serie		82.2																																																																		
Total		0.0																																																																		

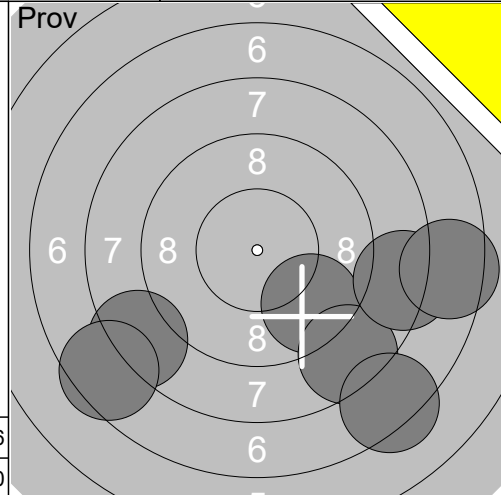
	<table border="1" style="width:100%; border-collapse: collapse;"> <tr><td>1:</td><td>9.6</td><td>↘</td></tr> <tr><td>2:</td><td>9.6</td><td>→</td></tr> <tr><td>3:</td><td>9.8</td><td>↖</td></tr> <tr><td>4:</td><td>9.5</td><td>↘</td></tr> <tr><td>5:</td><td>9.3</td><td>↘</td></tr> <tr><td>6:</td><td>10.5x</td><td>↓</td></tr> <tr><td>7:</td><td>10.0</td><td>←</td></tr> <tr><td>8:</td><td>10.3x</td><td>↓</td></tr> <tr><td>9:</td><td>10.4x</td><td>↓</td></tr> <tr><td>10:</td><td>10.2x</td><td>→</td></tr> <tr><td colspan="2">Serie</td><td>99.2</td></tr> <tr><td colspan="2">Total</td><td>99.2</td></tr> </table>	1:	9.6	↘	2:	9.6	→	3:	9.8	↖	4:	9.5	↘	5:	9.3	↘	6:	10.5x	↓	7:	10.0	←	8:	10.3x	↓	9:	10.4x	↓	10:	10.2x	→	Serie		99.2	Total		99.2	 <table border="1" style="width:100%; border-collapse: collapse;"> <tr><td>11:</td><td>9.2</td><td>↖</td></tr> <tr><td>12:</td><td>9.4</td><td>↑</td></tr> <tr><td>13:</td><td>9.6</td><td>↖</td></tr> <tr><td>14:</td><td>10.1</td><td>↑</td></tr> <tr><td>15:</td><td>10.8x</td><td>→</td></tr> <tr><td>16:</td><td>10.6x</td><td>↗</td></tr> <tr><td>17:</td><td>10.3x</td><td>↗</td></tr> <tr><td>18:</td><td>10.1</td><td>←</td></tr> <tr><td>19:</td><td>10.5x</td><td>↓</td></tr> <tr><td>20:</td><td>10.5x</td><td>↑</td></tr> <tr><td colspan="2">Serie</td><td>101.1</td></tr> <tr><td colspan="2">Total</td><td>200.3</td></tr> </table>	11:	9.2	↖	12:	9.4	↑	13:	9.6	↖	14:	10.1	↑	15:	10.8x	→	16:	10.6x	↗	17:	10.3x	↗	18:	10.1	←	19:	10.5x	↓	20:	10.5x	↑	Serie		101.1	Total		200.3
1:	9.6	↘																																																																								
2:	9.6	→																																																																								
3:	9.8	↖																																																																								
4:	9.5	↘																																																																								
5:	9.3	↘																																																																								
6:	10.5x	↓																																																																								
7:	10.0	←																																																																								
8:	10.3x	↓																																																																								
9:	10.4x	↓																																																																								
10:	10.2x	→																																																																								
Serie		99.2																																																																								
Total		99.2																																																																								
11:	9.2	↖																																																																								
12:	9.4	↑																																																																								
13:	9.6	↖																																																																								
14:	10.1	↑																																																																								
15:	10.8x	→																																																																								
16:	10.6x	↗																																																																								
17:	10.3x	↗																																																																								
18:	10.1	←																																																																								
19:	10.5x	↓																																																																								
20:	10.5x	↑																																																																								
Serie		101.1																																																																								
Total		200.3																																																																								

	<table border="1" style="width:100%; border-collapse: collapse;"> <tr><td>21:</td><td>9.0</td><td>→</td></tr> <tr><td>22:</td><td>9.9</td><td>←</td></tr> <tr><td>23:</td><td>9.1</td><td>↑</td></tr> <tr><td>24:</td><td>10.1</td><td>↗</td></tr> <tr><td>25:</td><td>10.2x</td><td>→</td></tr> <tr><td>26:</td><td>9.7</td><td>↗</td></tr> <tr><td>27:</td><td>9.8</td><td>↓</td></tr> <tr><td>28:</td><td>10.4x</td><td>↖</td></tr> <tr><td>29:</td><td>10.1</td><td>↗</td></tr> <tr><td>30:</td><td>9.6</td><td>←</td></tr> <tr><td colspan="2">Serie</td><td>97.9</td></tr> <tr><td colspan="2">Total</td><td>298.2</td></tr> </table>	21:	9.0	→	22:	9.9	←	23:	9.1	↑	24:	10.1	↗	25:	10.2x	→	26:	9.7	↗	27:	9.8	↓	28:	10.4x	↖	29:	10.1	↗	30:	9.6	←	Serie		97.9	Total		298.2	 <table border="1" style="width:100%; border-collapse: collapse;"> <tr><td>31:</td><td>10.4x</td><td>↑</td></tr> <tr><td>32:</td><td>9.7</td><td>←</td></tr> <tr><td>33:</td><td>10.3x</td><td>↘</td></tr> <tr><td>34:</td><td>9.9</td><td>↖</td></tr> <tr><td>35:</td><td>10.8x</td><td>↑</td></tr> <tr><td>36:</td><td>10.4x</td><td>↘</td></tr> <tr><td>37:</td><td>10.2x</td><td>↘</td></tr> <tr><td>38:</td><td>10.0</td><td>↗</td></tr> <tr><td>39:</td><td>10.7x</td><td>←</td></tr> <tr><td>40:</td><td>10.5x</td><td>←</td></tr> <tr><td colspan="2">Serie</td><td>102.9</td></tr> <tr><td colspan="2">Total</td><td>401.1</td></tr> </table>	31:	10.4x	↑	32:	9.7	←	33:	10.3x	↘	34:	9.9	↖	35:	10.8x	↑	36:	10.4x	↘	37:	10.2x	↘	38:	10.0	↗	39:	10.7x	←	40:	10.5x	←	Serie		102.9	Total		401.1
21:	9.0	→																																																																								
22:	9.9	←																																																																								
23:	9.1	↑																																																																								
24:	10.1	↗																																																																								
25:	10.2x	→																																																																								
26:	9.7	↗																																																																								
27:	9.8	↓																																																																								
28:	10.4x	↖																																																																								
29:	10.1	↗																																																																								
30:	9.6	←																																																																								
Serie		97.9																																																																								
Total		298.2																																																																								
31:	10.4x	↑																																																																								
32:	9.7	←																																																																								
33:	10.3x	↘																																																																								
34:	9.9	↖																																																																								
35:	10.8x	↑																																																																								
36:	10.4x	↘																																																																								
37:	10.2x	↘																																																																								
38:	10.0	↗																																																																								
39:	10.7x	←																																																																								
40:	10.5x	←																																																																								
Serie		102.9																																																																								
Total		401.1																																																																								

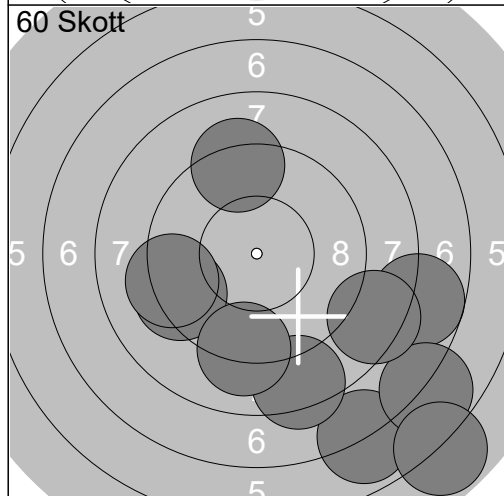
	<table border="1" style="width:100%; border-collapse: collapse;"> <tr><td>41:</td><td>9.9</td><td>↖</td></tr> <tr><td>42:</td><td>9.9</td><td>→</td></tr> <tr><td>43:</td><td>10.5x</td><td>↖</td></tr> <tr><td>44:</td><td>10.5x</td><td>↗</td></tr> <tr><td>45:</td><td>10.4x</td><td>→</td></tr> <tr><td>46:</td><td>10.5x</td><td>↘</td></tr> <tr><td>47:</td><td>9.9</td><td>↗</td></tr> <tr><td>48:</td><td>10.1</td><td>←</td></tr> <tr><td>49:</td><td>9.5</td><td>→</td></tr> <tr><td>50:</td><td>9.9</td><td>←</td></tr> <tr><td colspan="2">Serie</td><td>101.1</td></tr> <tr><td colspan="2">Total</td><td>502.2</td></tr> </table>	41:	9.9	↖	42:	9.9	→	43:	10.5x	↖	44:	10.5x	↗	45:	10.4x	→	46:	10.5x	↘	47:	9.9	↗	48:	10.1	←	49:	9.5	→	50:	9.9	←	Serie		101.1	Total		502.2	 <table border="1" style="width:100%; border-collapse: collapse;"> <tr><td>51:</td><td>10.5x</td><td>↖</td></tr> <tr><td>52:</td><td>10.0</td><td>↑</td></tr> <tr><td>53:</td><td>10.6x</td><td>↓</td></tr> <tr><td>54:</td><td>9.5</td><td>→</td></tr> <tr><td>55:</td><td>10.7x</td><td>↗</td></tr> <tr><td>56:</td><td>10.7x</td><td>↓</td></tr> <tr><td>57:</td><td>10.6x</td><td>←</td></tr> <tr><td>58:</td><td>9.2</td><td>←</td></tr> <tr><td>59:</td><td>10.5x</td><td>↖</td></tr> <tr><td>60:</td><td>9.2</td><td>←</td></tr> <tr><td colspan="2">Serie</td><td>101.5</td></tr> <tr><td colspan="2">Total</td><td>603.7</td></tr> </table>	51:	10.5x	↖	52:	10.0	↑	53:	10.6x	↓	54:	9.5	→	55:	10.7x	↗	56:	10.7x	↓	57:	10.6x	←	58:	9.2	←	59:	10.5x	↖	60:	9.2	←	Serie		101.5	Total		603.7
41:	9.9	↖																																																																								
42:	9.9	→																																																																								
43:	10.5x	↖																																																																								
44:	10.5x	↗																																																																								
45:	10.4x	→																																																																								
46:	10.5x	↘																																																																								
47:	9.9	↗																																																																								
48:	10.1	←																																																																								
49:	9.5	→																																																																								
50:	9.9	←																																																																								
Serie		101.1																																																																								
Total		502.2																																																																								
51:	10.5x	↖																																																																								
52:	10.0	↑																																																																								
53:	10.6x	↓																																																																								
54:	9.5	→																																																																								
55:	10.7x	↗																																																																								
56:	10.7x	↓																																																																								
57:	10.6x	←																																																																								
58:	9.2	←																																																																								
59:	10.5x	↖																																																																								
60:	9.2	←																																																																								
Serie		101.5																																																																								
Total		603.7																																																																								



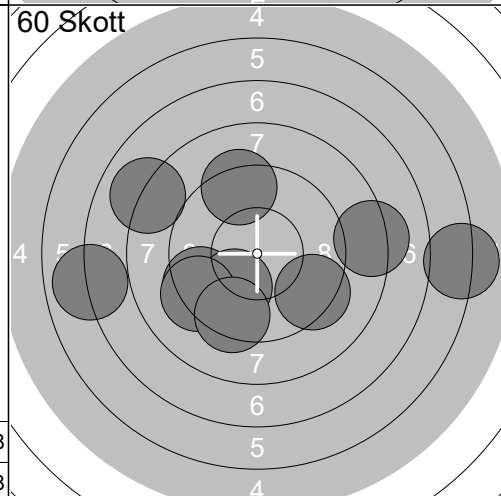
1:	3.1	↗
2:	8.4	↗
3:	9.2	↘
4:	7.2	→
5:	9.6	←
6:	7.3	↘
7:	9.6	→
8:	9.9	→
9:	7.3	↑
10:	10.0	↙
Serie	81.6	
Total	0.0	



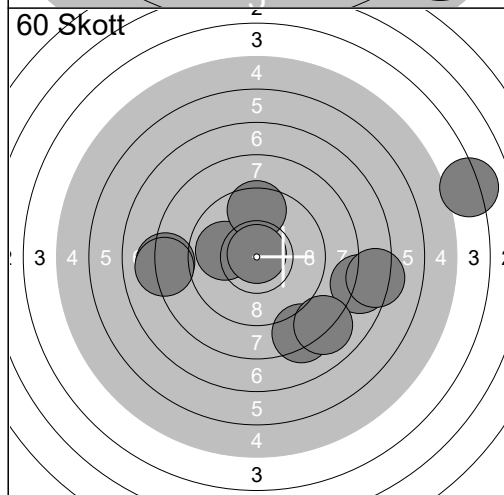
11:	9.6	↘
12:	8.5	↘
13:	8.3	↙
14:	7.5	↙
15:	7.3	↘
16:	8.3	→
17:	7.5	→
Serie	57.0	
Total	0.0	



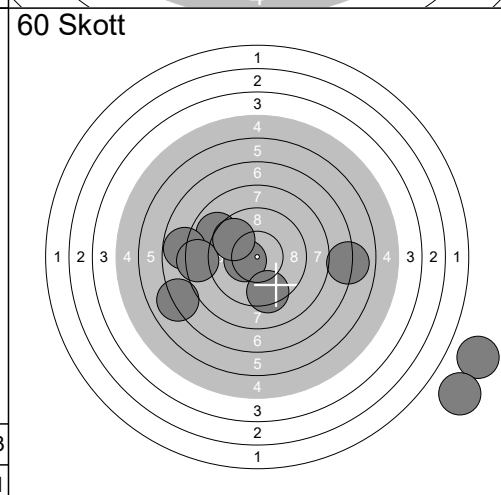
1:	6.9	↘
2:	9.2	↑
3:	8.4	↘
4:	9.3	↙
5:	7.7	→
6:	9.1	↘
7:	6.8	↘
8:	8.4	↘
9:	5.8	↘
10:	9.2	←
Serie	80.8	
Total	80.8	



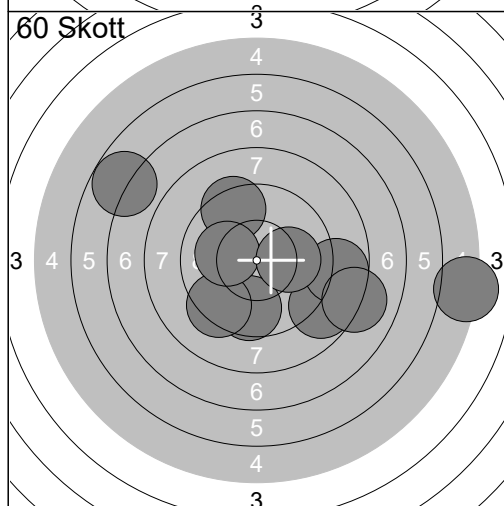
11:	6.1	→
12:	6.9	←
13:	9.4	↙
14:	8.0	↖
15:	9.4	↘
16:	10.0	↘
17:	9.3	↑
18:	9.3	↙
19:	9.4	↘
20:	8.2	→
Serie	86.0	
Total	166.8	



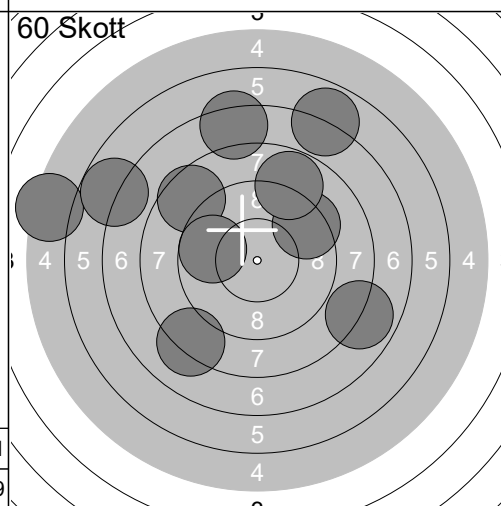
21:	8.2	←
22:	7.7	→
23:	8.3	↘
24:	7.3	→
25:	8.1	←
26:	10.0	←
27:	9.5	↑
28:	8.1	↘
29:	4.2	→
30:	10.9x	↑
Serie	82.3	
Total	249.1	



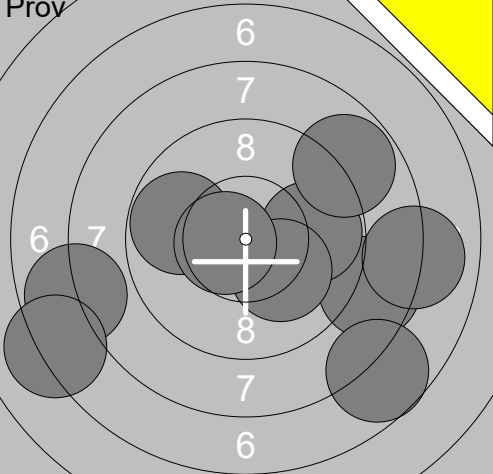
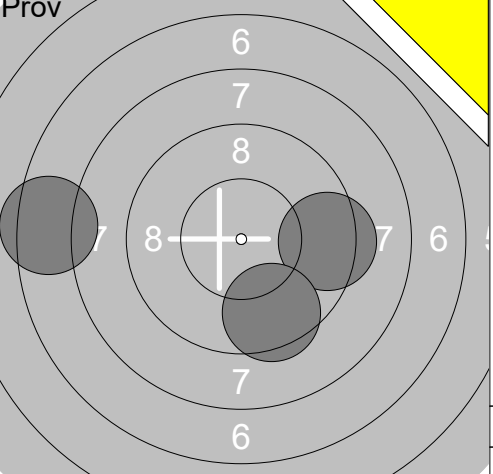
31:	7.0	→
32:	10.4x	←
33:	7.1	↙
34:	8.9	↖
35:	0.0	↘
36:	0.0	↘
37:	7.8	←
38:	8.4	←
39:	9.7	↖
40:	9.4	↘
Serie	68.7	
Total	317.8	

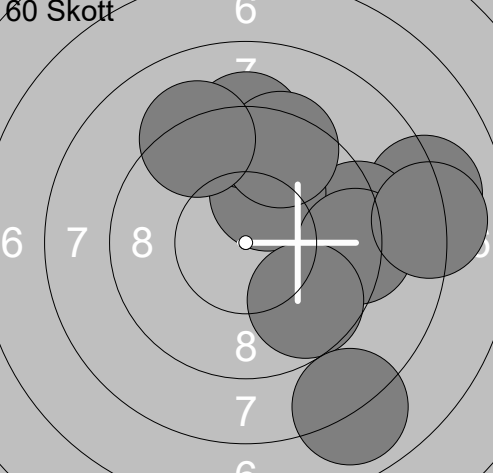
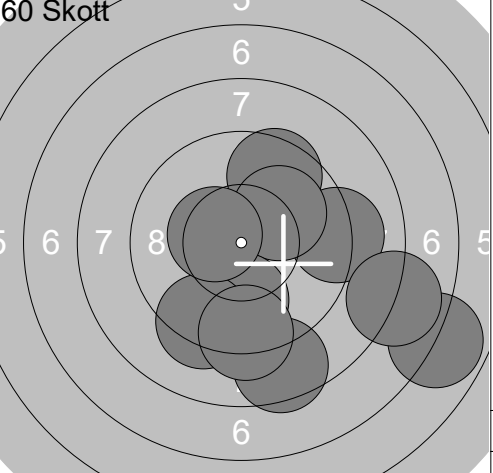


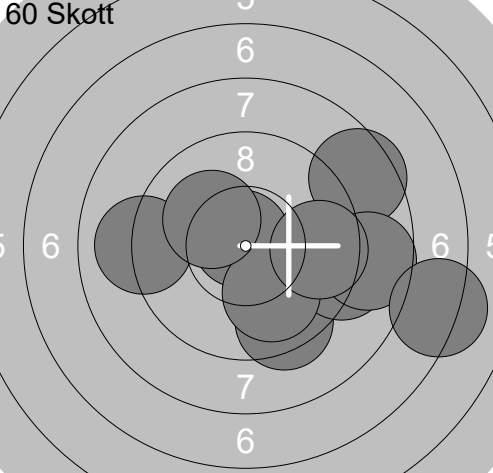
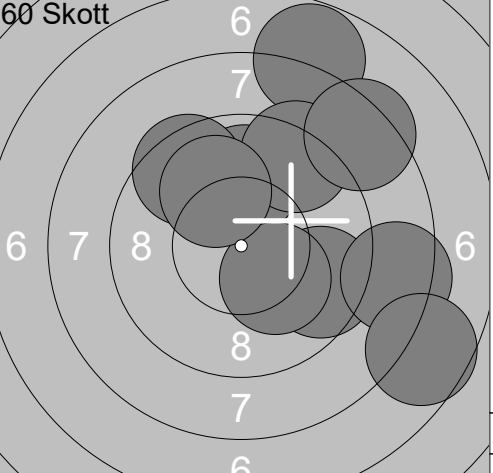
41:	9.6	↘
42:	9.3	↘
43:	8.8	↘
44:	8.8	→
45:	9.4	↗
46:	10.1	↙
47:	10.1	→
48:	6.8	↗
49:	8.1	↘
50:	5.1	→
Serie	86.1	
Total	403.9	

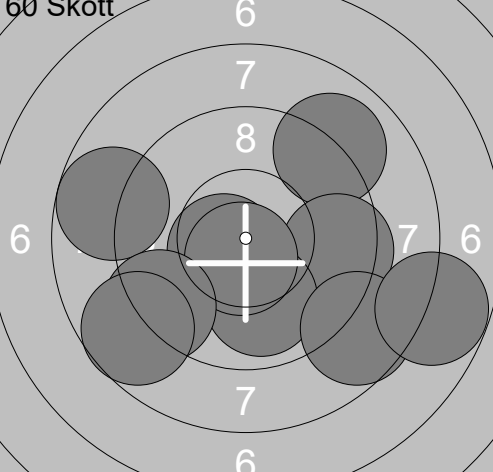
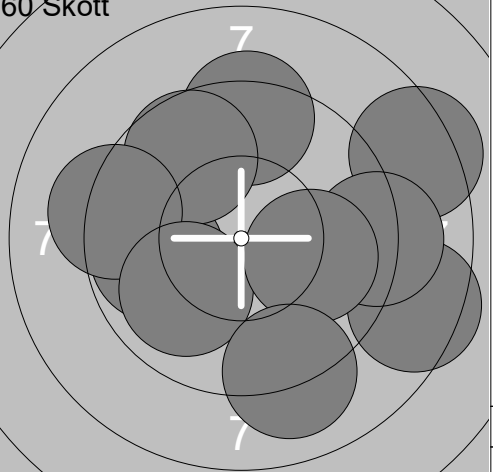


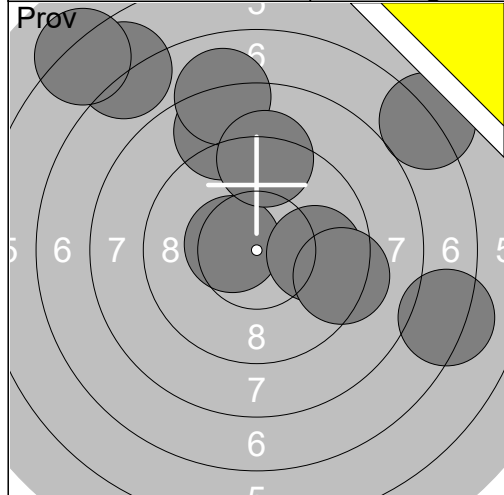
51:	8.2	↘
52:	5.3	←
53:	7.3	↑
54:	7.9	↘
55:	9.3	↗
56:	8.8	↗
57:	8.6	↗
58:	9.7	←
59:	6.9	↗
60:	6.8	↙
Serie	78.8	
Total	482.7	

	<table style="width:100%; border-collapse: collapse;"> <tr><td>1:</td><td>7.8</td><td>←</td></tr> <tr><td>2:</td><td>8.6</td><td>→</td></tr> <tr><td>3:</td><td>7.7</td><td>↘</td></tr> <tr><td>4:</td><td>9.8</td><td>←</td></tr> <tr><td>5:</td><td>9.8</td><td>→</td></tr> <tr><td>6:</td><td>7.1</td><td>←</td></tr> <tr><td>7:</td><td>8.8</td><td>↗</td></tr> <tr><td>8:</td><td>10.1</td><td>↘</td></tr> <tr><td>9:</td><td>8.0</td><td>→</td></tr> <tr><td>10:</td><td>10.6x</td><td>←</td></tr> <tr><td colspan="2">Serie</td><td>88.3</td></tr> <tr><td colspan="2">Total</td><td>0.0</td></tr> </table>	1:	7.8	←	2:	8.6	→	3:	7.7	↘	4:	9.8	←	5:	9.8	→	6:	7.1	←	7:	8.8	↗	8:	10.1	↘	9:	8.0	→	10:	10.6x	←	Serie		88.3	Total		0.0		<table style="width:100%; border-collapse: collapse;"> <tr><td>11:</td><td>9.4</td><td>→</td></tr> <tr><td>12:</td><td>7.4</td><td>←</td></tr> <tr><td>13:</td><td>9.5</td><td>↘</td></tr> <tr><td colspan="2">Serie</td><td>26.3</td></tr> <tr><td colspan="2">Total</td><td>0.0</td></tr> </table>	11:	9.4	→	12:	7.4	←	13:	9.5	↘	Serie		26.3	Total		0.0
1:	7.8	←																																																				
2:	8.6	→																																																				
3:	7.7	↘																																																				
4:	9.8	←																																																				
5:	9.8	→																																																				
6:	7.1	←																																																				
7:	8.8	↗																																																				
8:	10.1	↘																																																				
9:	8.0	→																																																				
10:	10.6x	←																																																				
Serie		88.3																																																				
Total		0.0																																																				
11:	9.4	→																																																				
12:	7.4	←																																																				
13:	9.5	↘																																																				
Serie		26.3																																																				
Total		0.0																																																				

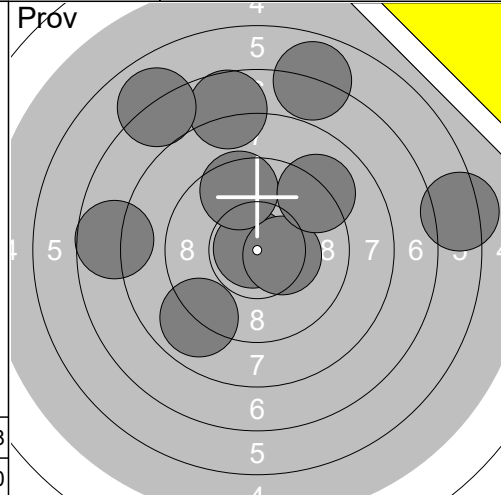
	<table style="width:100%; border-collapse: collapse;"> <tr><td>1:</td><td>8.1</td><td>→</td></tr> <tr><td>2:</td><td>9.2</td><td>→</td></tr> <tr><td>3:</td><td>10.1</td><td>↗</td></tr> <tr><td>4:</td><td>9.2</td><td>↗</td></tr> <tr><td>5:</td><td>9.4</td><td>↗</td></tr> <tr><td>6:</td><td>9.3</td><td>→</td></tr> <tr><td>7:</td><td>9.7</td><td>↘</td></tr> <tr><td>8:</td><td>8.0</td><td>↘</td></tr> <tr><td>9:</td><td>8.1</td><td>→</td></tr> <tr><td>10:</td><td>9.2</td><td>↗</td></tr> <tr><td colspan="2">Serie</td><td>90.3</td></tr> <tr><td colspan="2">Total</td><td>90.3</td></tr> </table>	1:	8.1	→	2:	9.2	→	3:	10.1	↗	4:	9.2	↗	5:	9.4	↗	6:	9.3	→	7:	9.7	↘	8:	8.0	↘	9:	8.1	→	10:	9.2	↗	Serie		90.3	Total		90.3		<table style="width:100%; border-collapse: collapse;"> <tr><td>11:</td><td>6.8</td><td>↘</td></tr> <tr><td>12:</td><td>9.1</td><td>→</td></tr> <tr><td>13:</td><td>9.5</td><td>↗</td></tr> <tr><td>14:</td><td>10.0</td><td>↗</td></tr> <tr><td>15:</td><td>9.9</td><td>↘</td></tr> <tr><td>16:</td><td>8.5</td><td>↘</td></tr> <tr><td>17:</td><td>9.3</td><td>↘</td></tr> <tr><td>18:</td><td>10.4x</td><td>←</td></tr> <tr><td>19:</td><td>9.2</td><td>↘</td></tr> <tr><td>20:</td><td>7.9</td><td>→</td></tr> <tr><td colspan="2">Serie</td><td>90.6</td></tr> <tr><td colspan="2">Total</td><td>180.9</td></tr> </table>	11:	6.8	↘	12:	9.1	→	13:	9.5	↗	14:	10.0	↗	15:	9.9	↘	16:	8.5	↘	17:	9.3	↘	18:	10.4x	←	19:	9.2	↘	20:	7.9	→	Serie		90.6	Total		180.9
1:	8.1	→																																																																									
2:	9.2	→																																																																									
3:	10.1	↗																																																																									
4:	9.2	↗																																																																									
5:	9.4	↗																																																																									
6:	9.3	→																																																																									
7:	9.7	↘																																																																									
8:	8.0	↘																																																																									
9:	8.1	→																																																																									
10:	9.2	↗																																																																									
Serie		90.3																																																																									
Total		90.3																																																																									
11:	6.8	↘																																																																									
12:	9.1	→																																																																									
13:	9.5	↗																																																																									
14:	10.0	↗																																																																									
15:	9.9	↘																																																																									
16:	8.5	↘																																																																									
17:	9.3	↘																																																																									
18:	10.4x	←																																																																									
19:	9.2	↘																																																																									
20:	7.9	→																																																																									
Serie		90.6																																																																									
Total		180.9																																																																									

	<table style="width:100%; border-collapse: collapse;"> <tr><td>21:</td><td>9.4</td><td>↘</td></tr> <tr><td>22:</td><td>10.8x</td><td>↗</td></tr> <tr><td>23:</td><td>9.1</td><td>←</td></tr> <tr><td>24:</td><td>8.5</td><td>↗</td></tr> <tr><td>25:</td><td>9.1</td><td>→</td></tr> <tr><td>26:</td><td>10.0</td><td>↘</td></tr> <tr><td>27:</td><td>10.2x</td><td>↗</td></tr> <tr><td>28:</td><td>8.7</td><td>→</td></tr> <tr><td>29:</td><td>9.6</td><td>→</td></tr> <tr><td>30:</td><td>7.2</td><td>→</td></tr> <tr><td colspan="2">Serie</td><td>92.6</td></tr> <tr><td colspan="2">Total</td><td>273.5</td></tr> </table>	21:	9.4	↘	22:	10.8x	↗	23:	9.1	←	24:	8.5	↗	25:	9.1	→	26:	10.0	↘	27:	10.2x	↗	28:	8.7	→	29:	9.6	→	30:	7.2	→	Serie		92.6	Total		273.5		<table style="width:100%; border-collapse: collapse;"> <tr><td>31:</td><td>9.9</td><td>↗</td></tr> <tr><td>32:</td><td>9.5</td><td>↘</td></tr> <tr><td>33:</td><td>9.5</td><td>↗</td></tr> <tr><td>34:</td><td>8.4</td><td>→</td></tr> <tr><td>35:</td><td>7.8</td><td>↗</td></tr> <tr><td>36:</td><td>9.3</td><td>↗</td></tr> <tr><td>37:</td><td>10.2x</td><td>↘</td></tr> <tr><td>38:</td><td>8.3</td><td>↗</td></tr> <tr><td>39:</td><td>10.0</td><td>↗</td></tr> <tr><td>40:</td><td>7.6</td><td>↘</td></tr> <tr><td colspan="2">Serie</td><td>90.5</td></tr> <tr><td colspan="2">Total</td><td>364.0</td></tr> </table>	31:	9.9	↗	32:	9.5	↘	33:	9.5	↗	34:	8.4	→	35:	7.8	↗	36:	9.3	↗	37:	10.2x	↘	38:	8.3	↗	39:	10.0	↗	40:	7.6	↘	Serie		90.5	Total		364.0
21:	9.4	↘																																																																									
22:	10.8x	↗																																																																									
23:	9.1	←																																																																									
24:	8.5	↗																																																																									
25:	9.1	→																																																																									
26:	10.0	↘																																																																									
27:	10.2x	↗																																																																									
28:	8.7	→																																																																									
29:	9.6	→																																																																									
30:	7.2	→																																																																									
Serie		92.6																																																																									
Total		273.5																																																																									
31:	9.9	↗																																																																									
32:	9.5	↘																																																																									
33:	9.5	↗																																																																									
34:	8.4	→																																																																									
35:	7.8	↗																																																																									
36:	9.3	↗																																																																									
37:	10.2x	↘																																																																									
38:	8.3	↗																																																																									
39:	10.0	↗																																																																									
40:	7.6	↘																																																																									
Serie		90.5																																																																									
Total		364.0																																																																									

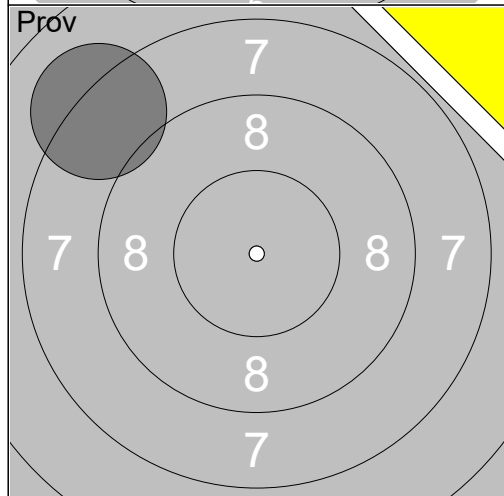
	<table style="width:100%; border-collapse: collapse;"> <tr><td>41:</td><td>9.0</td><td>↗</td></tr> <tr><td>42:</td><td>10.6x</td><td>←</td></tr> <tr><td>43:</td><td>8.7</td><td>←</td></tr> <tr><td>44:</td><td>9.5</td><td>→</td></tr> <tr><td>45:</td><td>9.9</td><td>↘</td></tr> <tr><td>46:</td><td>10.6x</td><td>↘</td></tr> <tr><td>47:</td><td>9.2</td><td>←</td></tr> <tr><td>48:</td><td>8.7</td><td>←</td></tr> <tr><td>49:</td><td>8.7</td><td>↘</td></tr> <tr><td>50:</td><td>7.8</td><td>→</td></tr> <tr><td colspan="2">Serie</td><td>92.7</td></tr> <tr><td colspan="2">Total</td><td>456.7</td></tr> </table>	41:	9.0	↗	42:	10.6x	←	43:	8.7	←	44:	9.5	→	45:	9.9	↘	46:	10.6x	↘	47:	9.2	←	48:	8.7	←	49:	8.7	↘	50:	7.8	→	Serie		92.7	Total		456.7		<table style="width:100%; border-collapse: collapse;"> <tr><td>51:</td><td>8.5</td><td>→</td></tr> <tr><td>52:</td><td>9.8</td><td>←</td></tr> <tr><td>53:</td><td>9.3</td><td>↗</td></tr> <tr><td>54:</td><td>9.7</td><td>↗</td></tr> <tr><td>55:</td><td>8.4</td><td>↗</td></tr> <tr><td>56:</td><td>9.2</td><td>←</td></tr> <tr><td>57:</td><td>10.0</td><td>↘</td></tr> <tr><td>58:</td><td>9.1</td><td>→</td></tr> <tr><td>59:</td><td>10.0</td><td>→</td></tr> <tr><td>60:</td><td>9.1</td><td>↘</td></tr> <tr><td colspan="2">Serie</td><td>93.1</td></tr> <tr><td colspan="2">Total</td><td>549.8</td></tr> </table>	51:	8.5	→	52:	9.8	←	53:	9.3	↗	54:	9.7	↗	55:	8.4	↗	56:	9.2	←	57:	10.0	↘	58:	9.1	→	59:	10.0	→	60:	9.1	↘	Serie		93.1	Total		549.8
41:	9.0	↗																																																																									
42:	10.6x	←																																																																									
43:	8.7	←																																																																									
44:	9.5	→																																																																									
45:	9.9	↘																																																																									
46:	10.6x	↘																																																																									
47:	9.2	←																																																																									
48:	8.7	←																																																																									
49:	8.7	↘																																																																									
50:	7.8	→																																																																									
Serie		92.7																																																																									
Total		456.7																																																																									
51:	8.5	→																																																																									
52:	9.8	←																																																																									
53:	9.3	↗																																																																									
54:	9.7	↗																																																																									
55:	8.4	↗																																																																									
56:	9.2	←																																																																									
57:	10.0	↘																																																																									
58:	9.1	→																																																																									
59:	10.0	→																																																																									
60:	9.1	↘																																																																									
Serie		93.1																																																																									
Total		549.8																																																																									



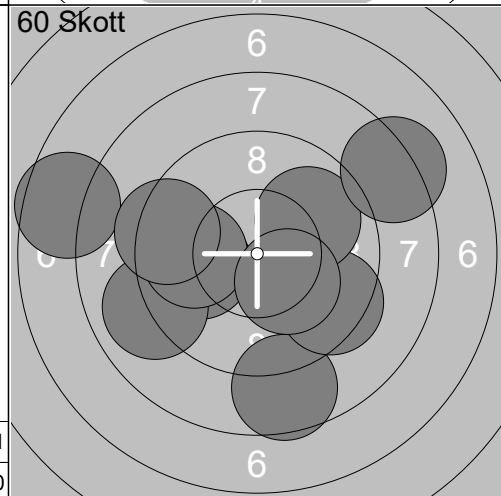
1:	8.7	↖
2:	7.0	↗
3:	10.5x	↖
4:	7.2	↗
5:	6.8	↗
6:	8.0	↖
7:	9.3	↖
8:	9.9	↗
9:	9.3	↗
10:	6.1	↗
Serie		82.8
Total		0.0



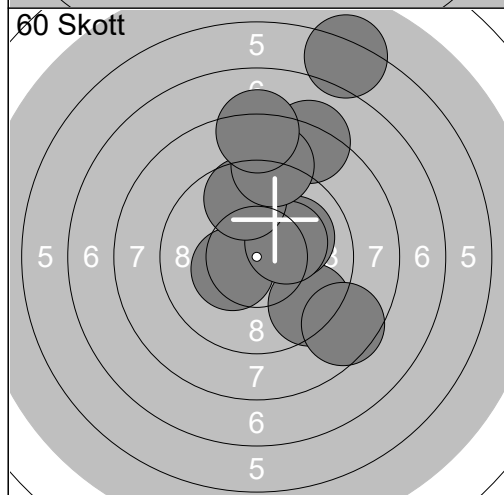
11:	10.8x	↖
12:	7.7	↖
13:	10.4x	↗
14:	6.9	↖
15:	7.7	↖
16:	9.5	↖
17:	7.0	↖
18:	6.3	↗
19:	9.1	↗
20:	8.9	↘
Serie		84.3
Total		0.0



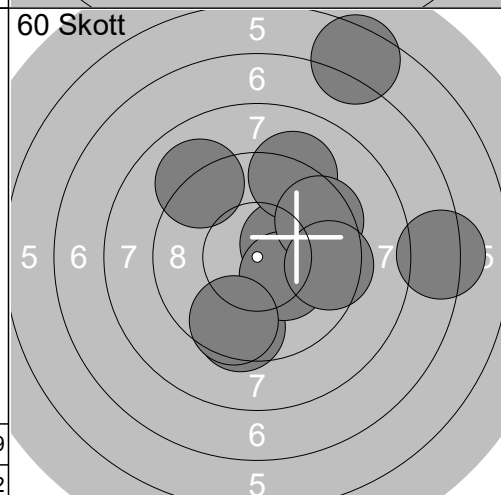
21:	8.1	↖
Serie		8.1
Total		0.0



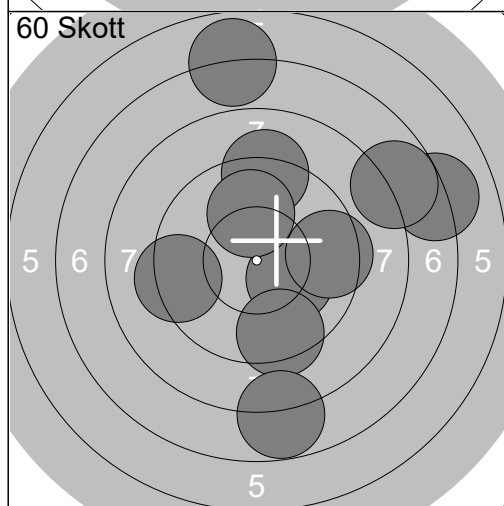
1:	9.9	↖
2:	9.0	↖
3:	9.9	↖
4:	8.6	↘
5:	9.5	↘
6:	7.6	↖
7:	9.4	↖
8:	9.9	↗
9:	8.2	↗
10:	10.3x	↘
Serie		92.3
Total		92.3



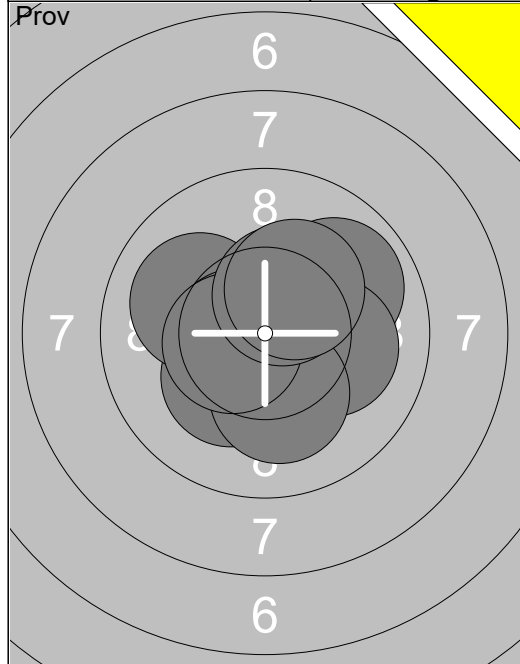
11:	9.4	↘
12:	6.2	↖
13:	10.1	↗
14:	8.6	↘
15:	10.4x	↖
16:	10.2x	↗
17:	8.2	↖
18:	9.7	↖
19:	8.9	↖
20:	8.2	↖
Serie		89.9
Total		182.2



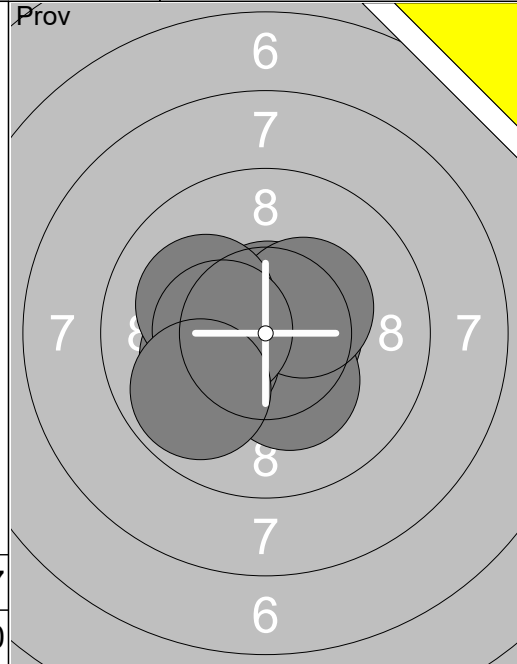
21:	9.5	↘
22:	10.3x	↗
23:	7.2	↗
24:	9.2	↖
25:	10.3x	↘
26:	9.1	↖
27:	6.5	↖
28:	9.5	↗
29:	9.5	↗
30:	9.6	↘
Serie		90.7
Total		272.9



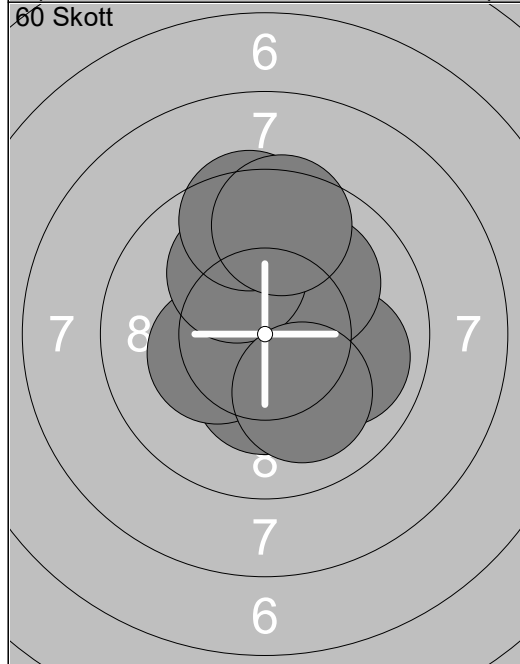
31:	9.3	↖
32:	10.2x	↘
33:	7.1	↗
34:	7.7	↗
35:	9.4	↘
36:	7.8	↘
37:	9.2	↖
38:	6.9	↖
39:	10.0	↖
40:	9.5	↗
Serie		87.1
Total		360.0



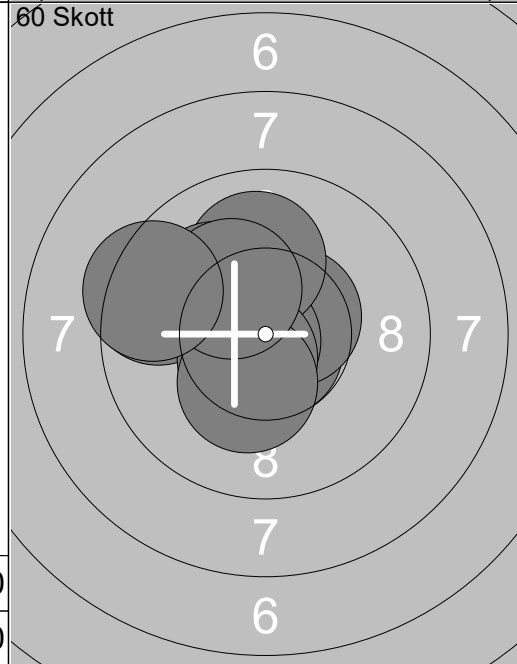
1:	10.2x ↘
2:	10.0 ↙
3:	10.5x ➤
4:	9.9 ↗
5:	10.6x ↖
6:	10.1 ➔
7:	10.2x ↓
8:	10.5x ↙
9:	10.4x ↗
10:	10.3x ↗
Serie 102.7	
Total 0.0	



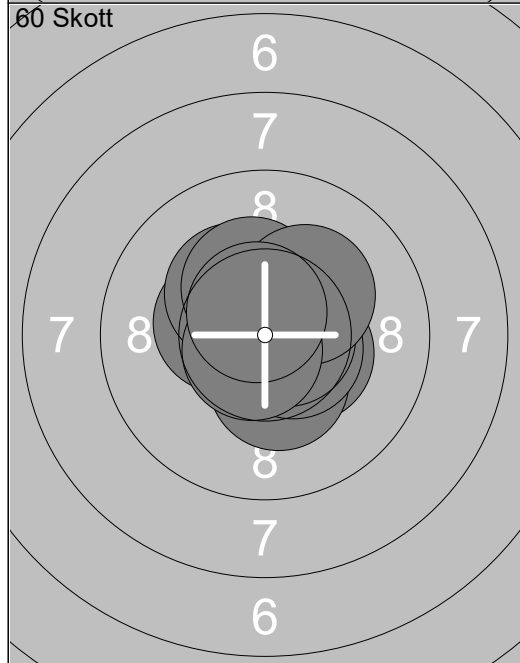
11:	10.7x ↗
12:	10.6x ➤
13:	10.3x ↘
14:	10.4x ↗
15:	10.2x ↖
16:	10.1 ↙
17:	10.4x ↖
18:	9.9 ↙
Serie 82.6	
Total 0.0	



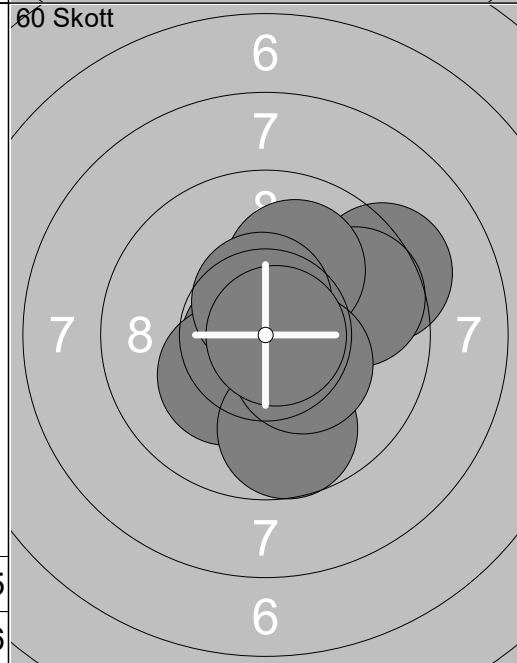
1:	10.0 ➔
2:	10.8x ↗
3:	10.3x ↓
4:	10.3x ↗
5:	10.1 ↗
6:	10.3x ↖
7:	10.1 ↗
8:	9.5 ↑
9:	9.5 ↑
10:	10.1 ↓
Serie 101.0	
Total 101.0	



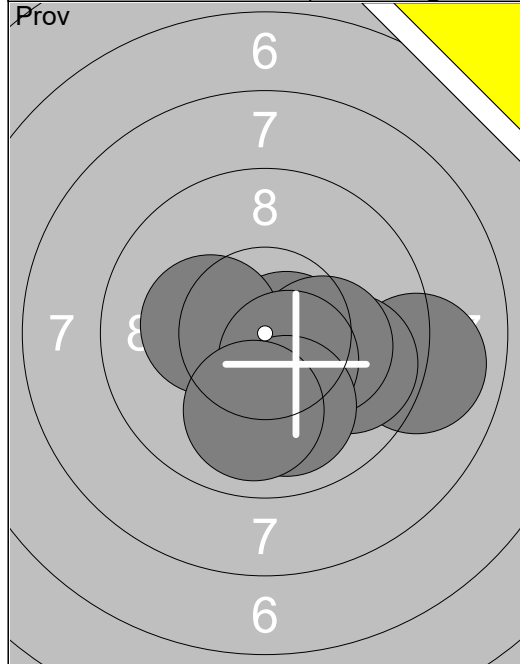
11:	10.7x ↘
12:	10.6x ↗
13:	10.7x ↖
14:	10.0 ↑
15:	9.5 ↖
16:	10.6x ↖
17:	10.1 ↙
18:	10.3x ↓
19:	10.2x ↘
20:	9.4 ↖
Serie 102.1	
Total 203.1	



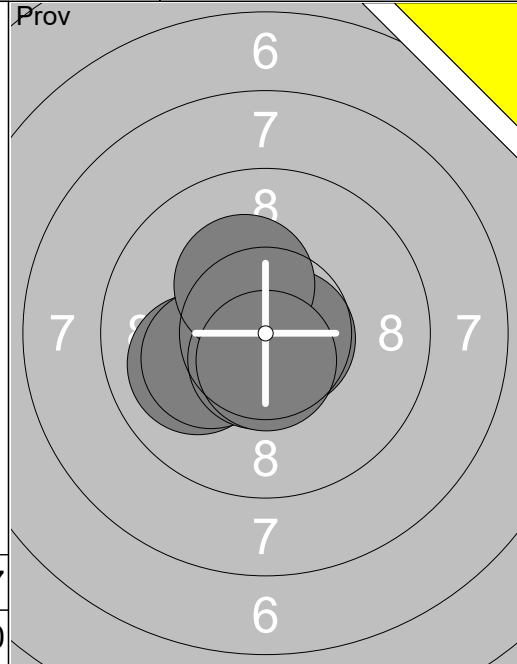
21:	10.4x ➤
22:	10.3x ↓
23:	10.6x ➤
24:	10.7x ➤
25:	10.4x ↖
26:	10.3x ↘
27:	10.3x ↗
28:	10.2x ↗
29:	10.7x ↖
30:	10.6x ↗
Serie 104.5	
Total 307.6	



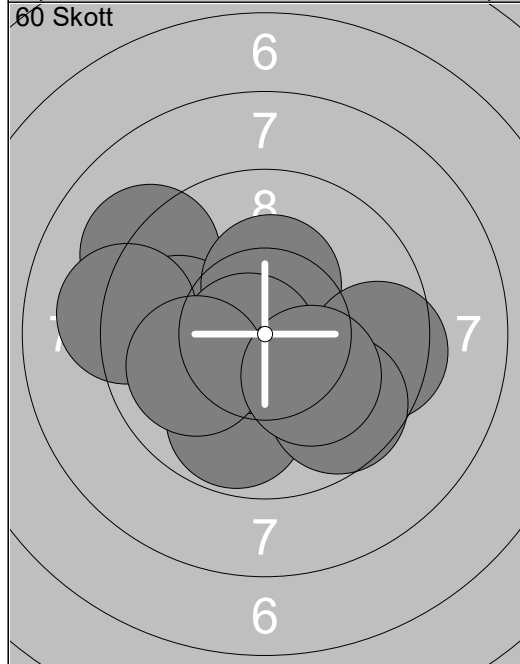
31:	10.7x ↖
32:	10.2x ↖
33:	10.2x ➤
34:	9.7 ↓
35:	9.3 ↗
36:	9.7 ↗
37:	10.0 ↑
38:	10.4x ↘
39:	10.5x ↗
40:	10.8x ➤
Serie 101.5	
Total 409.1	



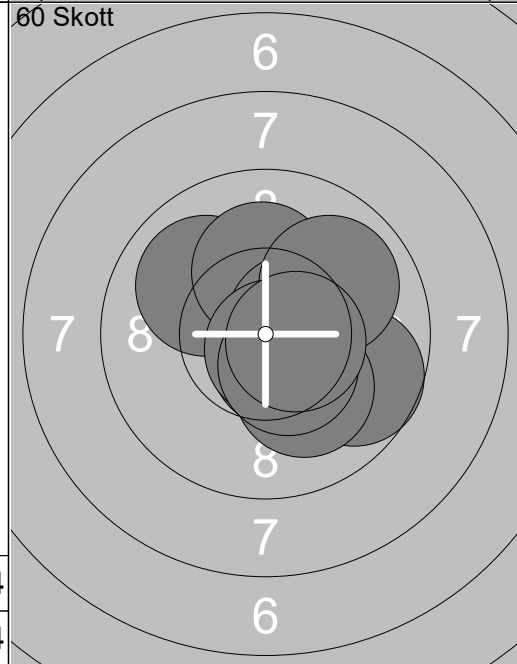
1:	10.1 ↓
2:	9.0 →
3:	10.2x ↘
4:	10.7x ➤
5:	9.8 →
6:	10.2x ←
7:	10.2x ➤
8:	10.5x ↘
9:	10.0 ↓
10:	10.0 ↓
Serie 100.7	
Total 0.0	



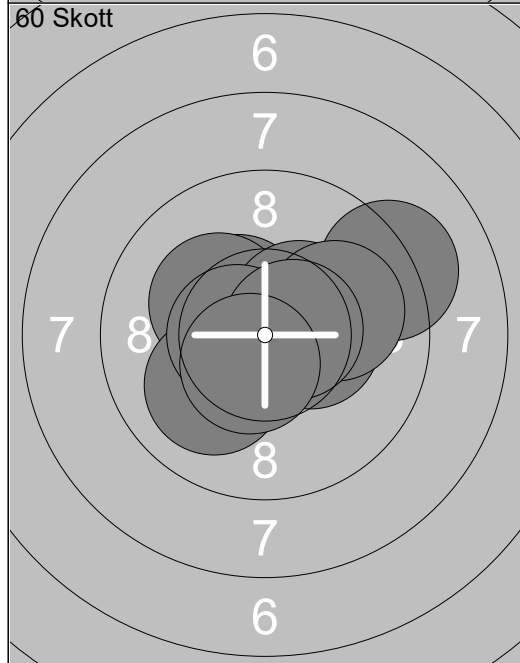
11:	10.7x ➤
12:	10.0 ↙
13:	10.2x ←
14:	10.6x ↘
15:	10.3x ↗
16:	10.6x ↘
Serie 62.4	
Total 0.0	



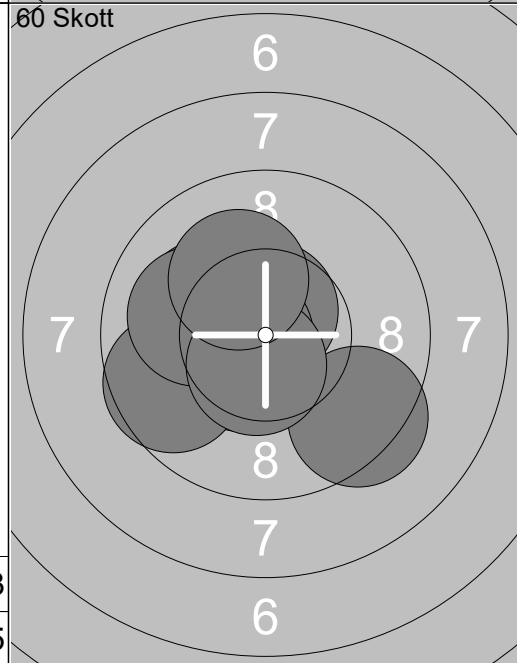
1:	9.2 ↖
2:	9.8 ←
3:	9.2 ←
4:	9.8 ↓
5:	10.3x ↗
6:	10.7x ←
7:	9.5 →
8:	9.7 ↘
9:	10.0 ↙
10:	10.2x ↘
Serie 98.4	
Total 98.4	



11:	9.7 →
12:	10.0 ↖
13:	10.2x ↗
14:	10.5x ➤
15:	10.1 ↓
16:	10.6x ↘
17:	10.7x ↘
18:	10.5x ↘
19:	9.9 ↗
20:	10.6x ➤
Serie 102.8	
Total 201.2	



21:	10.4x ↖
22:	9.2 →
23:	10.2x ↖
24:	10.0 ↙
25:	10.4x ➤
26:	10.4x ↗
27:	10.0 →
28:	10.6x ←
29:	10.6x ➤
30:	10.5x ↘
Serie 102.3	
Total 303.5	

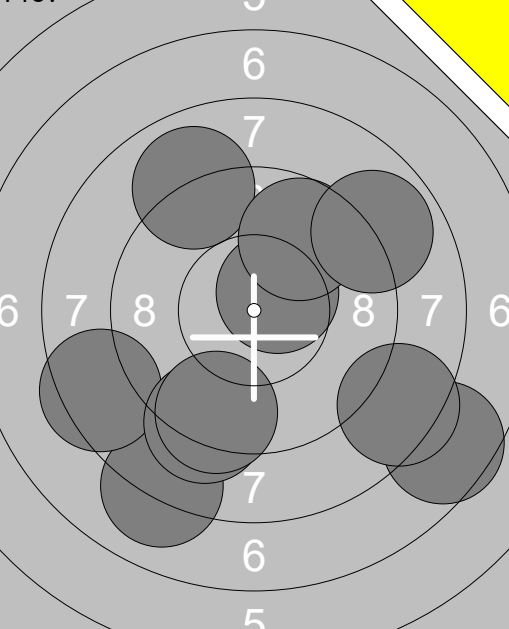
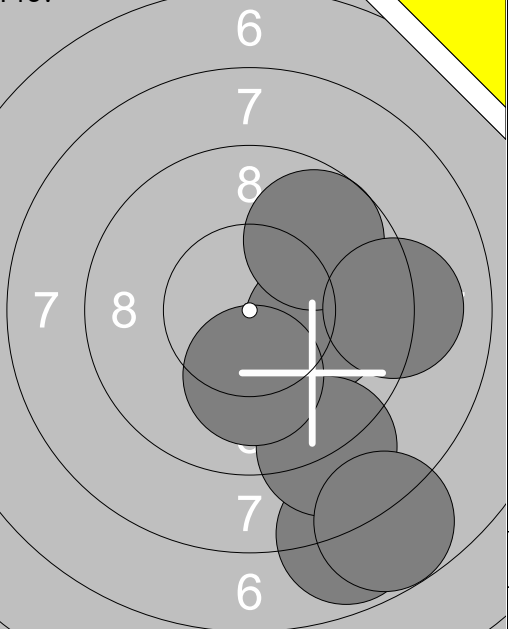


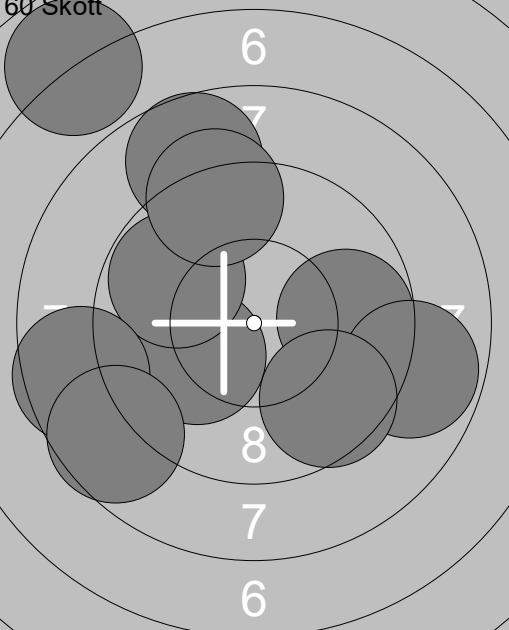
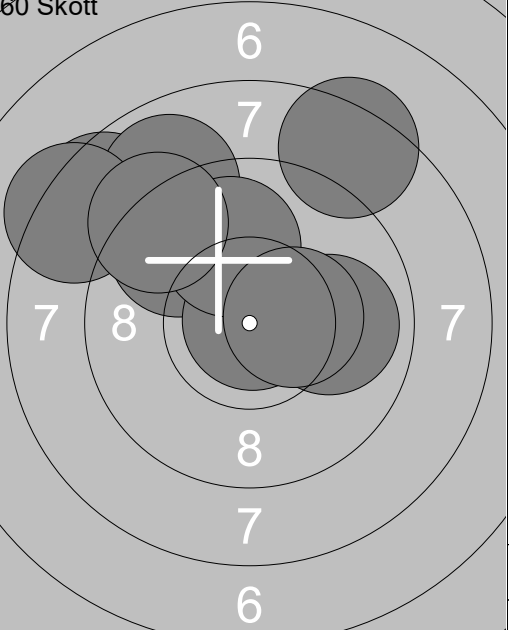
31:	10.5x ↘
32:	9.6 ↙
33:	10.4x ↖
34:	9.4 ↘
35:	10.6x ↗
36:	10.2x ↖
37:	10.7x ←
38:	10.1 ↙
39:	10.5x ↘
40:	10.2x ↗
Serie 102.2	
Total 405.7	

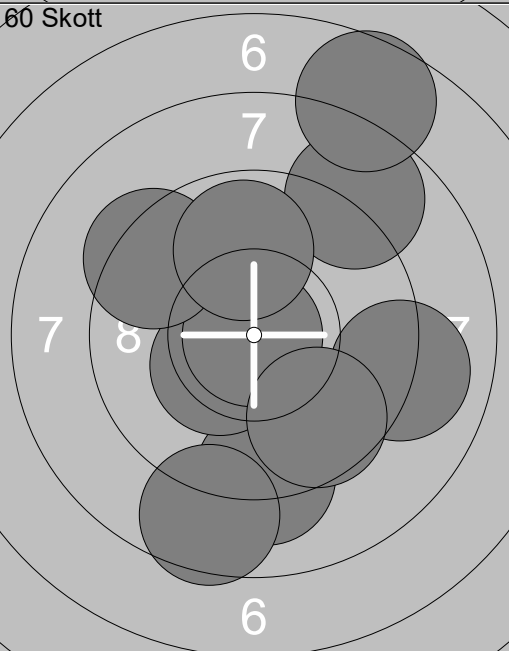
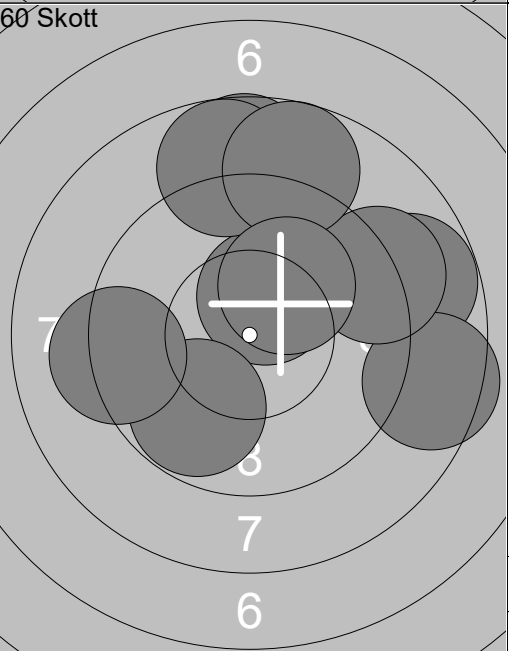
<p>Prov</p> <p>5 6 7 8 6 7 6 5 6</p>	<p>1: 9.1 ↗</p> <p>2: 8.0 ↖</p> <p>3: 9.7 ↗</p> <p>4: 10.4x ↗</p> <p>5: 8.9 →</p> <p>6: 9.8 ↓</p> <p>7: 9.7 ↓</p> <p>8: 9.2 ↓</p> <p>9: 9.4 ↓</p> <p>10: 9.3 ↖</p> <p>Serie 93.5</p> <p>Total 0.0</p>	<p>Prov</p> <p>6 7 8 7 6 7 6 5 6</p>	<p>11: 9.3 ↘</p> <p>12: 9.6 ↗</p> <p>13: 9.6 ↖</p> <p>14: 10.3x ↘</p> <p>15: 9.3 →</p> <p>Serie 48.1</p> <p>Total 0.0</p>
--	---	--	---

<p>60 Skott</p> <p>6 7 8 7 8 7 6 5 6</p>	<p>1: 10.1 ↖</p> <p>2: 10.1 →</p> <p>3: 10.2x ↖</p> <p>4: 9.7 ↗</p> <p>5: 8.7 →</p> <p>6: 10.6x ↗</p> <p>7: 9.3 →</p> <p>8: 10.2x ↗</p> <p>9: 9.8 →</p> <p>10: 9.4 →</p> <p>Serie 98.1</p> <p>Total 98.1</p>	<p>60 Skott</p> <p>6 7 8 7 8 7 6 5 6</p>	<p>11: 10.0 ↘</p> <p>12: 10.3x ↘</p> <p>13: 8.8 ↑</p> <p>14: 9.4 ↖</p> <p>15: 9.3 →</p> <p>16: 8.7 →</p> <p>17: 10.4x ↘</p> <p>18: 10.1 ↑</p> <p>19: 9.3 →</p> <p>20: 8.8 ↗</p> <p>Serie 95.1</p> <p>Total 193.2</p>
--	--	--	--

<p>60 Skott</p> <p>6 7 8 7 8 7 6 5 6</p>	<p>21: 9.6 ↖</p> <p>22: 9.9 ↑</p> <p>23: 9.4 ↖</p> <p>24: 10.3x ↘</p> <p>25: 8.5 ↗</p> <p>26: 10.1 ↗</p> <p>27: 10.0 ↗</p> <p>28: 10.3x ↘</p> <p>29: 10.2x ↗</p> <p>30: 8.9 ↗</p> <p>Serie 97.2</p> <p>Total 290.4</p>	<p>60 Skott</p> <p>5 6 7 8 7 6 5 4 5</p>	<p>31: 10.6x ↖</p> <p>32: 10.4x ↘</p> <p>33: 9.1 ↗</p> <p>34: 9.5 ↗</p> <p>35: 10.4x ↗</p> <p>36: 10.4x ↖</p> <p>37: 10.0 ↓</p> <p>38: 10.4x ↗</p> <p>39: 7.7 →</p> <p>40: 10.8x ↘</p> <p>Serie 99.3</p> <p>Total 389.7</p>
--	--	--	---

 <p>Provschytte</p>	<p>1: 10.5x ↗</p> <p>2: 8.1 ↓</p> <p>3: 8.4 ←</p> <p>4: 9.2 ↓</p> <p>5: 7.6 ↘</p> <p>6: 8.4 ↘</p> <p>7: 9.0 ↗</p> <p>8: 9.4 ↓</p> <p>9: 9.7 ↗</p> <p>10: 8.9 ↗</p>	 <p>Provschytte</p>	<p>11: 10.1 →</p> <p>12: 7.8 ↓</p> <p>13: 9.0 ↓</p> <p>14: 9.7 ↗</p> <p>15: 9.1 →</p> <p>16: 7.8 ↓</p> <p>17: 10.1 ↓</p>
Serie 89.2		Serie 63.6	
Total 0.0		Total 0.0	

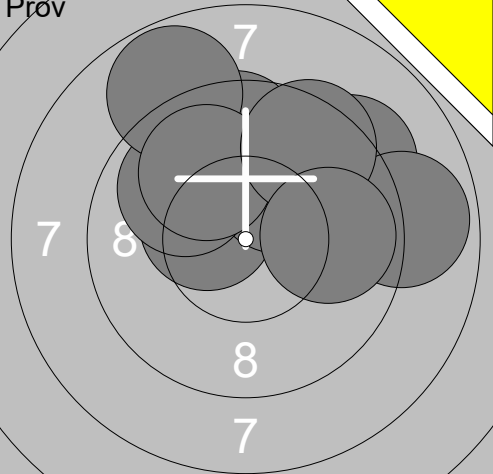
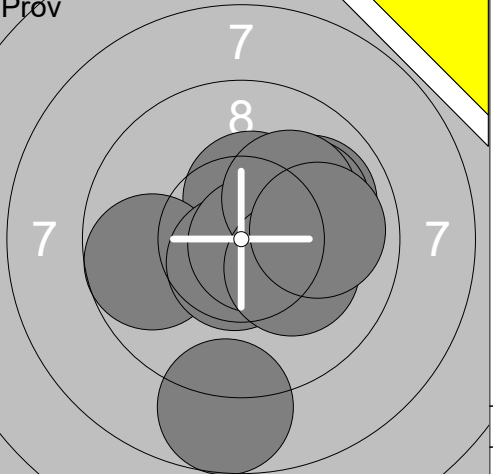
 <p>60 Skott</p>	<p>1: 8.7 ↗</p> <p>2: 10.1 ←</p> <p>3: 9.8 ↖</p> <p>4: 8.6 ←</p> <p>5: 8.6 ↖</p> <p>6: 6.9 ↗</p> <p>7: 9.7 →</p> <p>8: 8.8 →</p> <p>9: 9.2 ↗</p> <p>10: 9.6 ↘</p>	 <p>60 Skott</p>	<p>11: 9.6 ↖</p> <p>12: 8.5 ↖</p> <p>13: 8.4 ↗</p> <p>14: 8.9 ↖</p> <p>15: 10.9x ↗</p> <p>16: 9.9 ↗</p> <p>17: 9.9 →</p> <p>18: 8.3 ↖</p> <p>19: 10.4x →</p> <p>20: 9.2 ↖</p>
Serie 90.0		Serie 94.0	
Total 90.0		Total 184.0	

 <p>60 Skott</p>	<p>21: 9.2 ↓</p> <p>22: 10.4x ↘</p> <p>23: 8.8 ↗</p> <p>24: 10.9x ↘</p> <p>25: 9.3 ↖</p> <p>26: 9.9 ↗</p> <p>27: 7.6 ↗</p> <p>28: 9.0 →</p> <p>29: 8.6 ↓</p> <p>30: 9.6 ↘</p>	 <p>60 Skott</p>	<p>31: 10.4x ↗</p> <p>32: 8.7 ↗</p> <p>33: 8.8 →</p> <p>34: 8.5 →</p> <p>35: 8.7 ↗</p> <p>36: 9.1 →</p> <p>37: 8.7 ↗</p> <p>38: 10.1 ↗</p> <p>39: 9.8 ↓</p> <p>40: 9.2 ←</p>
Serie 93.3		Serie 92.0	
Total 277.3		Total 369.3	

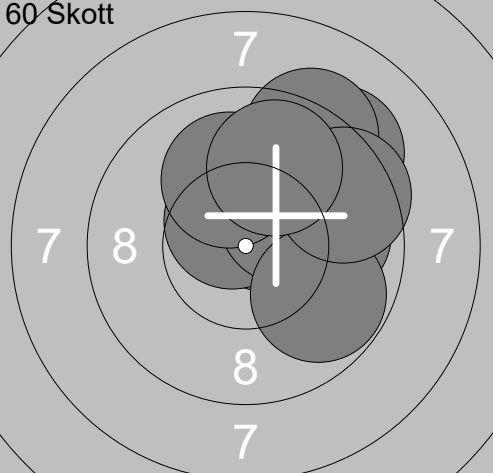
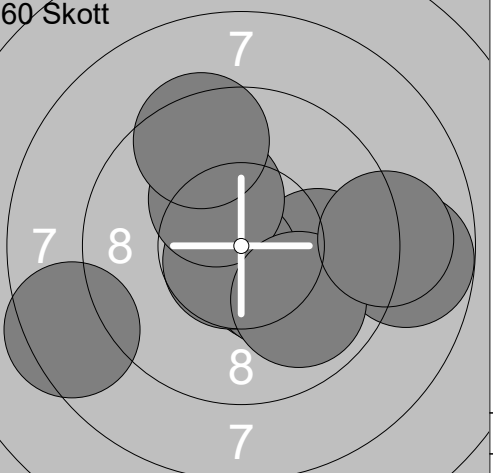
Prov 	1: 9.8 → 2: 9.8 → 3: 10.6✕ 4: 10.2✕→ 5: 10.6✕↓ 6: 10.1→ 7: 10.3✕↓ 8: 9.9 ↑ 9: 9.1 → 10: 10.0 ↑	Prov 	11: 9.9 → 12: 9.5 ↘ 13: 9.0 → 14: 10.3✕↓ 15: 9.5 ← 16: 10.4✕ 17: 10.7✕↗ 18: 10.3✕↘
	Serie 100.4		Serie 79.6
	Total 0.0		Total 0.0

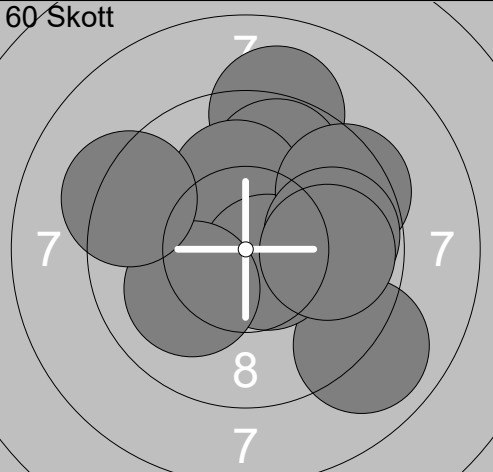
60 Skott 	1: 10.6✕↓ 2: 10.5✕ 3: 10.8✕ 4: 10.4✕↓ 5: 9.8 ↙ 6: 9.9 ↓ 7: 9.6 ↙ 8: 10.5✕↘ 9: 10.3✕↘ 10: 10.7✕↘	60 Skott 	11: 10.4✕↗ 12: 10.3✕ 13: 10.7✕↘ 14: 10.0 ↖ 15: 10.7✕↗ 16: 10.4✕ 17: 9.6 ↖ 18: 10.1 ↑ 19: 10.8✕ 20: 10.2✕↗
	Serie 103.1		Serie 103.2
	Total 103.1		Total 206.3

60 Skott 	21: 9.5 ↑ 22: 9.8 ↓ 23: 10.3✕↗ 24: 10.0 ↗ 25: 10.3✕↗ 26: 10.3✕↘ 27: 9.7 ↗ 28: 10.4✕→ 29: 10.5✕↓ 30: 10.6✕	60 Skott 	31: 10.6✕↘ 32: 9.9 → 33: 9.4 ↘ 34: 9.9 → 35: 10.4✕ 36: 10.3✕↗ 37: 10.3✕ 38: 10.3✕↘ 39: 9.6 ↙ 40: 9.7 ←
	Serie 101.4		Serie 100.4
	Total 307.7		Total 408.1

<p>Pröv</p> 	<table border="1" style="width:100%; border-collapse: collapse;"> <tr><td>1:</td><td>10.4x</td><td>↖</td></tr> <tr><td>2:</td><td>10.1</td><td>↗</td></tr> <tr><td>3:</td><td>9.9</td><td>↖</td></tr> <tr><td>4:</td><td>9.6</td><td>↑</td></tr> <tr><td>5:</td><td>8.8</td><td>↗</td></tr> <tr><td>6:</td><td>9.9</td><td>↗</td></tr> <tr><td>7:</td><td>9.2</td><td>↗</td></tr> <tr><td>8:</td><td>8.9</td><td>→</td></tr> <tr><td>9:</td><td>9.5</td><td>↗</td></tr> <tr><td>10:</td><td>9.9</td><td>→</td></tr> <tr><td colspan="2">Serie</td><td style="text-align: right;">96.2</td></tr> <tr><td colspan="2">Total</td><td style="text-align: right;">0.0</td></tr> </table>	1:	10.4x	↖	2:	10.1	↗	3:	9.9	↖	4:	9.6	↑	5:	8.8	↗	6:	9.9	↗	7:	9.2	↗	8:	8.9	→	9:	9.5	↗	10:	9.9	→	Serie		96.2	Total		0.0	<p>Pröv</p> 	<table border="1" style="width:100%; border-collapse: collapse;"> <tr><td>11:</td><td>10.4x</td><td>↑</td></tr> <tr><td>12:</td><td>9.9</td><td>↗</td></tr> <tr><td>13:</td><td>8.7</td><td>↓</td></tr> <tr><td>14:</td><td>9.7</td><td>↖</td></tr> <tr><td>15:</td><td>10.0</td><td>↗</td></tr> <tr><td>16:</td><td>10.6x</td><td>↓</td></tr> <tr><td>17:</td><td>10.7x</td><td>→</td></tr> <tr><td>18:</td><td>10.1</td><td>↗</td></tr> <tr><td>19:</td><td>10.2x</td><td>→</td></tr> <tr><td>20:</td><td>9.9</td><td>→</td></tr> <tr><td colspan="2">Serie</td><td style="text-align: right;">100.2</td></tr> <tr><td colspan="2">Total</td><td style="text-align: right;">0.0</td></tr> </table>	11:	10.4x	↑	12:	9.9	↗	13:	8.7	↓	14:	9.7	↖	15:	10.0	↗	16:	10.6x	↓	17:	10.7x	→	18:	10.1	↗	19:	10.2x	→	20:	9.9	→	Serie		100.2	Total		0.0
1:	10.4x	↖																																																																									
2:	10.1	↗																																																																									
3:	9.9	↖																																																																									
4:	9.6	↑																																																																									
5:	8.8	↗																																																																									
6:	9.9	↗																																																																									
7:	9.2	↗																																																																									
8:	8.9	→																																																																									
9:	9.5	↗																																																																									
10:	9.9	→																																																																									
Serie		96.2																																																																									
Total		0.0																																																																									
11:	10.4x	↑																																																																									
12:	9.9	↗																																																																									
13:	8.7	↓																																																																									
14:	9.7	↖																																																																									
15:	10.0	↗																																																																									
16:	10.6x	↓																																																																									
17:	10.7x	→																																																																									
18:	10.1	↗																																																																									
19:	10.2x	→																																																																									
20:	9.9	→																																																																									
Serie		100.2																																																																									
Total		0.0																																																																									

<p>Pröv</p> 	<table border="1" style="width:100%; border-collapse: collapse;"> <tr><td>21:</td><td>9.2</td><td>↓</td></tr> <tr><td>22:</td><td>9.9</td><td>↖</td></tr> <tr><td colspan="2">Serie</td><td style="text-align: right;">19.1</td></tr> <tr><td colspan="2">Total</td><td style="text-align: right;">0.0</td></tr> </table>	21:	9.2	↓	22:	9.9	↖	Serie		19.1	Total		0.0	<p>60 Skott</p> 	<table border="1" style="width:100%; border-collapse: collapse;"> <tr><td>1:</td><td>10.4x</td><td>↓</td></tr> <tr><td>2:</td><td>9.7</td><td>→</td></tr> <tr><td>3:</td><td>9.4</td><td>↑</td></tr> <tr><td>4:</td><td>9.5</td><td>↑</td></tr> <tr><td>5:</td><td>10.5x</td><td>↗</td></tr> <tr><td>6:</td><td>9.2</td><td>↗</td></tr> <tr><td>7:</td><td>10.7x</td><td>↗</td></tr> <tr><td>8:</td><td>10.3x</td><td>↖</td></tr> <tr><td>9:</td><td>9.9</td><td>↗</td></tr> <tr><td>10:</td><td>9.5</td><td>↑</td></tr> <tr><td colspan="2">Serie</td><td style="text-align: right;">99.1</td></tr> <tr><td colspan="2">Total</td><td style="text-align: right;">99.1</td></tr> </table>	1:	10.4x	↓	2:	9.7	→	3:	9.4	↑	4:	9.5	↑	5:	10.5x	↗	6:	9.2	↗	7:	10.7x	↗	8:	10.3x	↖	9:	9.9	↗	10:	9.5	↑	Serie		99.1	Total		99.1
21:	9.2	↓																																																	
22:	9.9	↖																																																	
Serie		19.1																																																	
Total		0.0																																																	
1:	10.4x	↓																																																	
2:	9.7	→																																																	
3:	9.4	↑																																																	
4:	9.5	↑																																																	
5:	10.5x	↗																																																	
6:	9.2	↗																																																	
7:	10.7x	↗																																																	
8:	10.3x	↖																																																	
9:	9.9	↗																																																	
10:	9.5	↑																																																	
Serie		99.1																																																	
Total		99.1																																																	

<p>60 Skott</p> 	<table border="1" style="width:100%; border-collapse: collapse;"> <tr><td>11:</td><td>9.9</td><td>→</td></tr> <tr><td>12:</td><td>9.2</td><td>↗</td></tr> <tr><td>13:</td><td>10.5x</td><td>↗</td></tr> <tr><td>14:</td><td>9.3</td><td>↗</td></tr> <tr><td>15:</td><td>10.6x</td><td>↗</td></tr> <tr><td>16:</td><td>10.3x</td><td>↗</td></tr> <tr><td>17:</td><td>9.8</td><td>↘</td></tr> <tr><td>18:</td><td>9.5</td><td>↗</td></tr> <tr><td>19:</td><td>10.1</td><td>↑</td></tr> <tr><td>20:</td><td>9.9</td><td>↑</td></tr> <tr><td colspan="2">Serie</td><td style="text-align: right;">99.1</td></tr> <tr><td colspan="2">Total</td><td style="text-align: right;">198.2</td></tr> </table>	11:	9.9	→	12:	9.2	↗	13:	10.5x	↗	14:	9.3	↗	15:	10.6x	↗	16:	10.3x	↗	17:	9.8	↘	18:	9.5	↗	19:	10.1	↑	20:	9.9	↑	Serie		99.1	Total		198.2	<p>60 Skott</p> 	<table border="1" style="width:100%; border-collapse: collapse;"> <tr><td>21:</td><td>10.4x</td><td>↘</td></tr> <tr><td>22:</td><td>10.3x</td><td>↘</td></tr> <tr><td>23:</td><td>9.9</td><td>→</td></tr> <tr><td>24:</td><td>10.7x</td><td>↘</td></tr> <tr><td>25:</td><td>10.2x</td><td>↗</td></tr> <tr><td>26:</td><td>9.5</td><td>↑</td></tr> <tr><td>27:</td><td>8.8</td><td>→</td></tr> <tr><td>28:</td><td>9.9</td><td>↘</td></tr> <tr><td>29:</td><td>8.5</td><td>↖</td></tr> <tr><td>30:</td><td>9.0</td><td>→</td></tr> <tr><td colspan="2">Serie</td><td style="text-align: right;">97.2</td></tr> <tr><td colspan="2">Total</td><td style="text-align: right;">295.4</td></tr> </table>	21:	10.4x	↘	22:	10.3x	↘	23:	9.9	→	24:	10.7x	↘	25:	10.2x	↗	26:	9.5	↑	27:	8.8	→	28:	9.9	↘	29:	8.5	↖	30:	9.0	→	Serie		97.2	Total		295.4
11:	9.9	→																																																																									
12:	9.2	↗																																																																									
13:	10.5x	↗																																																																									
14:	9.3	↗																																																																									
15:	10.6x	↗																																																																									
16:	10.3x	↗																																																																									
17:	9.8	↘																																																																									
18:	9.5	↗																																																																									
19:	10.1	↑																																																																									
20:	9.9	↑																																																																									
Serie		99.1																																																																									
Total		198.2																																																																									
21:	10.4x	↘																																																																									
22:	10.3x	↘																																																																									
23:	9.9	→																																																																									
24:	10.7x	↘																																																																									
25:	10.2x	↗																																																																									
26:	9.5	↑																																																																									
27:	8.8	→																																																																									
28:	9.9	↘																																																																									
29:	8.5	↖																																																																									
30:	9.0	→																																																																									
Serie		97.2																																																																									
Total		295.4																																																																									

<p>60 Skott</p> 	<table border="1" style="width:100%; border-collapse: collapse;"> <tr><td>31:</td><td>9.1</td><td>↑</td></tr> <tr><td>32:</td><td>9.8</td><td>↑</td></tr> <tr><td>33:</td><td>9.0</td><td>↘</td></tr> <tr><td>34:</td><td>10.1</td><td>↑</td></tr> <tr><td>35:</td><td>10.6x</td><td>↘</td></tr> <tr><td>36:</td><td>10.1</td><td>↖</td></tr> <tr><td>37:</td><td>9.5</td><td>↗</td></tr> <tr><td>38:</td><td>9.8</td><td>→</td></tr> <tr><td>39:</td><td>9.9</td><td>→</td></tr> <tr><td>40:</td><td>9.3</td><td>↖</td></tr> <tr><td colspan="2">Serie</td><td style="text-align: right;">97.2</td></tr> <tr><td colspan="2">Total</td><td style="text-align: right;">392.6</td></tr> </table>	31:	9.1	↑	32:	9.8	↑	33:	9.0	↘	34:	10.1	↑	35:	10.6x	↘	36:	10.1	↖	37:	9.5	↗	38:	9.8	→	39:	9.9	→	40:	9.3	↖	Serie		97.2	Total		392.6		
31:	9.1	↑																																					
32:	9.8	↑																																					
33:	9.0	↘																																					
34:	10.1	↑																																					
35:	10.6x	↘																																					
36:	10.1	↖																																					
37:	9.5	↗																																					
38:	9.8	→																																					
39:	9.9	→																																					
40:	9.3	↖																																					
Serie		97.2																																					
Total		392.6																																					

Prov 	1: 9.9 ↓ 2: 10.3x↓ 3: 10.3x➤ 4: 10.3x➤ 5: 9.9 ➤ 6: 10.4x↖ 7: 9.5 ↗ 8: 10.3x➤ 9: 9.7 ↑ 10: 10.6x↓	Prov 		11: 9.8 ↓ 12: 10.4x➤ 13: 9.0 ↓ 14: 9.9 ↑ 15: 10.4x↖ 16: 9.6 ➤ 17: 10.6x↓ 18: 10.0 ↗ 19: 10.0 ↙
Serie 101.2				Serie 89.7
Total 0.0				Total 0.0

60 Skott 	1: 10.3x↗ 2: 10.3x↑ 3: 7.3 ➤ 4: 10.8x↗ 5: 10.2x↓ 6: 9.7 ← 7: 10.3x↖ 8: 8.9 ↑ 9: 9.5 ➤ 10: 9.7 ↑	60 Skott 		11: 9.9 ↑ 12: 10.1 ➤ 13: 10.5x➤ 14: 10.0 ↓ 15: 10.4x↑ 16: 10.8x↓ 17: 9.8 ➤ 18: 9.7 ↙ 19: 9.8 ➤ 20: 10.1 ➤
Serie 97.0				Serie 101.1
Total 97.0				Total 198.1

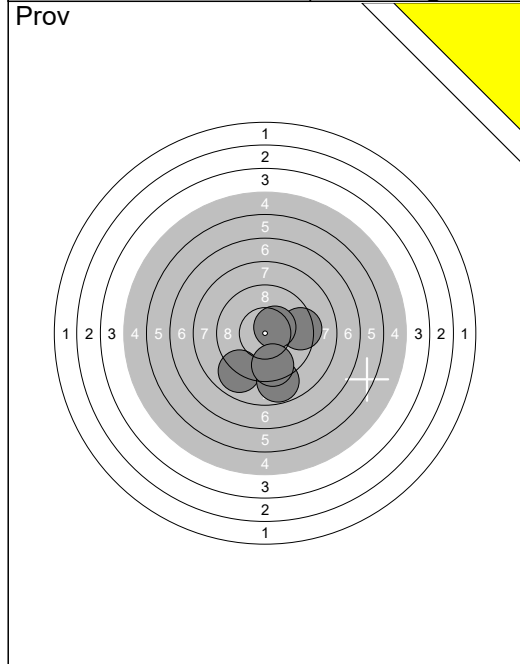
60 Skott 	21: 10.2x↓ 22: 9.5 ↓ 23: 10.5x↗ 24: 10.5x➤ 25: 10.3x↗ 26: 9.7 ↑ 27: 10.2x➤ 28: 10.7x↑ 29: 9.4 ↓ 30: 9.2 ↑	60 Skott 		31: 9.6 ➤ 32: 10.9x↓ 33: 9.4 ↗ 34: 10.5x➤ 35: 10.1 ➤ 36: 9.9 ➤ 37: 9.1 ↑ 38: 10.0 ➤ 39: 10.8x↖ 40: 9.8 ➤
Serie 100.2				Serie 100.1
Total 298.3				Total 398.4

<p>Pröv</p>	<p>1: 9.8 →</p> <p>2: 9.0 →</p> <p>3: 10.7x ↓</p> <p>4: 9.8 ↓</p> <p>5: 10.2x ↓</p> <p>6: 9.7 ↗</p> <p>7: 10.7x ↗</p> <p>8: 10.5x ↑</p> <p>9: 10.7x ↙</p> <p>10: 10.5x ←</p> <hr/> <p>Serie 101.6</p> <hr/> <p>Total 0.0</p>	<p>Pröv</p>	<p>11: 10.6x ←</p> <p>12: 10.5x ↗</p> <p>13: 10.2x ↗</p> <p>14: 10.3x ←</p> <p>15: 9.7 ↓</p> <p>16: 10.1 →</p> <p>17: 10.3x ↓</p> <p>18: 10.6x ↓</p> <p>19: 10.8x ↙</p> <p>20: 10.6x ↓</p> <hr/> <p>Serie 103.7</p> <hr/> <p>Total 0.0</p>
--------------------	--	--------------------	--

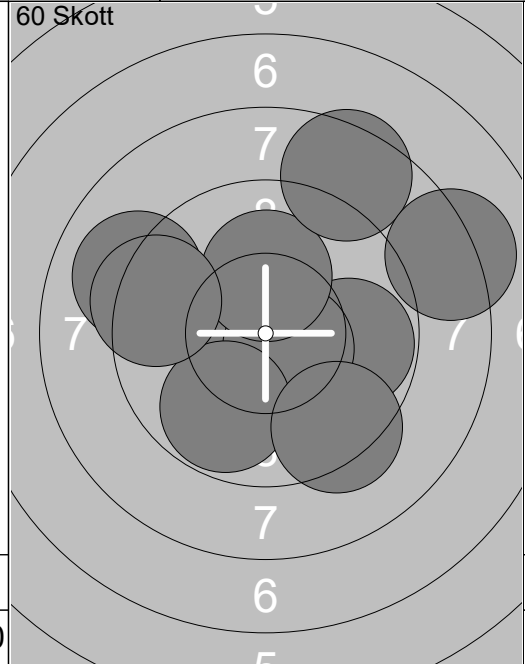
<p>Pröv</p>	<p>21: 9.8 →</p> <p>22: 10.4x ↗</p> <p>23: 9.9 ↗</p> <p>24: 9.1 ←</p> <p>25: 10.7x ↓</p> <p>26: 10.3x ↓</p> <p>27: 9.3 →</p> <hr/> <p>Serie 69.5</p> <hr/> <p>Total 0.0</p>	<p>60 Skott</p>	<p>1: 10.4x ↓</p> <p>2: 10.6x ↗</p> <p>3: 9.9 ↓</p> <p>4: 10.7x ↑</p> <p>5: 10.3x ↓</p> <p>6: 10.4x ←</p> <p>7: 9.1 ←</p> <p>8: 10.0 ←</p> <p>9: 10.3x ↗</p> <p>10: 10.7x →</p> <hr/> <p>Serie 102.4</p> <hr/> <p>Total 102.4</p>
--------------------	---	------------------------	---

<p>60 Skott</p>	<p>11: 10.3x ←</p> <p>12: 10.2x →</p> <p>13: 9.2 →</p> <p>14: 10.1 ↓</p> <p>15: 10.7x ←</p> <p>16: 10.6x ←</p> <p>17: 9.2 ↗</p> <p>18: 10.8x →</p> <p>19: 10.4x ↑</p> <p>20: 9.9 →</p> <hr/> <p>Serie 101.4</p> <hr/> <p>Total 203.8</p>	<p>60 Skott</p>	<p>21: 10.6x ↓</p> <p>22: 9.7 ↓</p> <p>23: 9.5 ←</p> <p>24: 9.2 ↓</p> <p>25: 10.0 ↓</p> <p>26: 10.4x ↑</p> <p>27: 10.1 ↑</p> <p>28: 9.8 ↑</p> <p>29: 9.9 →</p> <p>30: 10.0 ↗</p> <hr/> <p>Serie 99.2</p> <hr/> <p>Total 303.0</p>
------------------------	--	------------------------	---

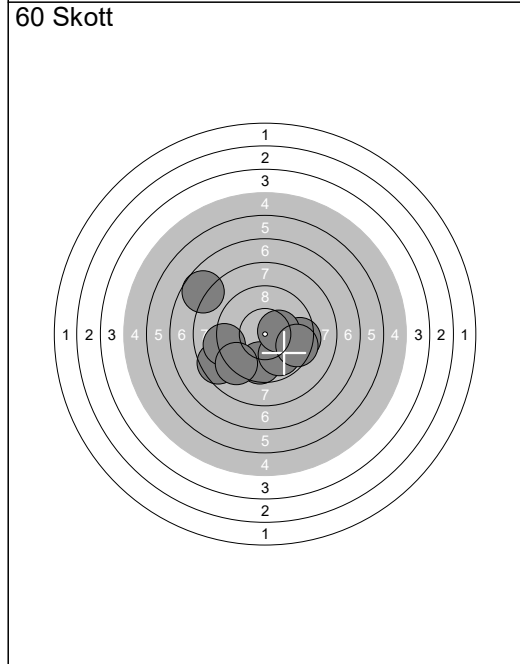
<p>60 Skott</p>	<p>31: 9.9 ↗</p> <p>32: 9.5 ↗</p> <p>33: 10.7x ↓</p> <p>34: 9.9 →</p> <p>35: 10.6x →</p> <p>36: 10.4x ↙</p> <p>37: 10.4x ↗</p> <p>38: 9.8 ↑</p> <p>39: 9.6 →</p> <p>40: 10.4x ↑</p> <hr/> <p>Serie 101.2</p> <hr/> <p>Total 404.2</p>		
------------------------	---	--	--



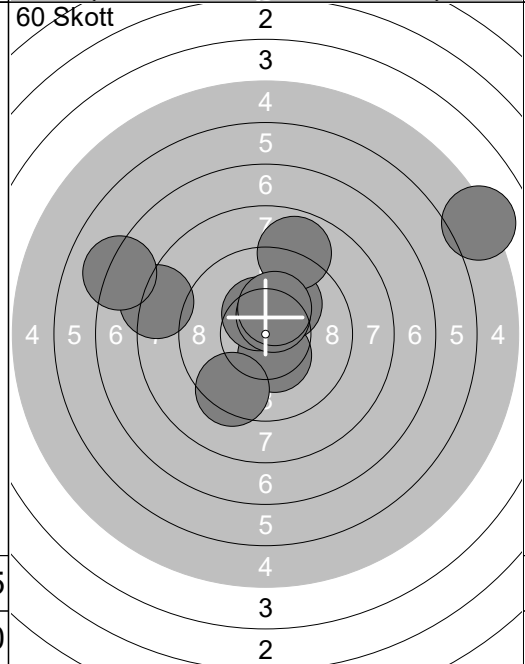
1:	9.0	↘
2:	0.0	→
3:	8.8	↓
4:	9.4	→
5:	10.4x	↗
6:	9.5	↓
Serie		47.1
Total		0.0



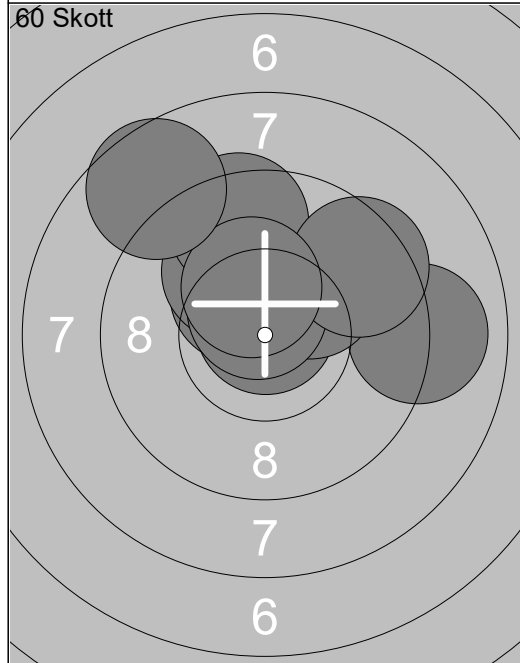
1:	9.8	→
2:	10.7x	↖
3:	9.0	↖
4:	10.6x	↗
5:	10.2x	↗
6:	9.8	↓
7:	9.4	↖
8:	9.3	↓
9:	8.5	↗
10:	8.2	→
Serie		95.5
Total		95.5



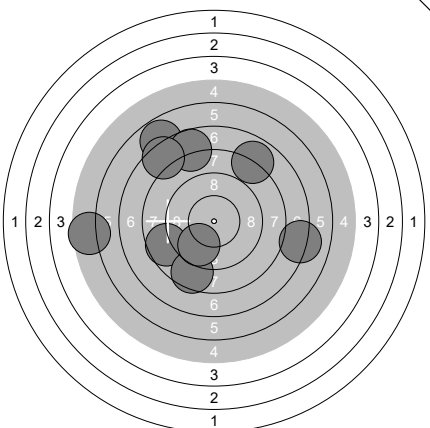
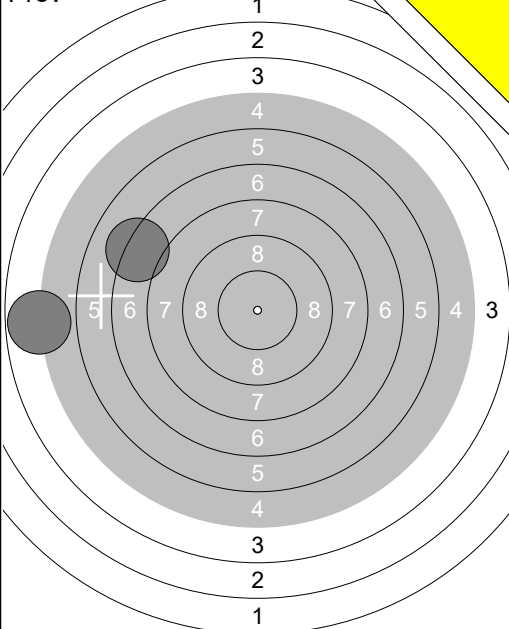
11:	8.6	↖
12:	9.1	↖
13:	0.0	→
14:	7.7	↖
15:	9.7	↓
16:	9.9	↓
17:	9.5	→
18:	10.3x	↗
19:	9.2	↖
20:	9.5	→
Serie		83.5
Total		179.0

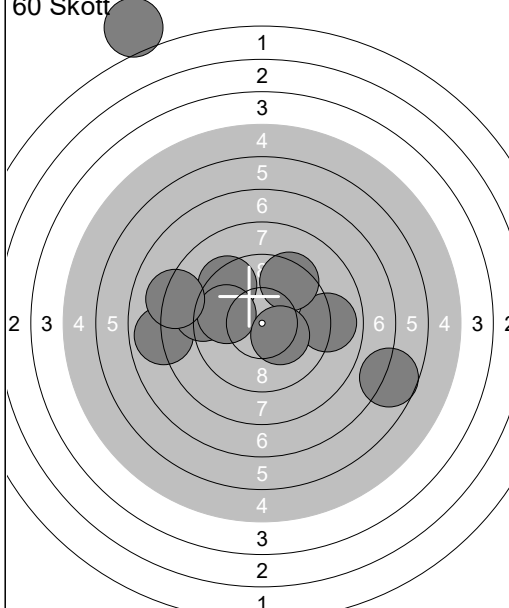
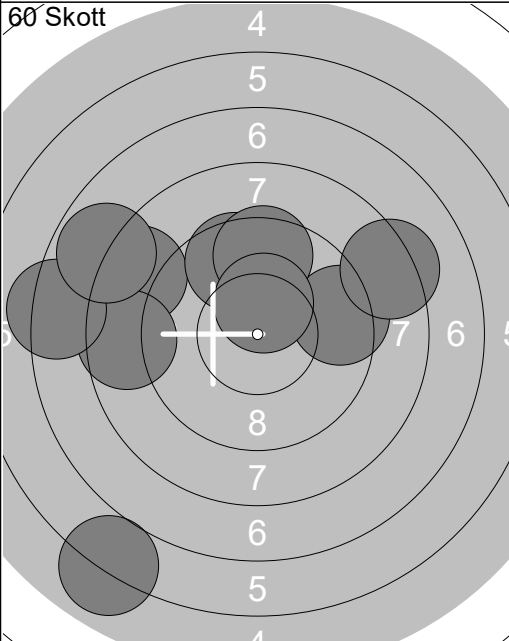


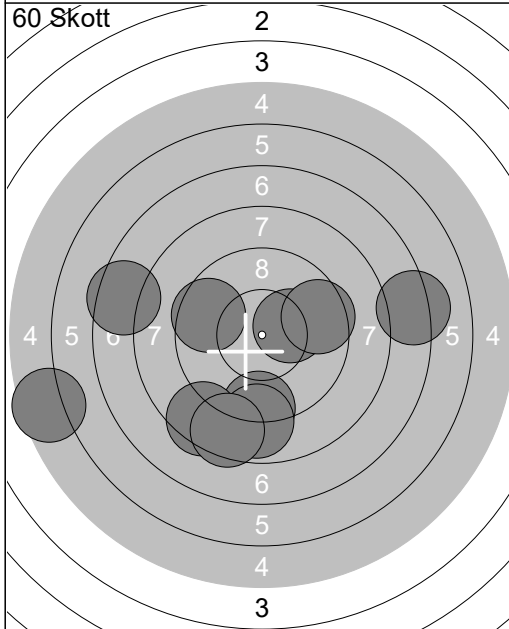
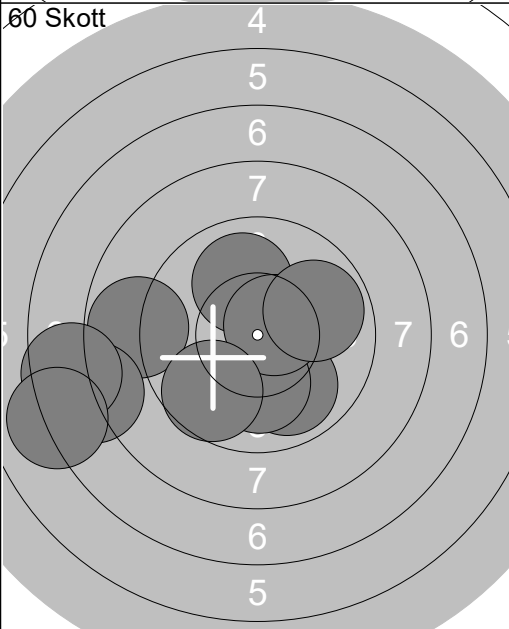
21:	10.4x	↘
22:	8.2	↖
23:	10.1	↗
24:	10.4x	↖
25:	5.2	→
26:	7.1	↖
27:	10.4x	↗
28:	9.4	↖
29:	8.9	↗
30:	10.3x	↗
Serie		90.4
Total		269.4

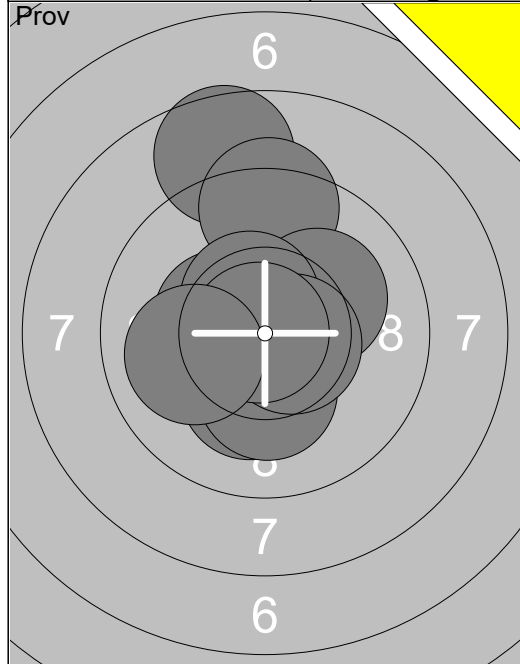


31:	9.0	→
32:	10.8x	↗
33:	10.3x	↖
34:	10.0	↖
35:	10.1	↗
36:	9.5	↗
37:	10.6x	↖
38:	9.5	↗
39:	10.3x	↖
40:	8.6	↖
Serie		98.7
Total		368.1

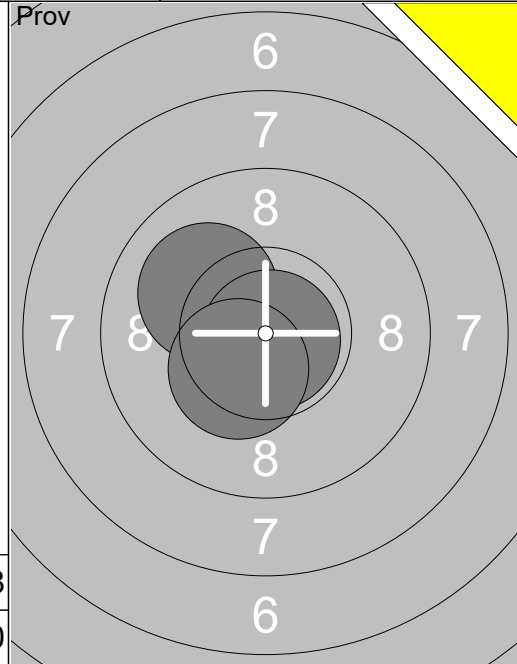
<p>Prov</p> 	<p>1: 5.6 ←</p> <p>2: 8.7 ↙</p> <p>3: 7.9 ↗</p> <p>4: 8.6 ↓</p> <p>5: 7.1 →</p> <p>6: 6.8 ↗</p> <p>7: 7.7 ↗</p> <p>8: 7.5 ↗</p> <p>9: 9.7 ↓</p> <p>10: 0.0 ←</p>	<p>Prov</p> 	<p>11: 4.8 ←</p> <p>12: 7.2 ↙</p>
Serie	69.6	Serie	12.0
Total	0.0	Total	0.0

<p>60 Skott</p> 	<p>1: 1.1 ↗</p> <p>2: 7.9 ←</p> <p>3: 9.1 ←</p> <p>4: 9.4 ↗</p> <p>5: 9.0 →</p> <p>6: 6.7 →</p> <p>7: 9.8 ←</p> <p>8: 9.4 ↗</p> <p>9: 10.3x↘</p> <p>10: 8.2 ←</p>	<p>60 Skott</p> 	<p>11: 9.4 →</p> <p>12: 8.5 ↙</p> <p>13: 9.6 ↗</p> <p>14: 8.3 ↗</p> <p>15: 8.6 ←</p> <p>16: 6.0 ↓</p> <p>17: 9.5 ↗</p> <p>18: 7.3 ←</p> <p>19: 7.8 ↙</p> <p>20: 10.4x↗</p>
Serie	80.9	Serie	85.4
Total	80.9	Total	166.3

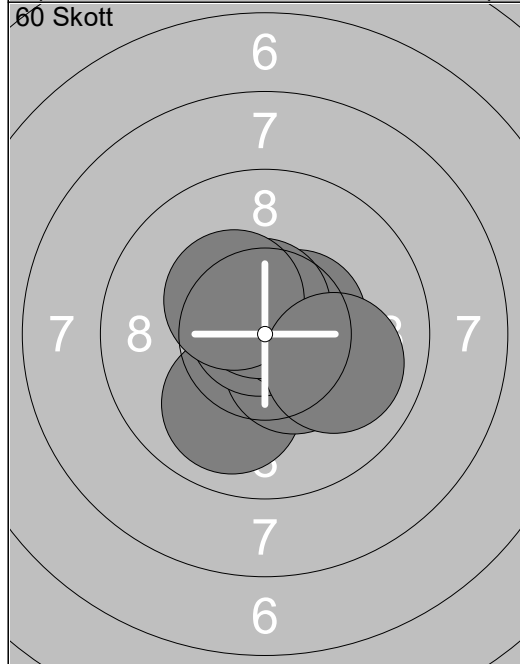
<p>60 Skott</p> 	<p>21: 9.2 ↓</p> <p>22: 8.9 ↓</p> <p>23: 10.2x→</p> <p>24: 9.6 ←</p> <p>25: 5.5 ←</p> <p>26: 8.5 ↓</p> <p>27: 9.5 →</p> <p>28: 7.2 →</p> <p>29: 7.5 ←</p> <p>30: 8.5 ↓</p>	<p>60 Skott</p> 	<p>31: 8.8 ←</p> <p>32: 9.9 ↓</p> <p>33: 10.0 ↗</p> <p>34: 7.9 ←</p> <p>35: 10.1 ↓</p> <p>36: 10.6x↗</p> <p>37: 9.7 ↓</p> <p>38: 7.6 ←</p> <p>39: 9.9 →</p> <p>40: 7.1 ←</p>
Serie	84.6	Serie	91.6
Total	250.9	Total	342.5



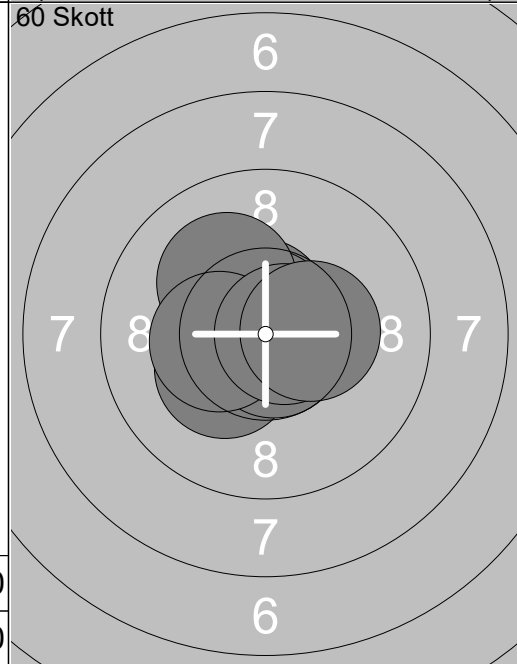
1:	8.6	↑
2:	9.3	↑
3:	10.1	↗
4:	10.4	↘
5:	10.2	↘
6:	10.2	↓
7:	10.5	↘
8:	10.6	→
9:	10.9	↖
10:	10.0	←
Serie		100.8
Total		0.0



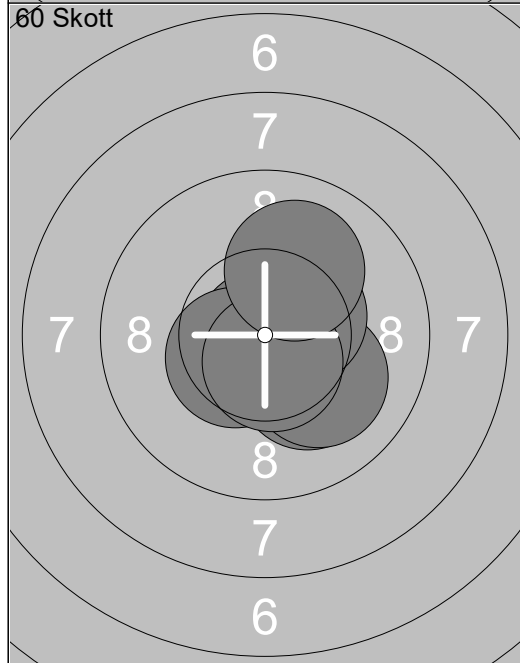
11:	10.1	↖
12:	10.8	↘
13:	10.4	↘
Serie		31.3
Total		0.0



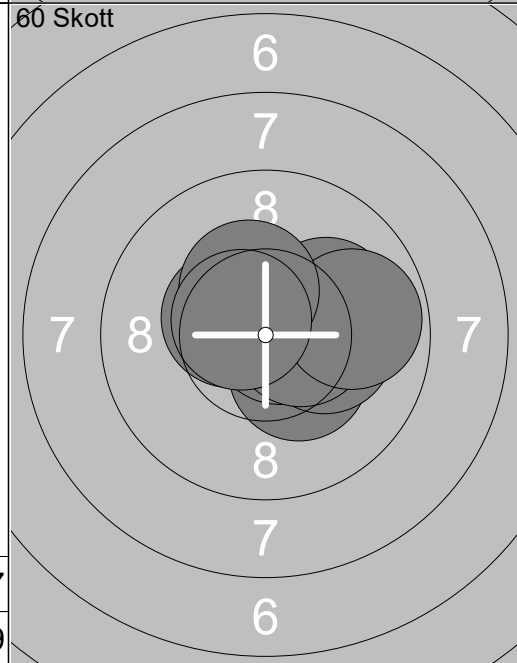
1:	10.6	→
2:	10.6	↘
3:	10.1	→
4:	10.0	↓
5:	10.4	↘
6:	10.8	↘
7:	10.5	↗
8:	10.6	↑
9:	10.4	↘
10:	10.0	→
Serie		104.0
Total		104.0



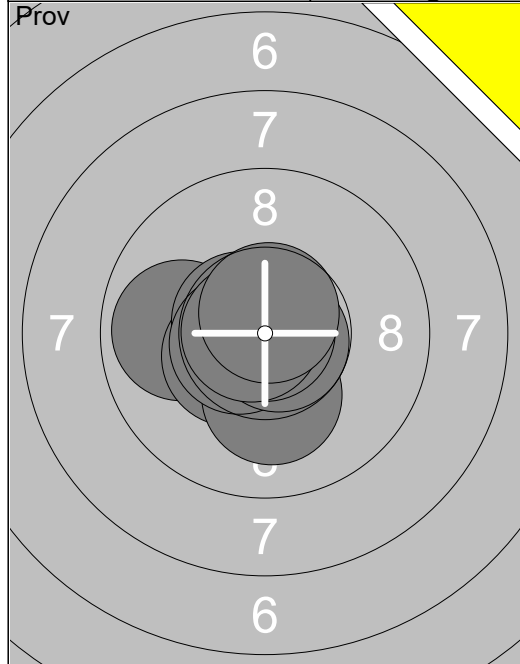
11:	10.7	↖
12:	10.3	↘
13:	10.8	↘
14:	10.4	↖
15:	10.6	↑
16:	10.8	↑
17:	10.1	↖
18:	10.4	↖
19:	10.7	→
20:	10.4	→
Serie		105.2
Total		209.2



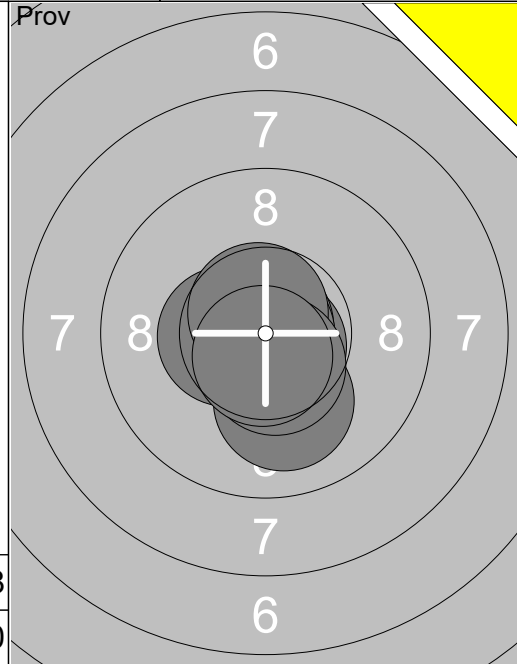
21:	10.2	↘
22:	10.7	→
23:	10.6	→
24:	10.6	↘
25:	10.1	↘
26:	10.5	↗
27:	10.9	↓
28:	10.5	↘
29:	10.6	↓
30:	10.0	↑
Serie		104.7
Total		313.9



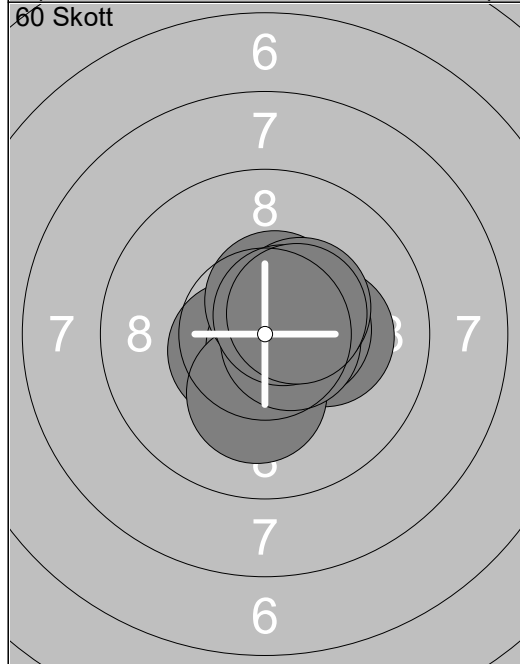
31:	10.3	↘
32:	10.8	→
33:	10.1	↗
34:	10.2	→
35:	10.5	↖
36:	10.7	↑
37:	10.5	→
38:	9.8	→
39:	10.3	↘
40:	10.6	↖
Serie		103.8
Total		417.7



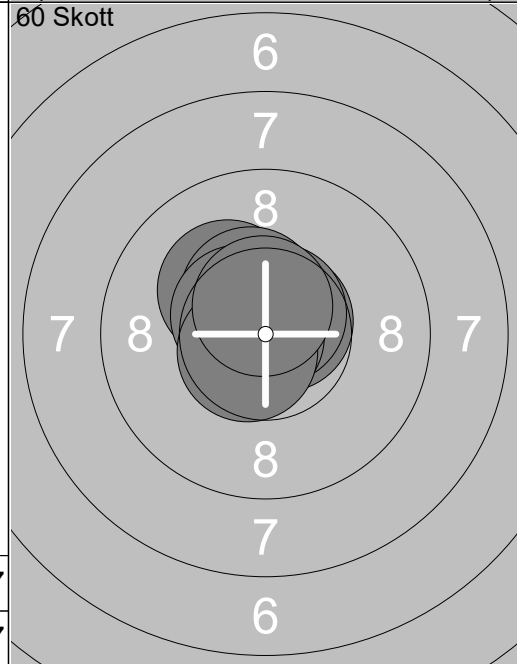
1:	9.9	←
2:	10.9	↘
3:	10.4	↘
4:	10.6	↘
5:	10.2	↓
6:	10.6	↘
7:	10.8	↘
8:	10.9	↑
9:	10.8	↖
10:	10.7	↗
Serie		105.8
Total		0.0



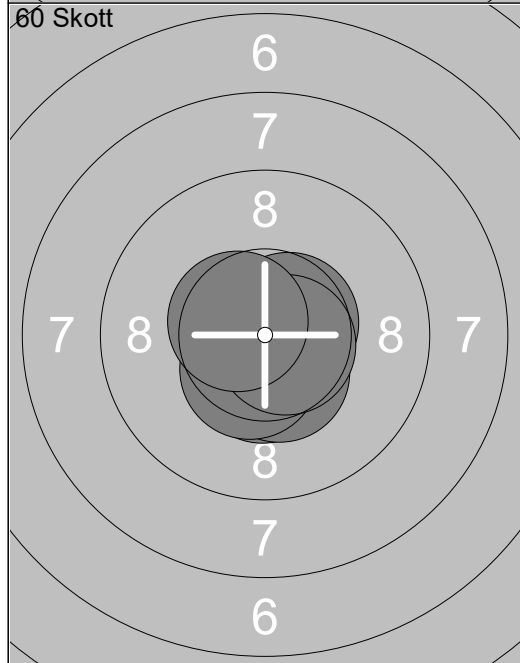
11:	10.5	↖
12:	10.7	↘
13:	10.9	↗
14:	10.9	↓
15:	10.7	↗
16:	10.1	↓
17:	10.5	↘
18:	10.7	↘
Serie		85.0
Total		0.0



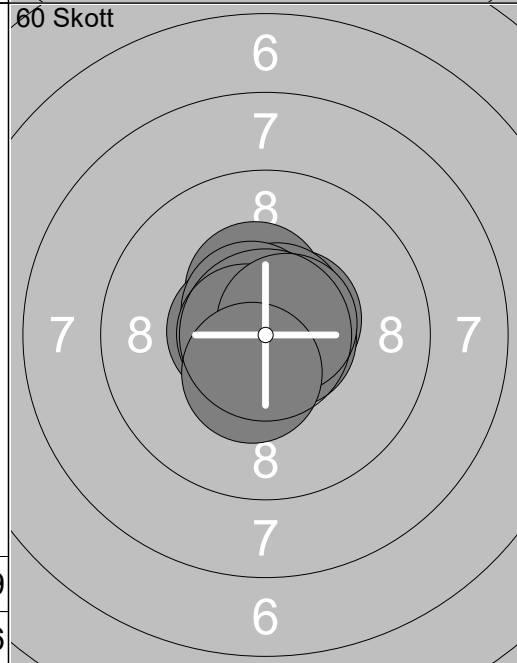
1:	10.5	↘
2:	10.7	↘
3:	10.2	→
4:	10.2	↓
5:	10.5	↗
6:	10.5	→
7:	10.6	→
8:	10.4	↗
9:	10.6	↗
10:	10.5	↗
Serie		104.7
Total		104.7



11:	10.6	↘
12:	10.7	↗
13:	10.2	↘
14:	10.4	↗
15:	10.8	↖
16:	10.7	↗
17:	10.8	↖
18:	10.6	↖
19:	10.6	↘
20:	10.6	↗
Serie		106.0
Total		210.7



21:	10.6	↗
22:	10.6	↓
23:	10.6	↓
24:	10.7	↘
25:	10.5	↓
26:	10.7	↘
27:	10.4	↓
28:	10.5	↘
29:	10.7	→
30:	10.6	↖
Serie		105.9
Total		316.6



31:	10.6	↗
32:	10.8	→
33:	10.4	↗
34:	10.6	↖
35:	10.6	↗
36:	10.6	↘
37:	10.7	↖
38:	10.7	→
39:	10.6	↗
40:	10.4	↘
Serie		106.0
Total		422.6

<p>Prov</p>	<p>1: 10.6x↓ 2: 10.4x↑ 3: 10.5x↘ 4: 10.6x→ 5: 10.7x↓ 6: 10.7x→ 7: 10.1↖ 8: 10.6x↗ 9: 10.8x↘ 10: 10.8x↘</p>	<p>Prov</p>	<p>11: 10.8x↖ 12: 10.7x↑ 13: 10.4x↗ 14: 10.4x→ 15: 10.8x↘</p>
Serie	105.8	Serie	53.1
Total	0.0	Total	0.0

<p>60 Skott</p>	<p>1: 10.7x↘ 2: 10.6x→ 3: 10.6x↓ 4: 10.9x↖ 5: 10.9x↗ 6: 10.6x↓ 7: 10.3x↓ 8: 10.4x↘ 9: 10.4x↘ 10: 10.5x↗</p>	<p>60 Skott</p>	<p>11: 10.5x↖ 12: 10.8x→ 13: 10.7x↖ 14: 10.6x↗ 15: 10.7x↗ 16: 10.6x↗ 17: 10.6x↘ 18: 10.2x→ 19: 10.6x↘ 20: 10.5x↘</p>
Serie	105.9	Serie	105.8
Total	105.9	Total	211.7

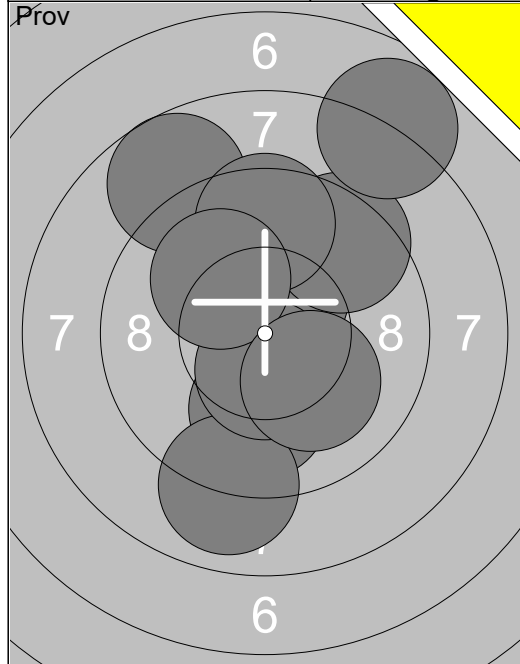
<p>60 Skott</p>	<p>21: 10.9x↗ 22: 10.4x↘ 23: 10.4x↓ 24: 10.7x↓ 25: 10.6x→ 26: 10.6x↖ 27: 10.4x↘ 28: 10.7x→ 29: 10.8x→ 30: 10.8x↓</p>	<p>60 Skott</p>	<p>31: 10.8x↗ 32: 10.4x↗ 33: 10.6x↖ 34: 10.9x↖ 35: 10.4x↗ 36: 10.7x↘ 37: 10.8x↘ 38: 10.7x↗ 39: 10.6x↗ 40: 10.6x↘</p>
Serie	106.3	Serie	106.5
Total	318.0	Total	424.5

<p>Pröv</p>	<p>1: 10.0 ←</p> <p>2: 10.5x →</p> <p>3: 10.2x →</p> <p>4: 10.5x →</p> <p>5: 9.1 ↘</p> <p>6: 9.0 ↘</p> <p>7: 10.5x ↙</p> <p>8: 10.3x →</p> <p>9: 10.0 ↘</p> <p>10: 9.8 ↓</p> <p>Serie 99.9</p> <p>Total 0.0</p>	<p>Pröv</p>	<p>11: 10.3x ←</p> <p>12: 10.7x ↘</p> <p>13: 10.1 ↓</p> <p>14: 9.0 ←</p> <p>15: 10.5x ↘</p> <p>16: 10.2x →</p> <p>17: 9.9 ↓</p> <p>18: 9.9 ↘</p> <p>19: 9.6 →</p> <p>20: 9.3 ↓</p> <p>Serie 99.5</p> <p>Total 0.0</p>
-------------	---	-------------	---

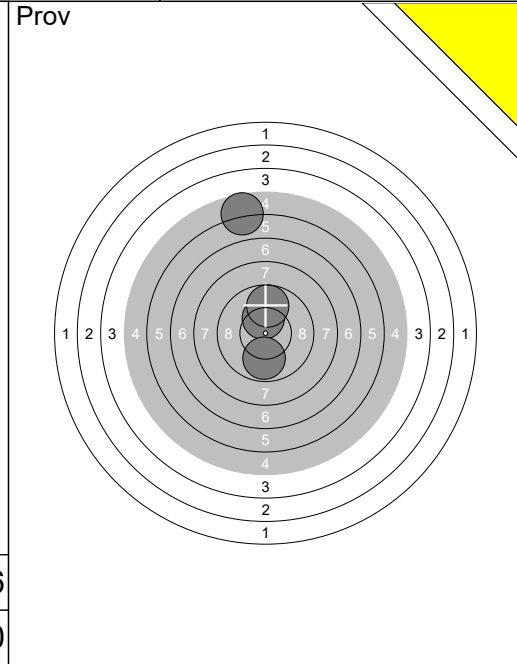
<p>Pröv</p>	<p>21: 9.5 →</p> <p>22: 10.5x ↑</p> <p>23: 9.8 ↘</p> <p>24: 9.8 ↘</p> <p>25: 10.2x ↗</p> <p>26: 10.7x ↘</p> <p>27: 9.5 ↑</p> <p>28: 10.6x ↘</p> <p>29: 10.5x ↘</p> <p>Serie 91.1</p> <p>Total 0.0</p>	<p>60 Skott</p>	<p>1: 9.7 ↘</p> <p>2: 10.1 →</p> <p>3: 10.0 ↗</p> <p>4: 9.2 →</p> <p>5: 10.3x ↗</p> <p>6: 9.2 →</p> <p>7: 10.2x ↗</p> <p>8: 9.4 ↗</p> <p>9: 9.5 ↑</p> <p>10: 9.8 ↑</p> <p>Serie 97.4</p> <p>Total 97.4</p>
-------------	---	-----------------	--

<p>60 Skott</p>	<p>11: 10.5x ↘</p> <p>12: 9.7 →</p> <p>13: 9.8 ↘</p> <p>14: 10.6x ↗</p> <p>15: 10.0 ↗</p> <p>16: 9.6 ↗</p> <p>17: 8.7 →</p> <p>18: 9.9 ↘</p> <p>19: 10.1 →</p> <p>20: 10.4x ↑</p> <p>Serie 99.3</p> <p>Total 196.7</p>	<p>60 Skott</p>	<p>21: 9.6 ←</p> <p>22: 10.2x ↗</p> <p>23: 10.1 →</p> <p>24: 9.4 ↗</p> <p>25: 9.9 →</p> <p>26: 10.1 ↗</p> <p>27: 10.4x →</p> <p>28: 10.2x →</p> <p>29: 10.8x ↑</p> <p>30: 9.9 ↗</p> <p>Serie 100.6</p> <p>Total 297.3</p>
-----------------	--	-----------------	---

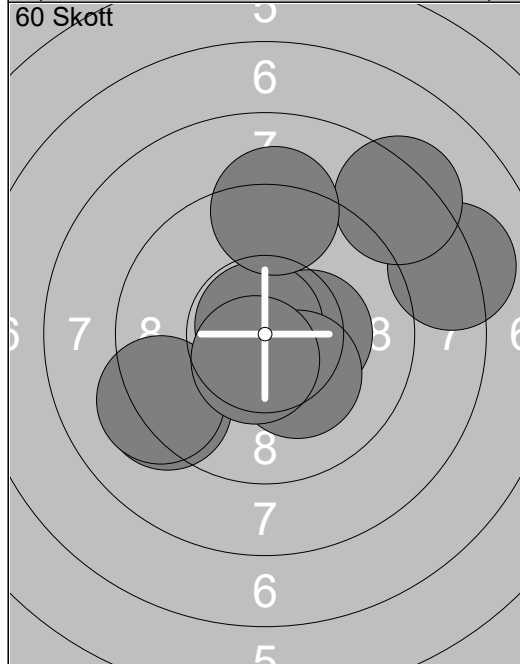
<p>60 Skott</p>	<p>31: 10.4x →</p> <p>32: 10.4x ↘</p> <p>33: 10.0 ↑</p> <p>34: 9.9 →</p> <p>35: 9.7 →</p> <p>36: 9.9 →</p> <p>37: 10.5x ↘</p> <p>38: 10.0 →</p> <p>39: 9.3 ↗</p> <p>40: 10.0 ↗</p> <p>Serie 100.1</p> <p>Total 397.4</p>		
-----------------	--	--	--



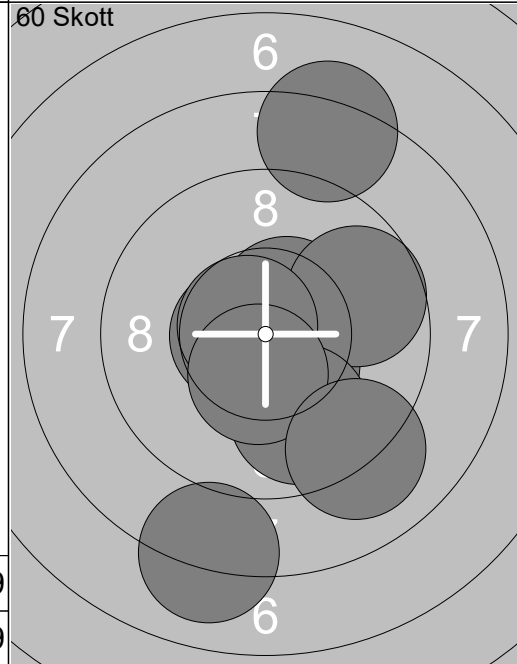
1:	10.0	↓
2:	10.4	x↑
3:	9.0	↓
4:	9.4	↗
5:	8.7	↖
6:	7.9	↗
7:	10.5	x↓
8:	9.6	↑
9:	10.0	↖
10:	10.1	↘
Serie		95.6
Total		0.0



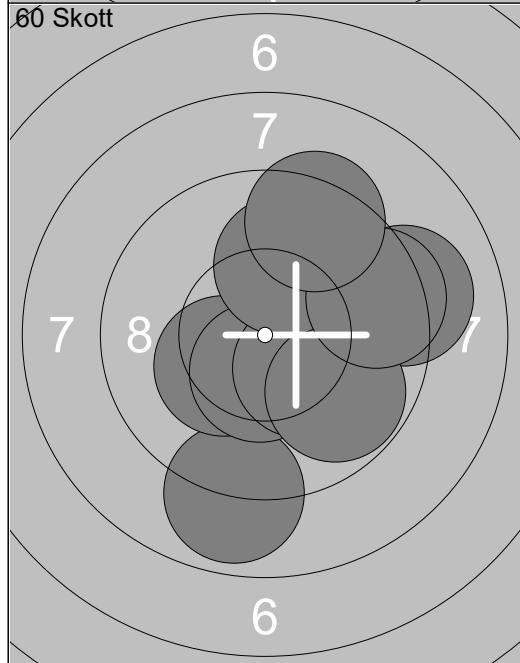
11:	5.7	↑
12:	10.3	x↑
13:	9.9	↓
15:	9.8	↑
Serie		35.7
Total		0.0



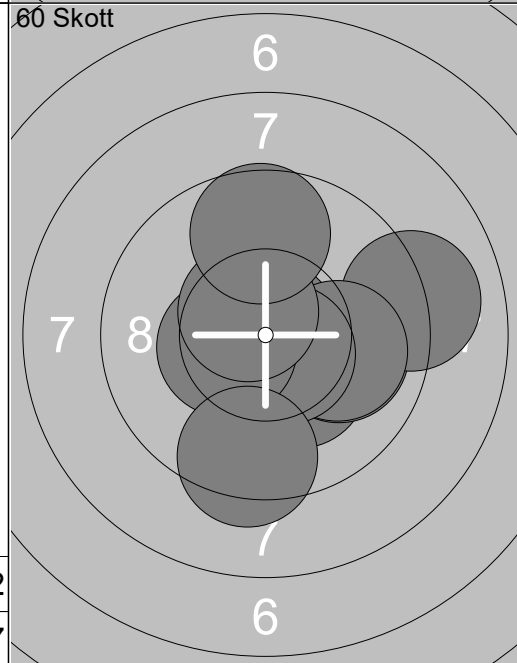
1:	10.8	x↗
2:	9.3	↙
3:	10.3	x→
4:	10.8	x↖
5:	9.2	↙
6:	8.2	→
7:	8.3	↗
8:	10.2	x↘
9:	10.6	x↓
10:	9.2	↑
Serie		96.9
Total		96.9



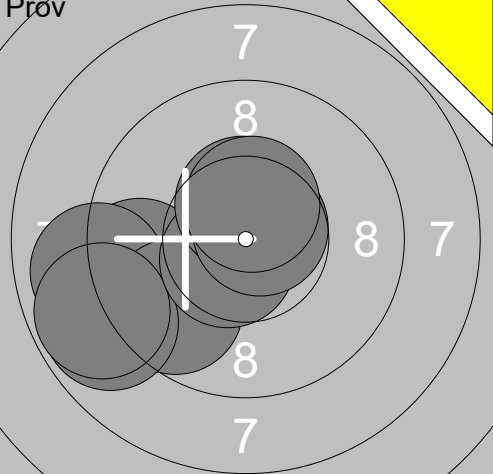
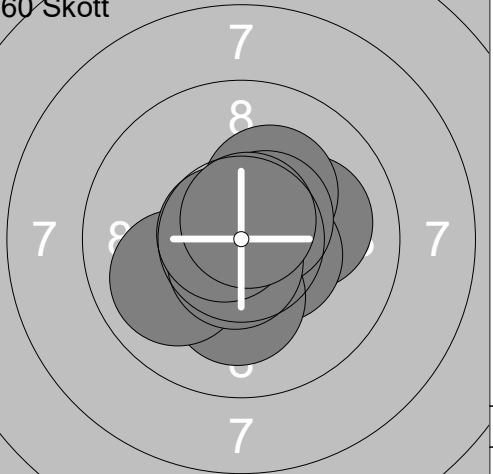
11:	10.5	x↘
12:	10.5	x↗
13:	9.7	→
14:	8.1	↓
15:	9.8	↓
16:	8.2	↑
17:	10.6	x↖
18:	10.7	x↖
19:	10.4	x↓
20:	9.1	↘
Serie		97.6
Total		194.5

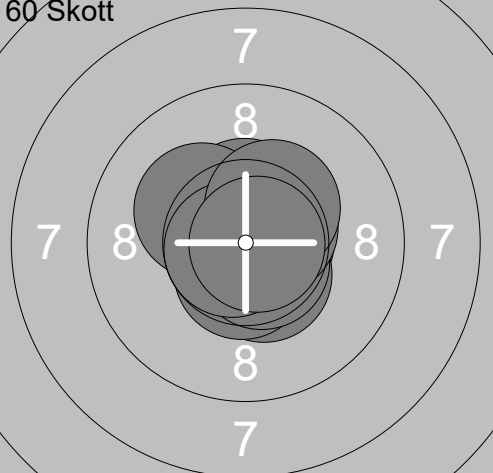
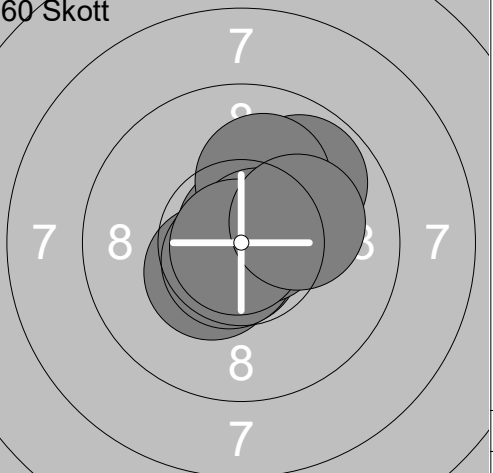


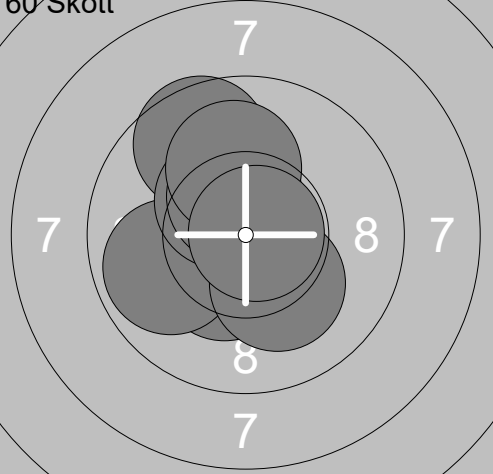
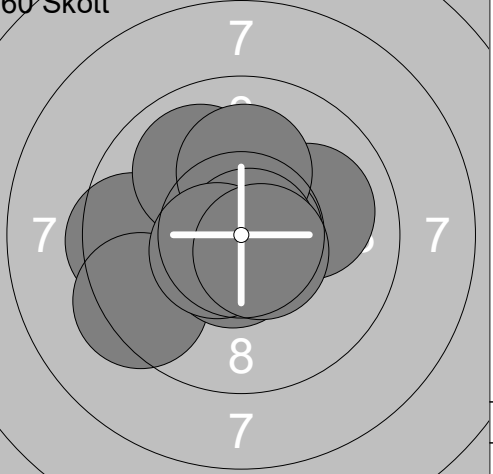
21:	8.9	↓
22:	10.4	x→
23:	10.3	x↖
24:	9.1	→
25:	10.5	x↓
26:	10.3	x↘
27:	9.8	↘
28:	10.0	↑
29:	9.5	→
30:	9.4	↗
Serie		98.2
Total		292.7

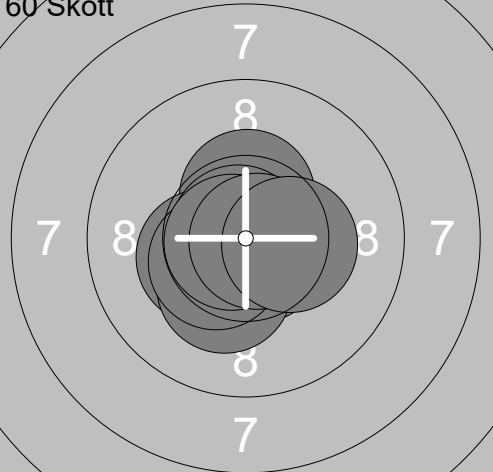


31:	10.9	x↗
32:	10.3	x↘
33:	10.0	→
34:	9.0	→
35:	10.0	→
36:	10.6	x↘
37:	10.4	x↖
38:	10.6	x↖
39:	9.7	↑
40:	9.4	↓
Serie		100.9
Total		393.6

<p>Pröv</p> 	<p>1: 9.5 ← 2: 9.0 ← 3: 9.7 ↙ 4: 8.8 ↙ 5: 8.8 ← 6: 10.6x ↙ 7: 10.5x ↑ 8: 10.7x ↗ 9: 10.5x ↑</p>	<p>60 Skott</p> 	<p>1: 10.1 → 2: 10.5x → 3: 10.2x ↗ 4: 10.2x ↓ 5: 10.5x ↗ 6: 10.0 ← 7: 10.8x ← 8: 10.7x ↓ 9: 10.7x ← 10: 10.7x ↑</p>
Serie 88.1		Serie 104.4	
Total 0.0		Total 104.4	

<p>60 Skott</p> 	<p>11: 10.5x ↑ 12: 10.2x ↖ 13: 10.7x → 14: 10.5x ↓ 15: 10.6x ↓ 16: 10.6x ↓ 17: 10.7x ← 18: 10.6x ↗ 19: 10.4x ↗ 20: 10.8x →</p>	<p>60 Skott</p> 	<p>21: 10.5x ↗ 22: 9.9 ↗ 23: 10.7x ↙ 24: 10.8x ↑ 25: 10.4x ↙ 26: 10.7x ↙ 27: 10.1 ↑ 28: 10.7x → 29: 10.9x ↙ 30: 10.2x →</p>
Serie 105.6		Serie 104.9	
Total 210.0		Total 314.9	

<p>60 Skott</p> 	<p>31: 10.8x ← 32: 10.6x ← 33: 10.4x ↙ 34: 9.6 ↗ 35: 9.9 ← 36: 10.2x ↙ 37: 10.4x ↗ 38: 10.4x ↑ 39: 10.1 ↑ 40: 10.8x →</p>	<p>60 Skott</p> 	<p>41: 9.5 ← 42: 9.4 ← 43: 10.0 → 44: 10.8x → 45: 10.6x ↓ 46: 10.0 ↗ 47: 10.1 ↑ 48: 10.8x → 49: 10.6x ← 50: 10.6x ↙</p>
Serie 103.2		Serie 102.4	
Total 418.1		Total 520.5	

<p>60 Skott</p> 	<p>51: 10.4x ↑ 52: 10.7x ↓ 53: 10.4x ← 54: 10.3x ↓ 55: 10.8x ↙ 56: 10.5x ↙ 57: 10.8x ↗ 58: 10.8x ← 59: 10.8x → 60: 10.4x →</p>		
Serie 105.9			
Total 626.4			