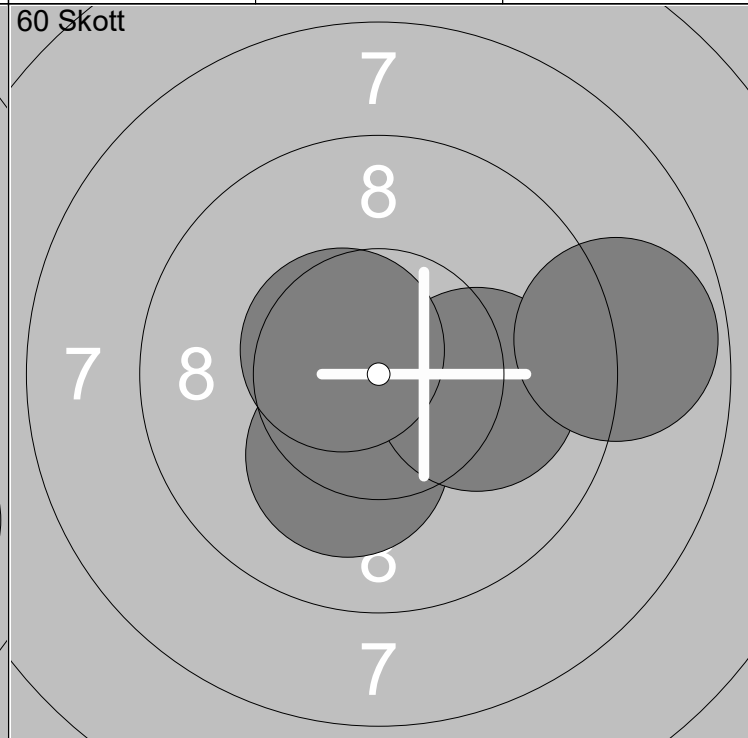
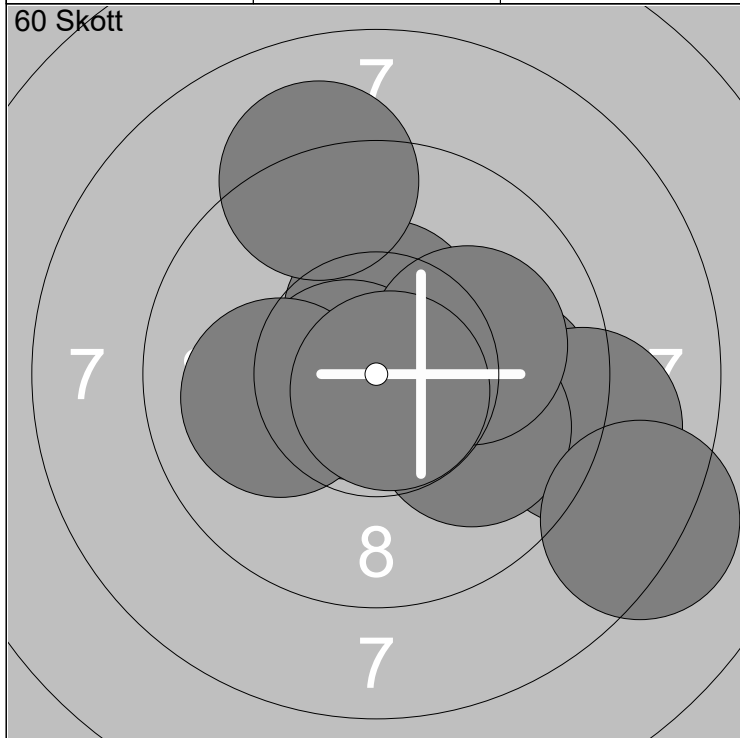


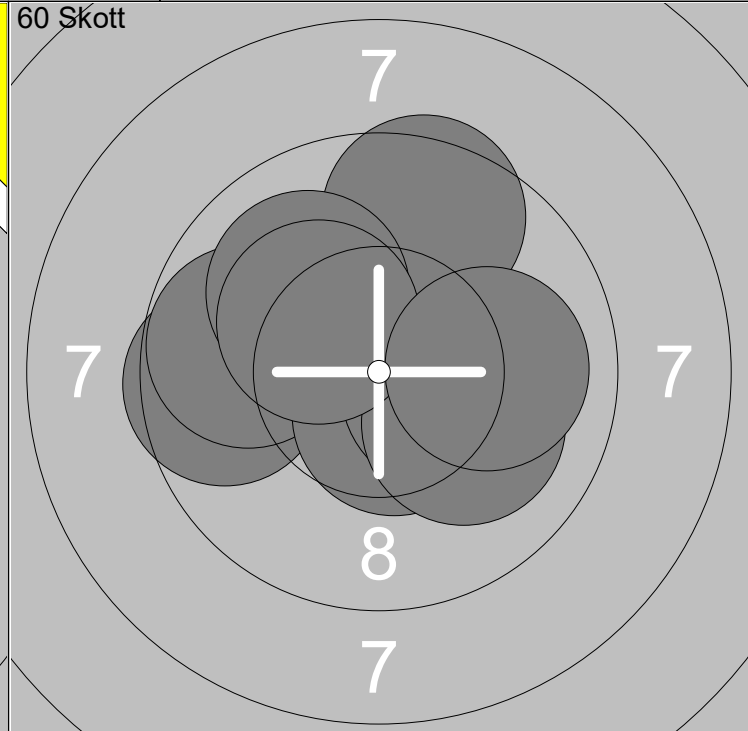
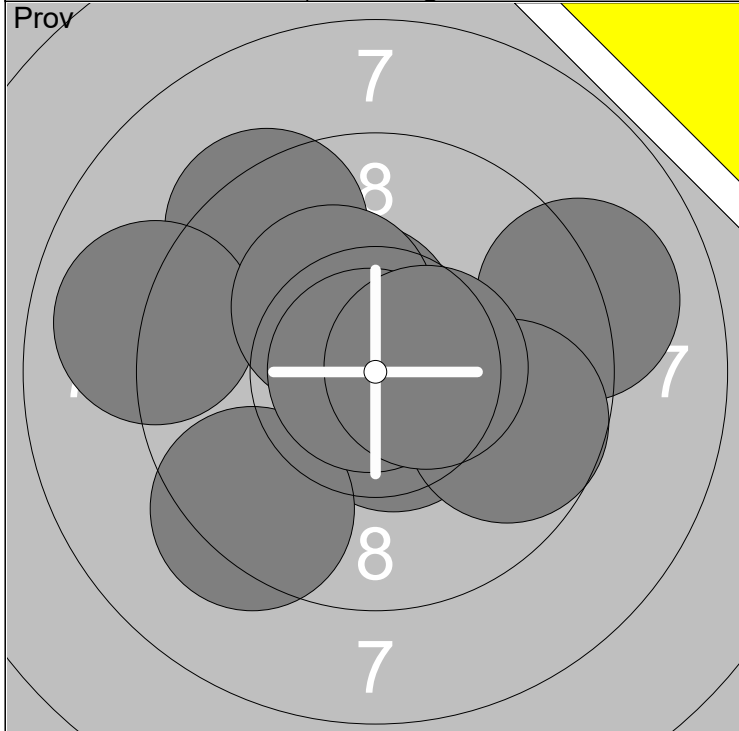
1: 9.6 →	6: 9.8 ↗	Serie	79.0
2: 8.9 ↘	7: 10.2x ←		
3: 10.4x ←	8: 10.5x ↗	Total	0.0
4: 10.5x ↘			
5: 9.1 ↘			

1: 8.9 →	6: 10.4x →	Serie	98.4
2: 8.8 →	7: 10.6x ←		
3: 9.6 ↗	8: 10.4x →	Total	98.4
4: 10.0 ↘	9: 9.9 →		
5: 10.0 ↘	10: 9.8 →		



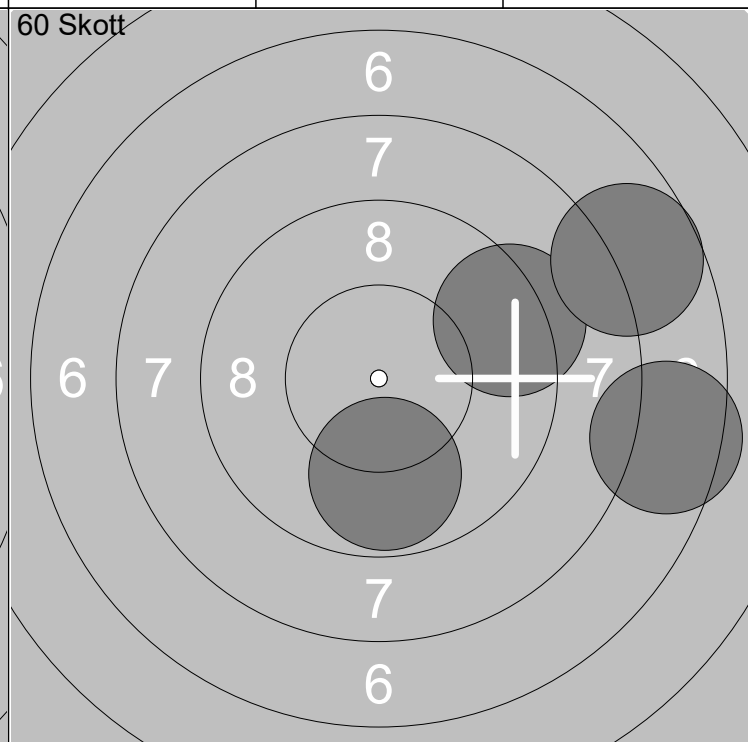
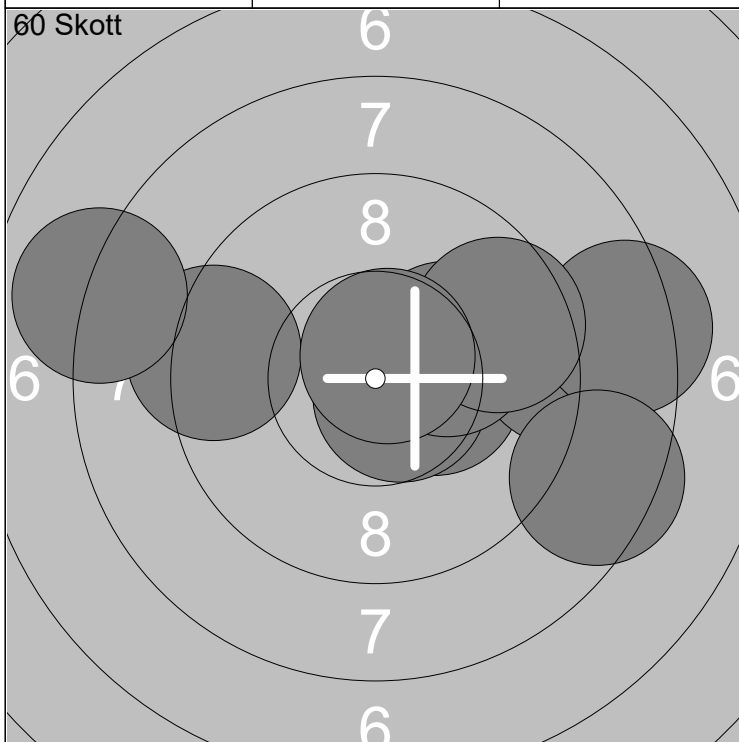
11: 10.5x ↑	16: 10.7x ←	Serie	98.3
12: 9.1 ↑	17: 10.1 →		
13: 9.8 →	18: 8.2 ↘	Total	196.7
14: 9.0 →	19: 10.1 ←		
15: 10.0 ↘	20: 10.8x ↘		

21: 10.2x ↘	Serie	39.7
22: 10.1 →		
23: 10.6x ↗	Total	236.4
24: 8.8 →		



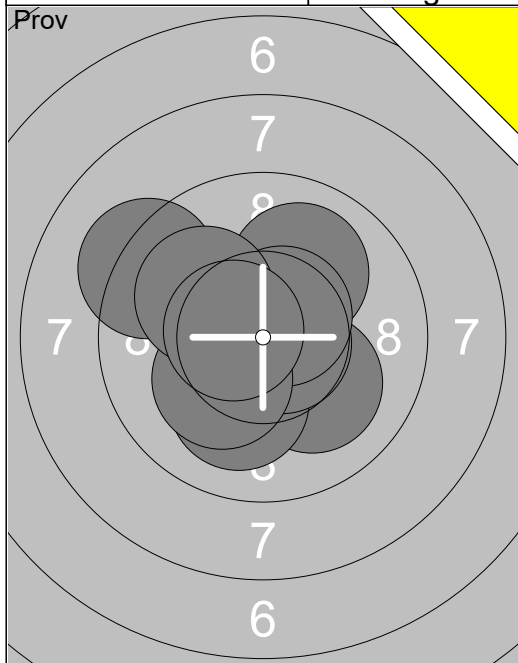
1: 10.5x ↗	6: 9.4 ↗	Serie	99.3
2: 10.6x ↘	7: 9.0 ←		
3: 9.3 ↘	8: 10.3x ↗	Total	0.0
4: 9.1 →	9: 10.9x ←		
5: 9.7 →	10: 10.5x →		

1: 9.6 ←	6: 10.1 ↘	Serie	100.5
2: 9.8 ←	7: 9.5 ↗		
3: 10.2x →	8: 10.0 ↗	Total	100.5
4: 10.6x ↘	9: 10.3x ↗		
5: 10.4x →	10: 10.0 →		

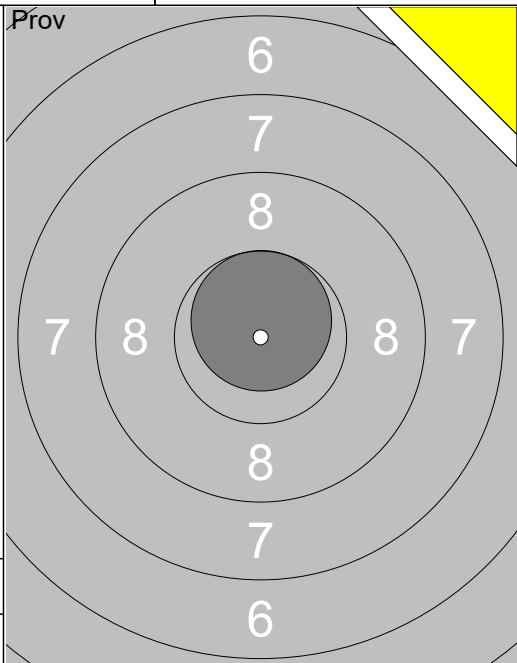


11: 9.3 ←	16: 8.3 →	Serie	94.5
12: 10.3x →	17: 10.2x →		
13: 10.6x ↘	18: 9.6 →	Total	195.0
14: 9.0 →	19: 10.7x ↗		
15: 8.0 ←	20: 8.5 ↘		

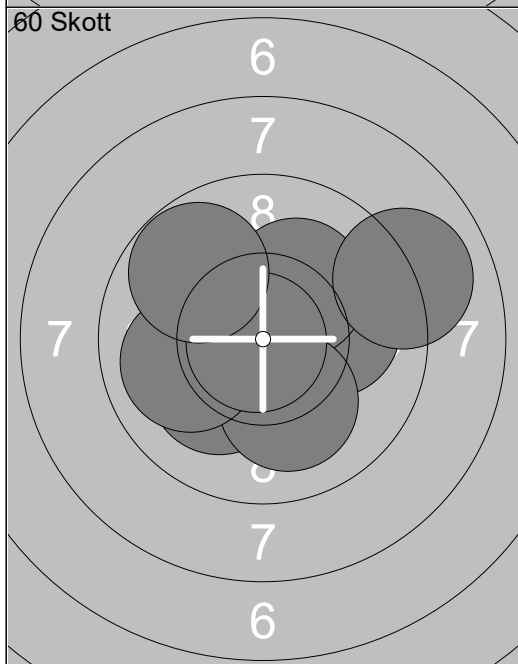
21: 9.3 →	Serie	34.3
22: 7.7 →		
23: 9.8 ↘	Total	229.3
24: 7.5 →		



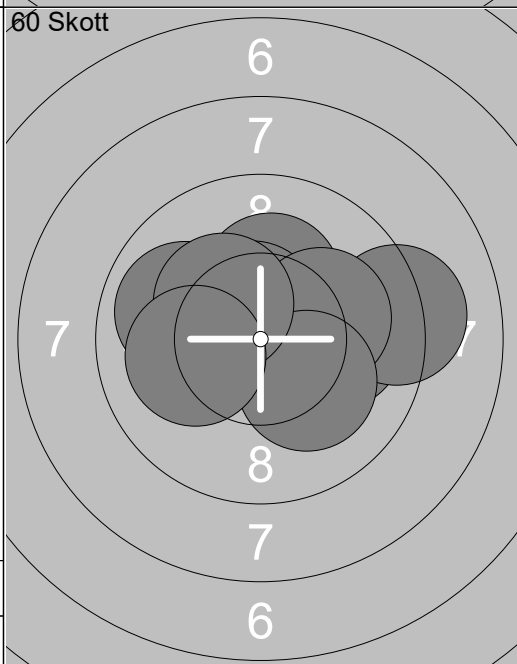
1:	10.6x↓
2:	10.1 ↘
3:	10.1 ↓
4:	10.7x→
5:	10.0 ↗
6:	10.6x↗
7:	10.2x↘
8:	9.2 ↖
9:	10.0 ↖
10:	10.6x↖
Serie 102.1	
Total 0.0	



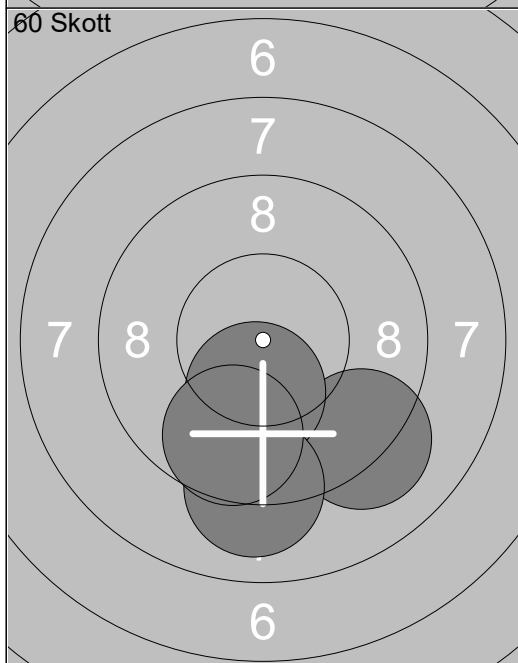
11:	10.7x↗
Serie 10.7	
Total 0.0	



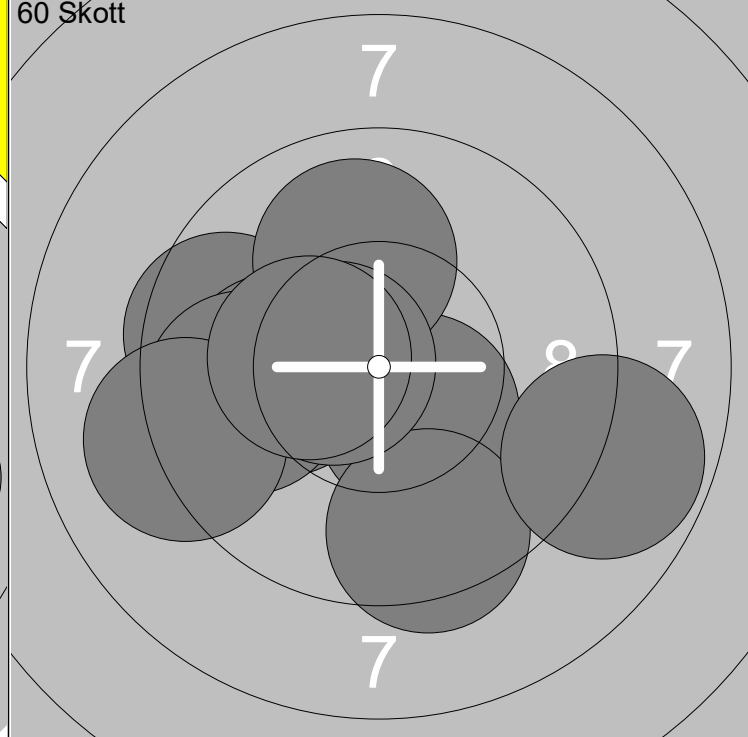
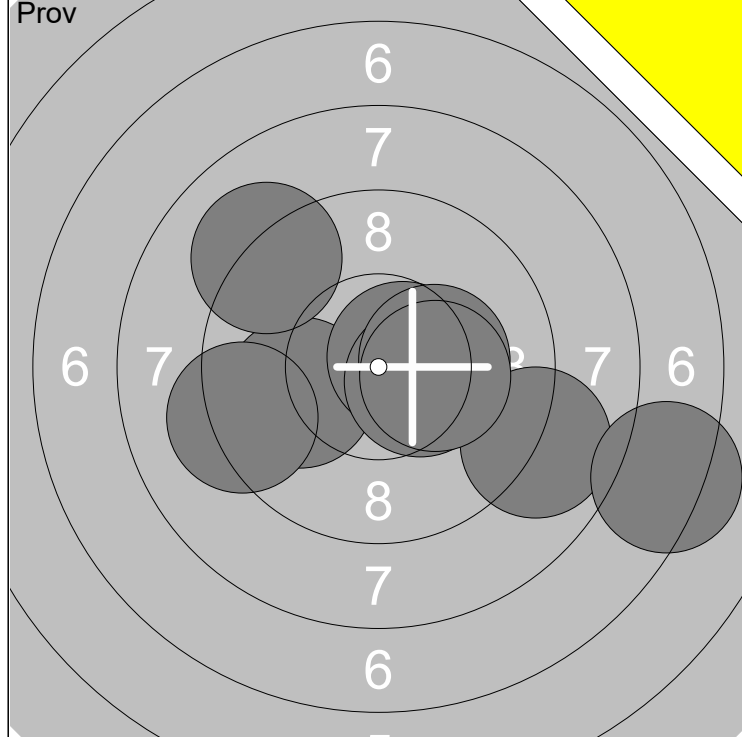
1:	10.8x↗
2:	10.1 ↘
3:	10.1 ↖
4:	10.1 →
5:	10.2x↗
6:	10.1 ↓
7:	10.0 ←
8:	10.9x↖
9:	9.0 →
10:	9.8 ↖
Serie 101.1	
Total 101.1	



11:	10.9x↘
12:	10.2x↗
13:	9.9 ↖
14:	10.0 →
15:	9.2 →
16:	10.6x↗
17:	10.1 →
18:	10.2x↘
19:	10.3x↖
20:	10.1 ←
Serie 101.5	
Total 202.6	

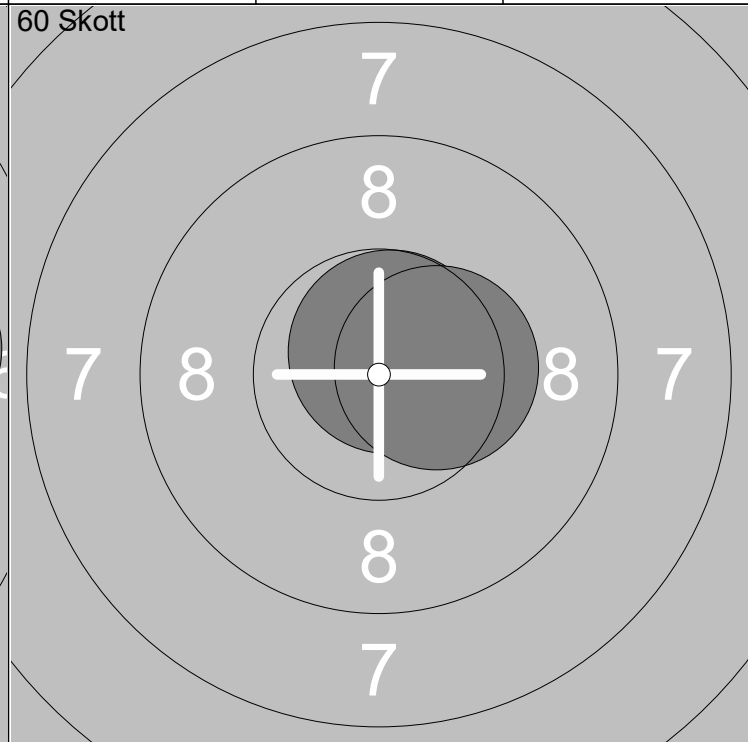
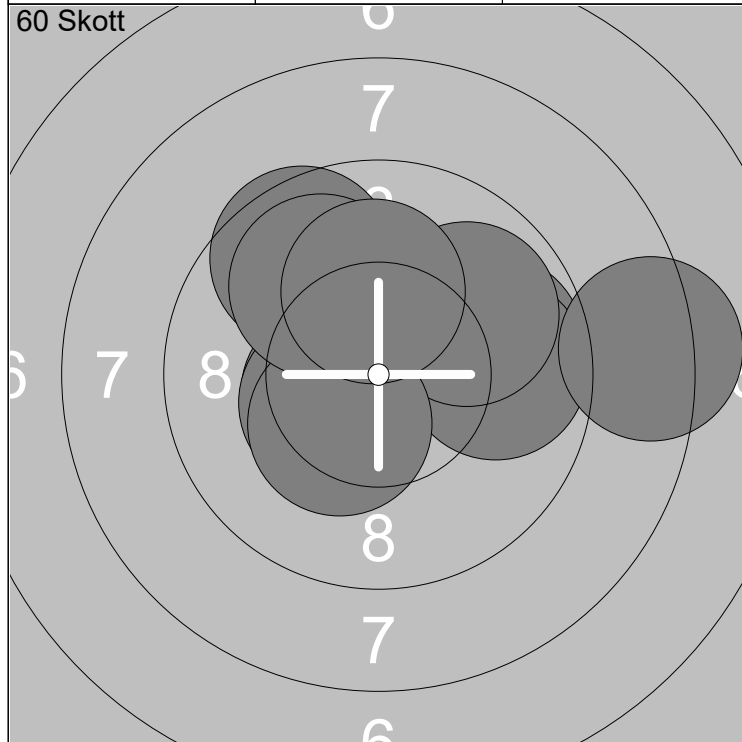


21:	9.2 ↘
22:	10.3x↓
23:	9.1 ↓
24:	9.7 ↓
Serie 38.3	
Total 240.9	



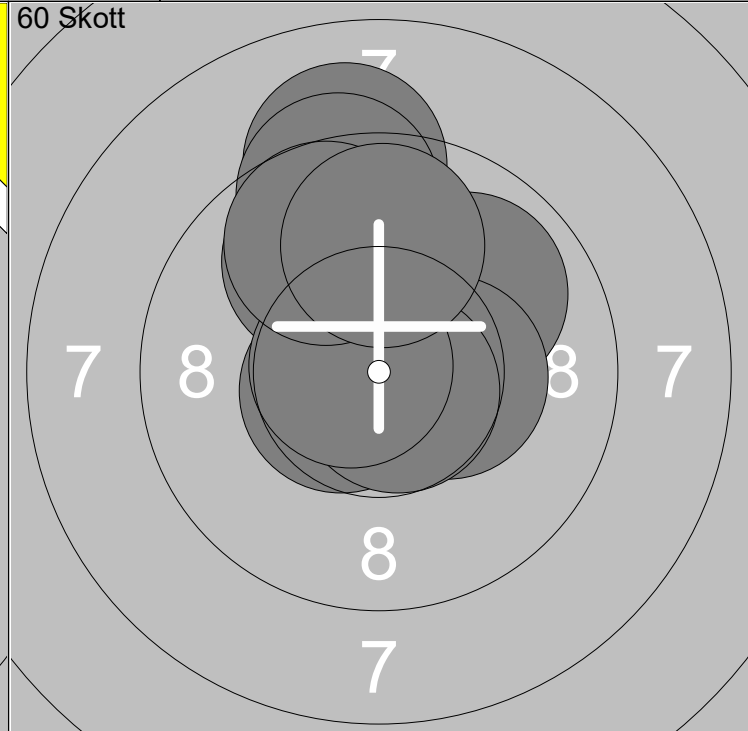
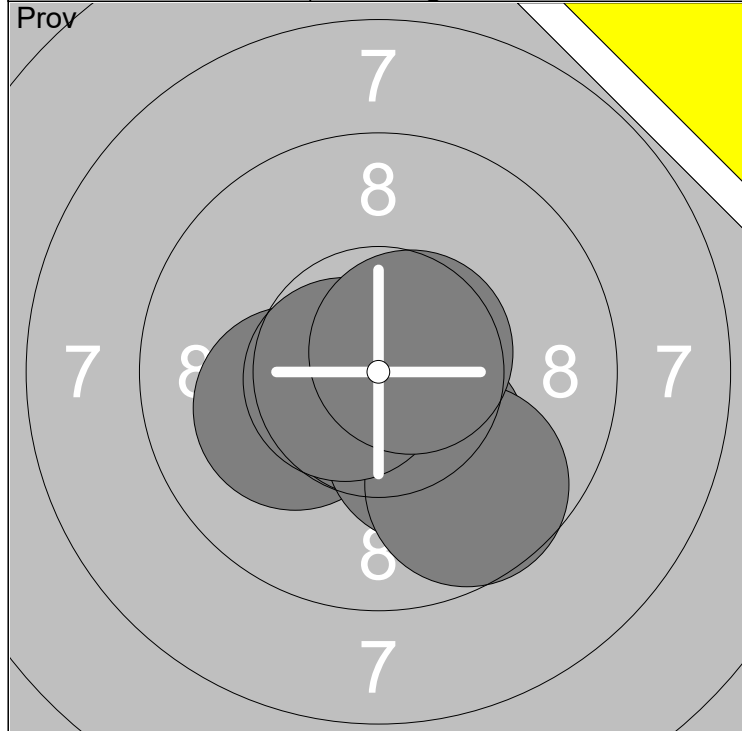
1: 8.9 →	6: 10.3x →	Serie	96.4
2: 7.3 →	7: 10.4x →		
3: 10.0 ←	8: 10.3x →	Total	0.0
4: 9.1 ↗	9: 9.2 ←		
5: 10.6x →	10: 10.3x →		

1: 9.6 ←	6: 10.0 ↑	Serie	98.1
2: 10.1 ←	7: 10.6x ←		
3: 10.4x ↘	8: 9.1 ←	Total	98.1
4: 9.4 ↓	9: 8.8 →		
5: 9.8 ←	10: 10.3x ←		



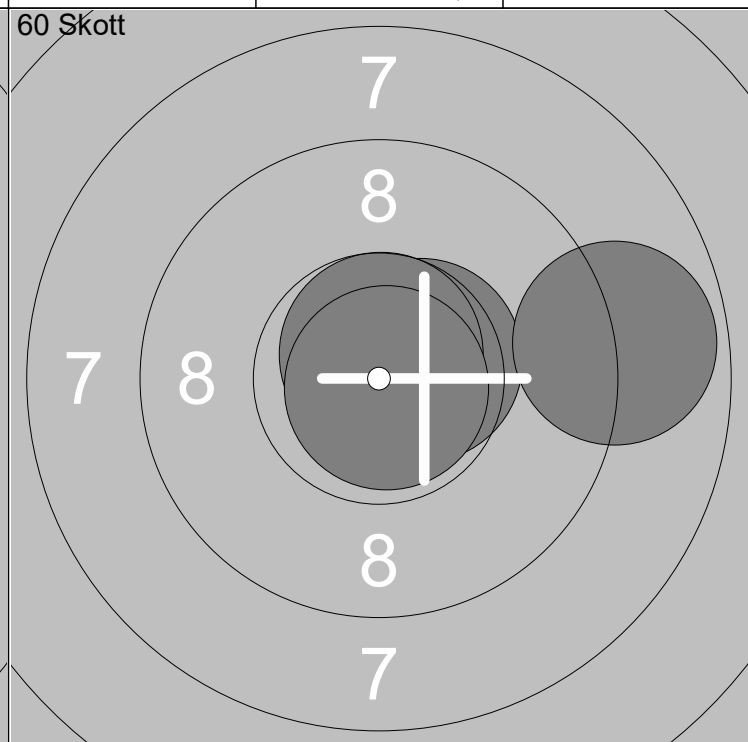
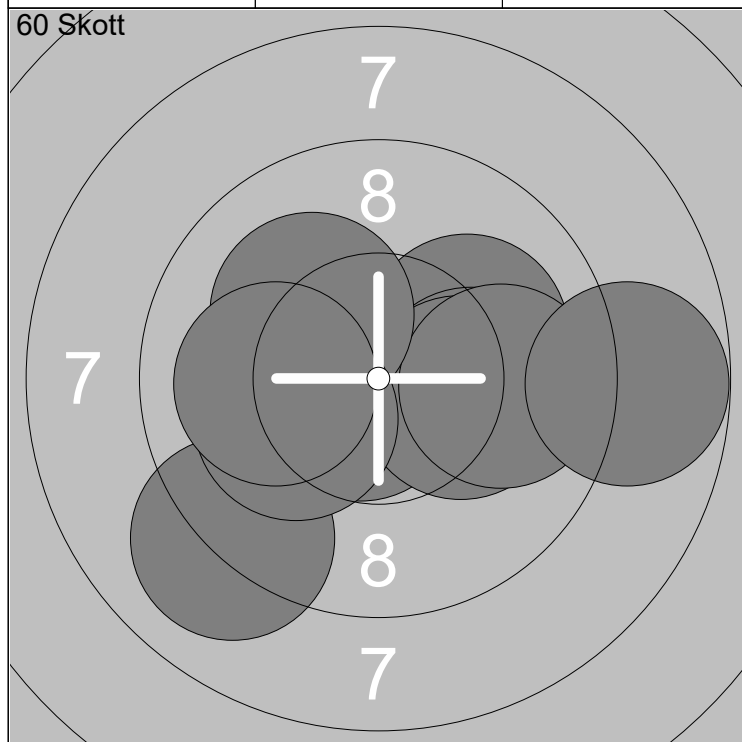
11: 9.8 →	16: 10.4x ↙	Serie	98.6
12: 9.6 ↗	17: 8.3 →		
13: 10.5x ←	18: 10.3x ↘	Total	196.7
14: 9.8 →	19: 9.9 ↗		
15: 9.9 ↗	20: 10.1 ↑		

21: 10.7x ↗	Serie	21.1
22: 10.4x →		
Total		217.8



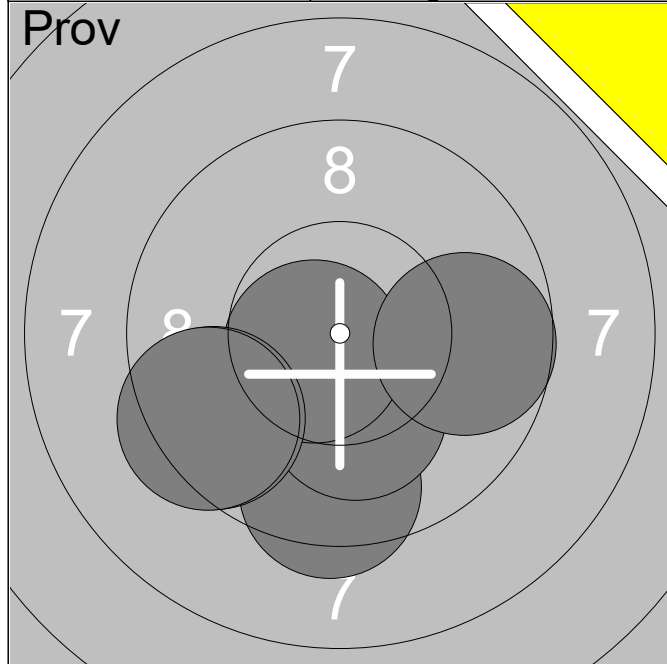
1: 10.1 ←	6: 10.6x ↗				
2: 10.8x ↓		Serie	62.1		
3: 10.2x ↓					
4: 9.7 ↓		Total	0.0		
5: 10.7x ←					

1: 9.1 ↑	6: 9.4 ↑				
2: 10.6x ↙	7: 9.9 ↗	Serie	100.2		
3: 9.9 ↗	8: 10.7x ←				
4: 10.4x →	9: 9.7 ↑	Total	100.2		
5: 10.7x ↘	10: 9.8 ↑				

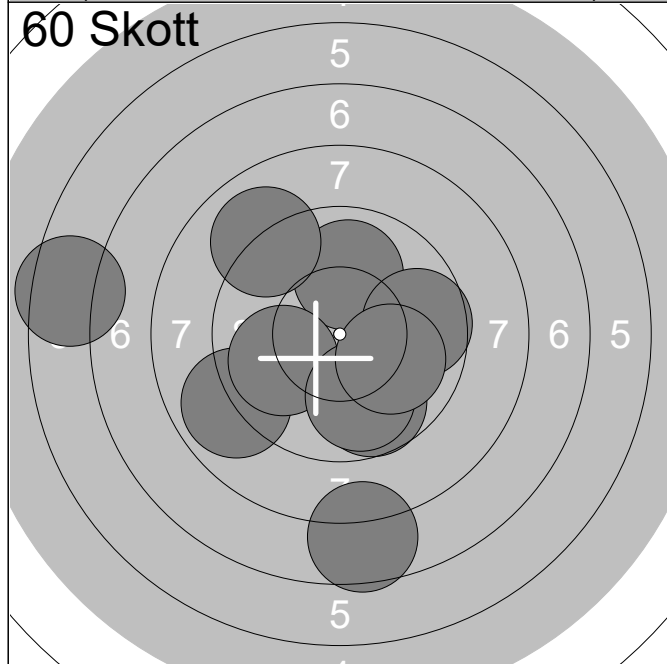


11: 10.1 ↗	16: 10.1 ↖				
12: 10.1 →	17: 9.1 ↙	Serie	99.1		
13: 10.7x ↙	18: 10.1 ←				
14: 10.2x →	19: 8.8 →	Total	199.3		
15: 9.9 →	20: 10.0 ←				

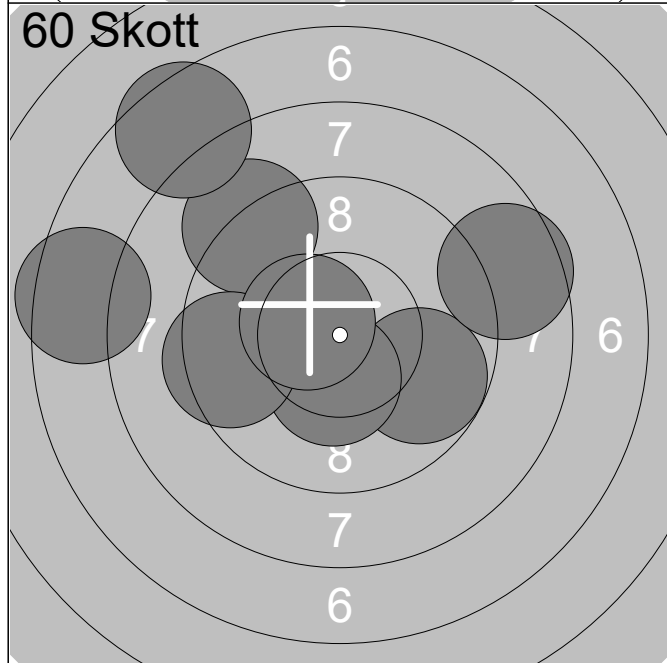
21: 10.6x ↗					
22: 10.7x ↑		Serie	41.0		
23: 8.9 →					
24: 10.8x ↘		Total	240.3		



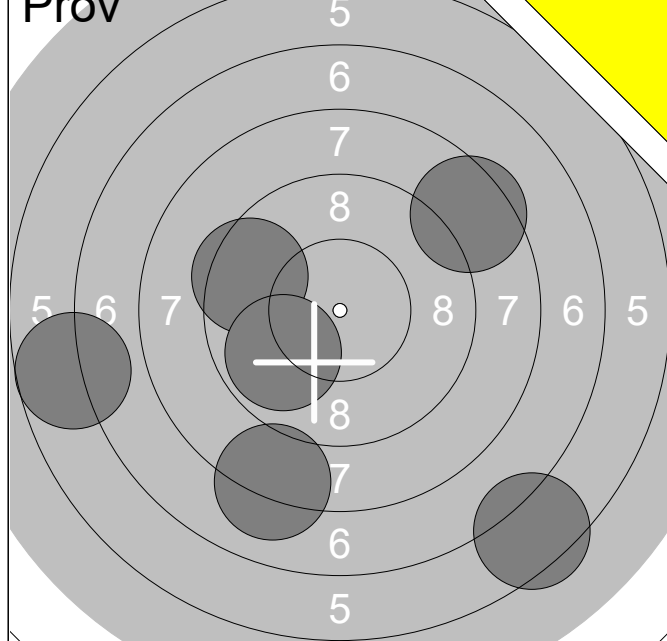
1:	9.4	↓
2:	10.2x	↓
3:	10.6x	↙
4:	9.5	↙
5:	9.4	↙
6:	9.7	→
Serie		58.8
Total		0.0



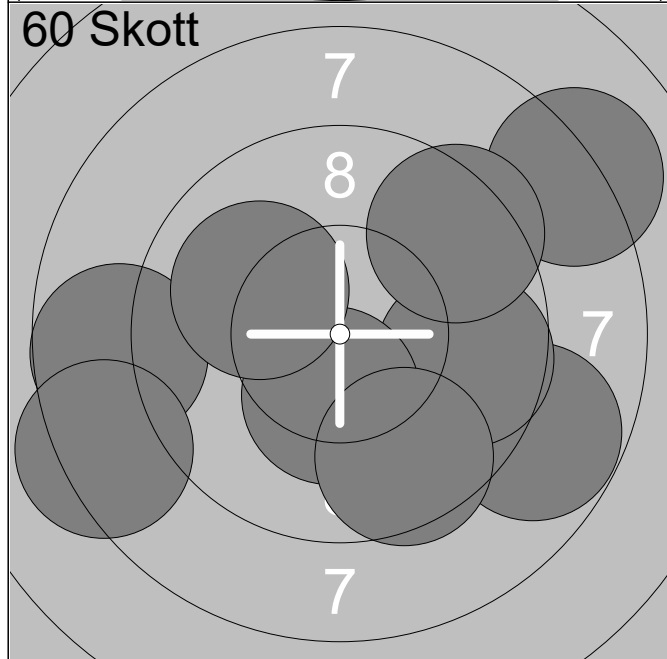
1:	9.7	↓
2:	8.9	↙
3:	6.5	←
4:	10.0	↑
5:	9.0	↗
6:	9.7	→
7:	9.9	↙
8:	9.9	↓
9:	7.6	↓
10:	10.0	↘
Serie		91.2
Total		91.2



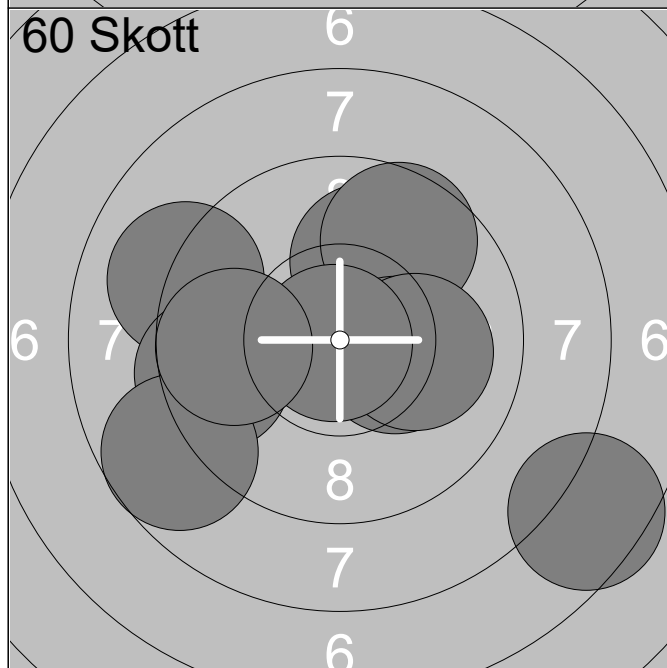
11:	9.1	↗
12:	7.5	←
13:	9.8	↘
14:	8.6	→
15:	10.4x	↓
16:	7.5	↗
17:	9.5	↙
18:	10.5x	↙
Serie		72.9
Total		164.1



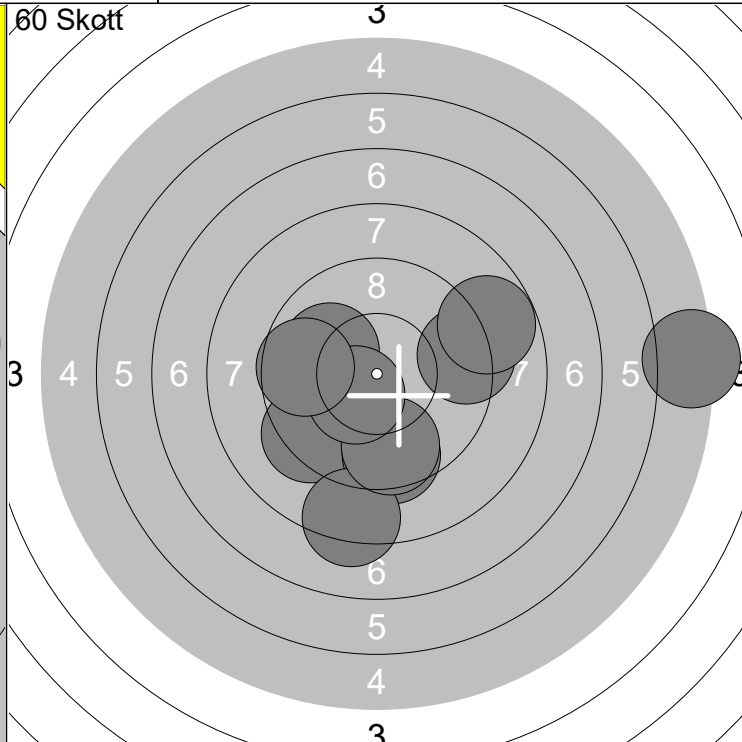
1:	9.5	↖
2:	9.9	↙
3:	6.7	←
4:	6.4	↘
5:	8.5	↗
6:	8.1	↙
Serie		49.1
Total		0.0



1:	9.5	↘
2:	8.8	↘
3:	8.1	↗
4:	9.7	→
5:	8.7	←
6:	10.3x	↓
7:	8.3	←
8:	9.6	↓
9:	9.4	↗
10:	10.0	↖
Serie		92.4
Total		92.4

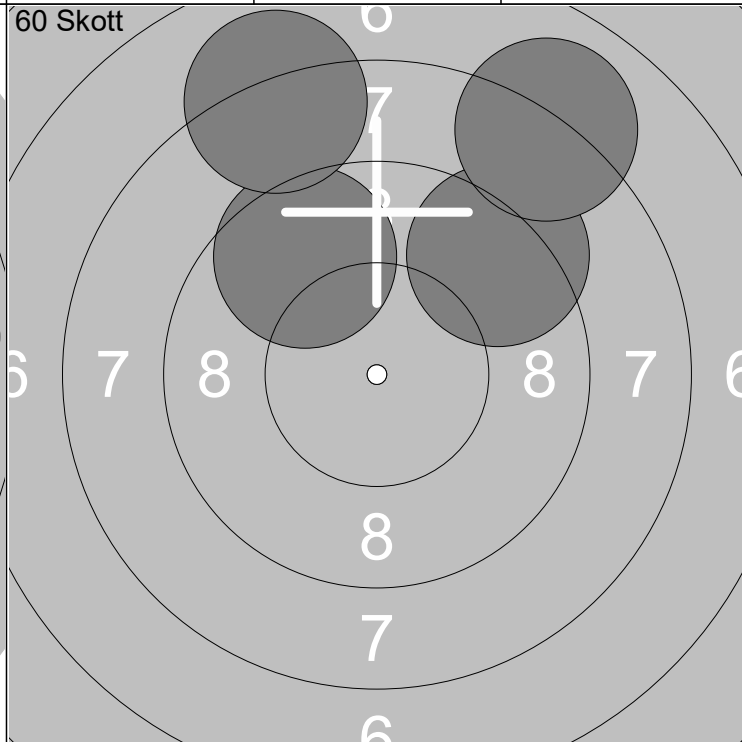
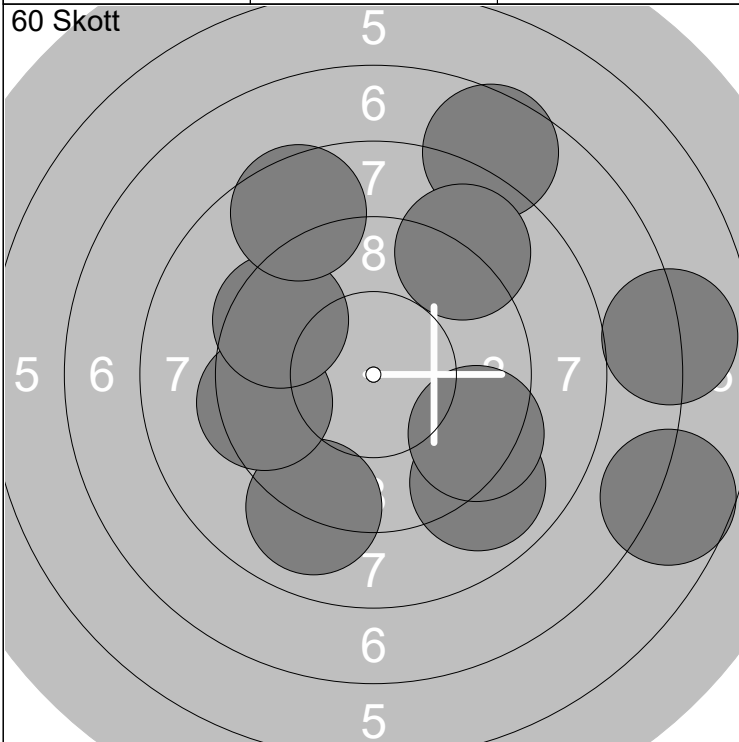


11:	10.0	↑
12:	9.1	↖
13:	9.5	←
14:	9.6	↗
15:	7.5	↘
16:	10.3x	→
17:	8.7	↙
18:	10.1	→
19:	10.9x	←
20:	9.7	←
Serie		95.4
Total		187.8



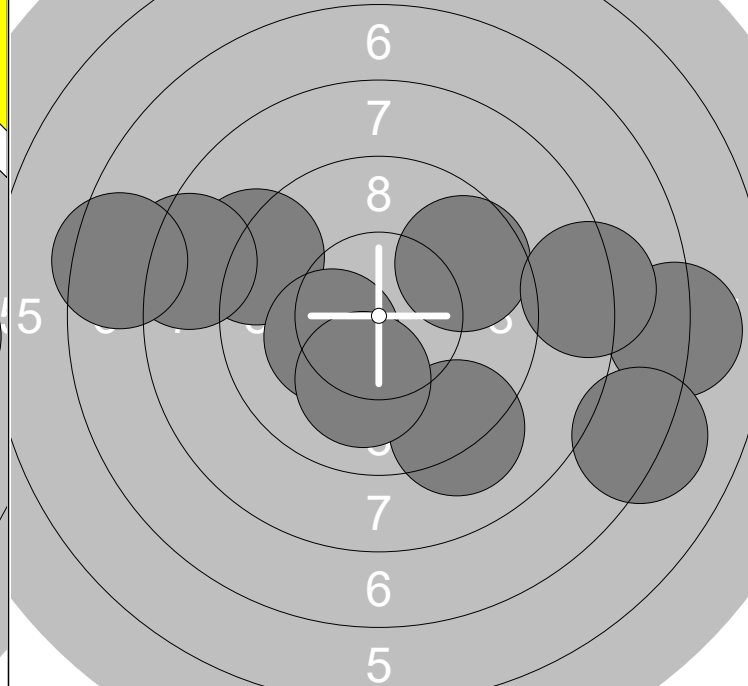
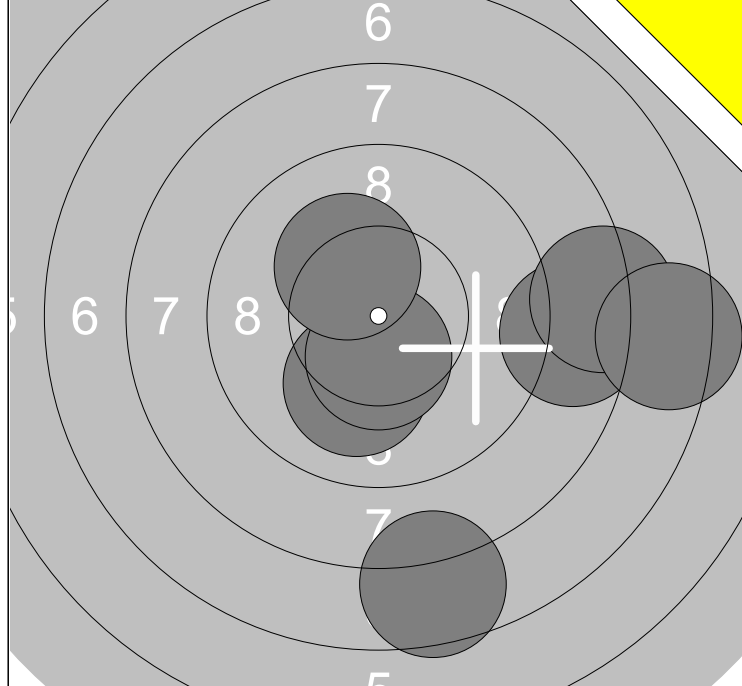
1: 8.4 ←	6: 8.6 ↗	Serie	71.1
2: 9.1 ↗	7: 7.7 ↓		
3: 9.3 ↘	8: 7.7 →	Total	0.0
4: 9.8 ↑			
5: 10.5x ↓			

1: 9.3 ↙	6: 8.3 ↓	Serie	90.0
2: 9.5 ↓	7: 8.8 ↗		
3: 9.3 →	8: 9.6 ↓	Total	90.0
4: 10.0 ↖	9: 10.4x ↙		
5: 5.2 →	10: 9.6 ←		



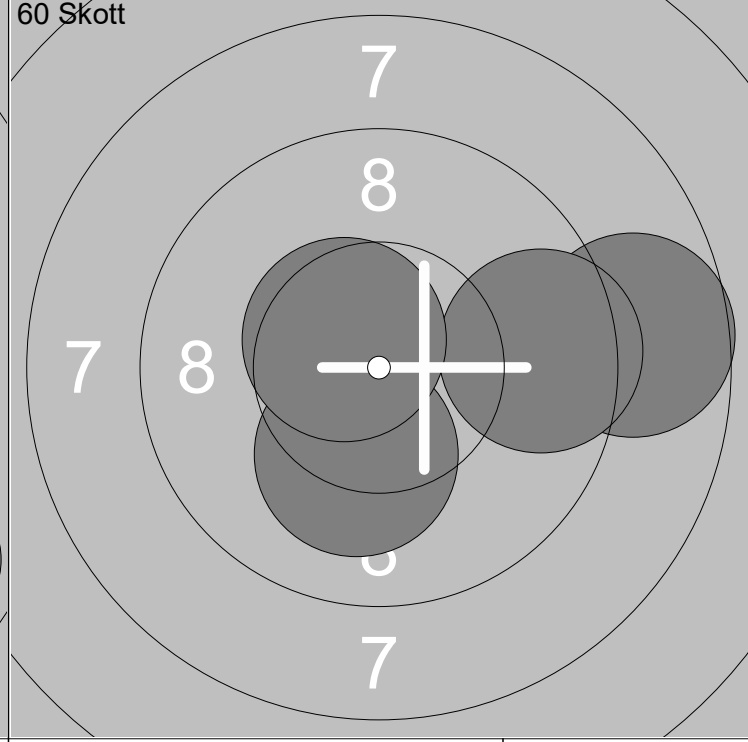
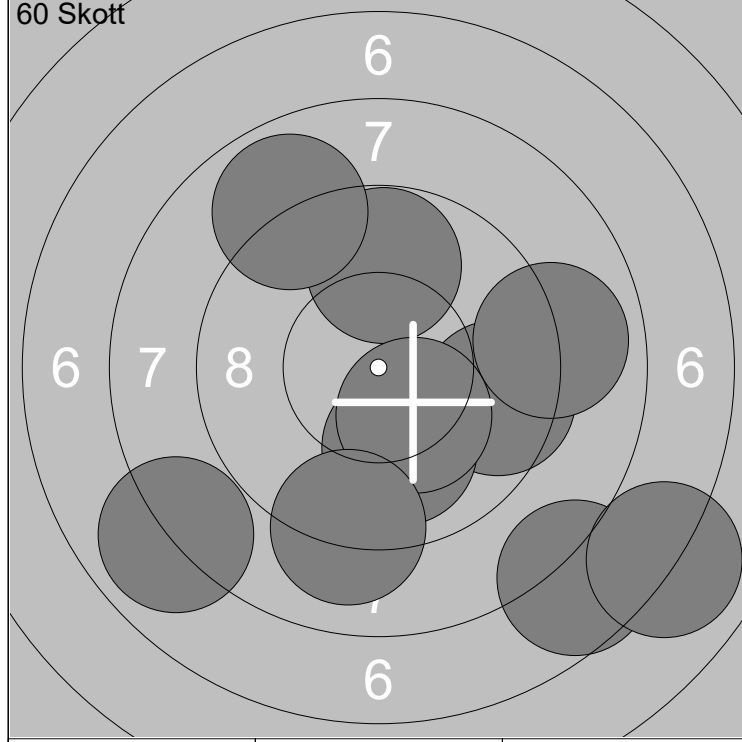
11: 6.7 →	16: 9.4 ↘	Serie	85.2
12: 9.0 ↓	17: 8.9 ↗		
13: 9.0 ↓	18: 7.0 →	Total	175.2
14: 9.5 ←	19: 9.5 ↖		
15: 7.6 ↑	20: 8.6 ↑		

21: 9.3 ↗	Serie	35.0
22: 9.6 ↖		
23: 8.1 ↖	Total	210.2
24: 8.0 ↗		



1: 8.6 →	6: 7.4 →				
2: 10.1 ↓	7: 10.2x ↗				
3: 8.2 →		Serie	62.6		
4: 7.6 ↓		Total	0.0		
5: 10.5x ↓					

1: 9.6 ↗	6: 9.2 ↓				
2: 7.1 →	7: 10.3x ←				
3: 9.2 ↖	8: 10.1 ↓	Serie	86.7		
4: 8.3 ←	9: 8.2 →	Total	86.7		
5: 7.2 ↘	10: 7.5 ←				



11: 9.8 ↑	16: 8.9 →				
12: 9.5 →	17: 8.9 ↗				
13: 7.6 ↓	18: 7.0 ↓	Serie	89.0		
14: 10.0 ↓	19: 10.3x ↓	Total	175.7		
15: 7.9 ↙	20: 9.1 ↓				

21: 10.2x ↓	22: 8.7 →				
23: 9.5 →	24: 10.6x ↖				
		Serie	39.0		
		Total	214.7		

Skjutlag

3

Tavla

28

Ida Lundmark

Ramselefors

Drängsmark

Vet

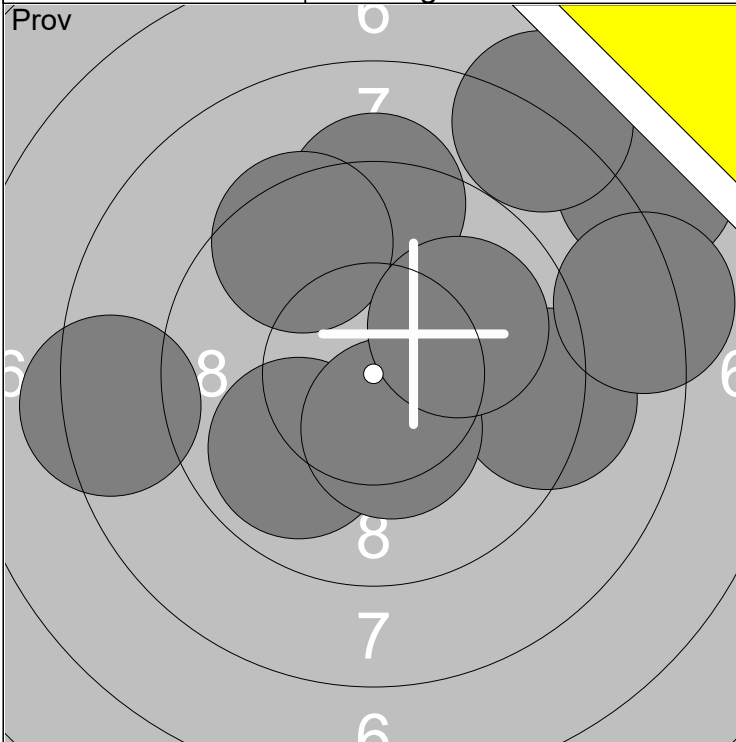
Vb

14.03.2026

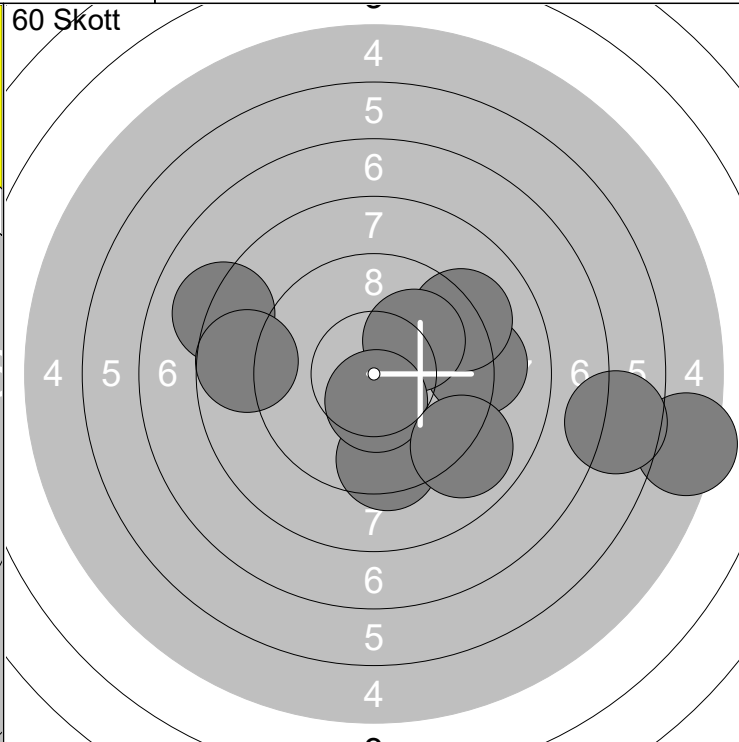
DM Luftgevär 2026

Ramselefors SKF

Prov



60 Skott



1: 7.6 ↗
2: 9.9 ↙
3: 8.3 ←
4: 9.2 →
5: 9.3 ↑

6: 8.2 →
7: 10.4x ↓
8: 7.9 ↗
9: 9.5 ↖
10: 10.0 ↗

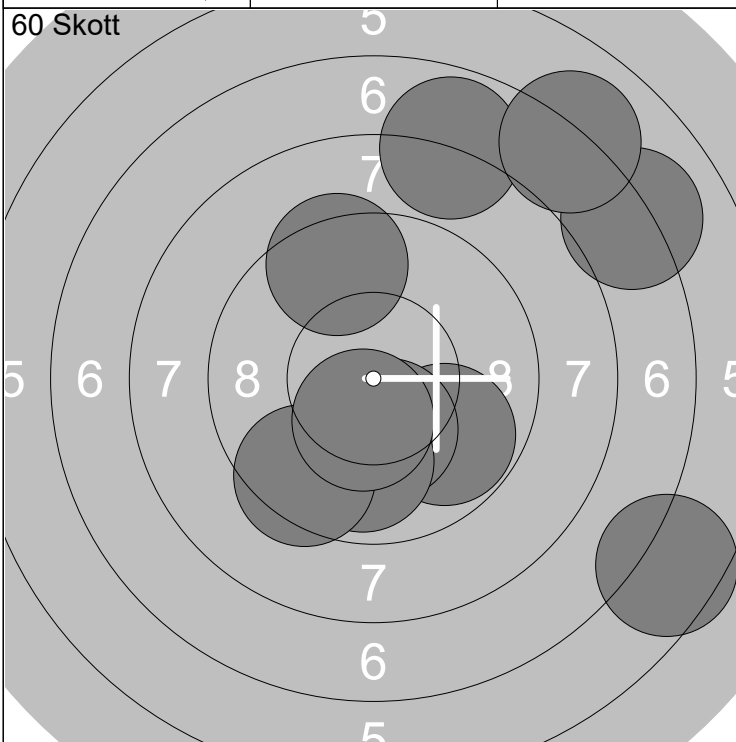
Serie 90.3
Total 0.0

1: 5.4 →
2: 8.1 ↖
3: 9.4 ↓
4: 8.7 ←
5: 9.2 →

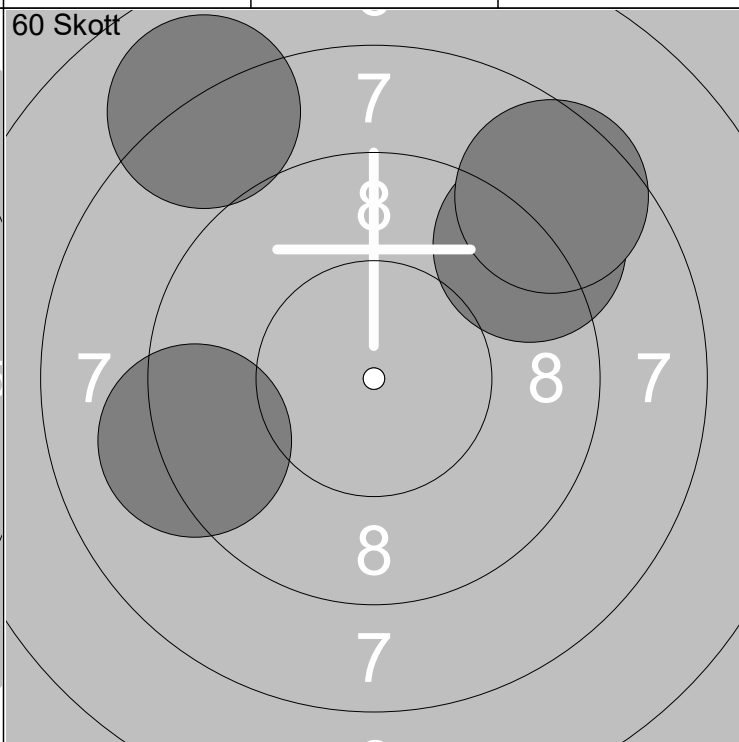
6: 9.2 ↗
7: 10.0 ↗
8: 10.5x ↓
9: 6.6 →
10: 9.0 ↓

Serie 86.1
Total 86.1

60 Skott



60 Skott



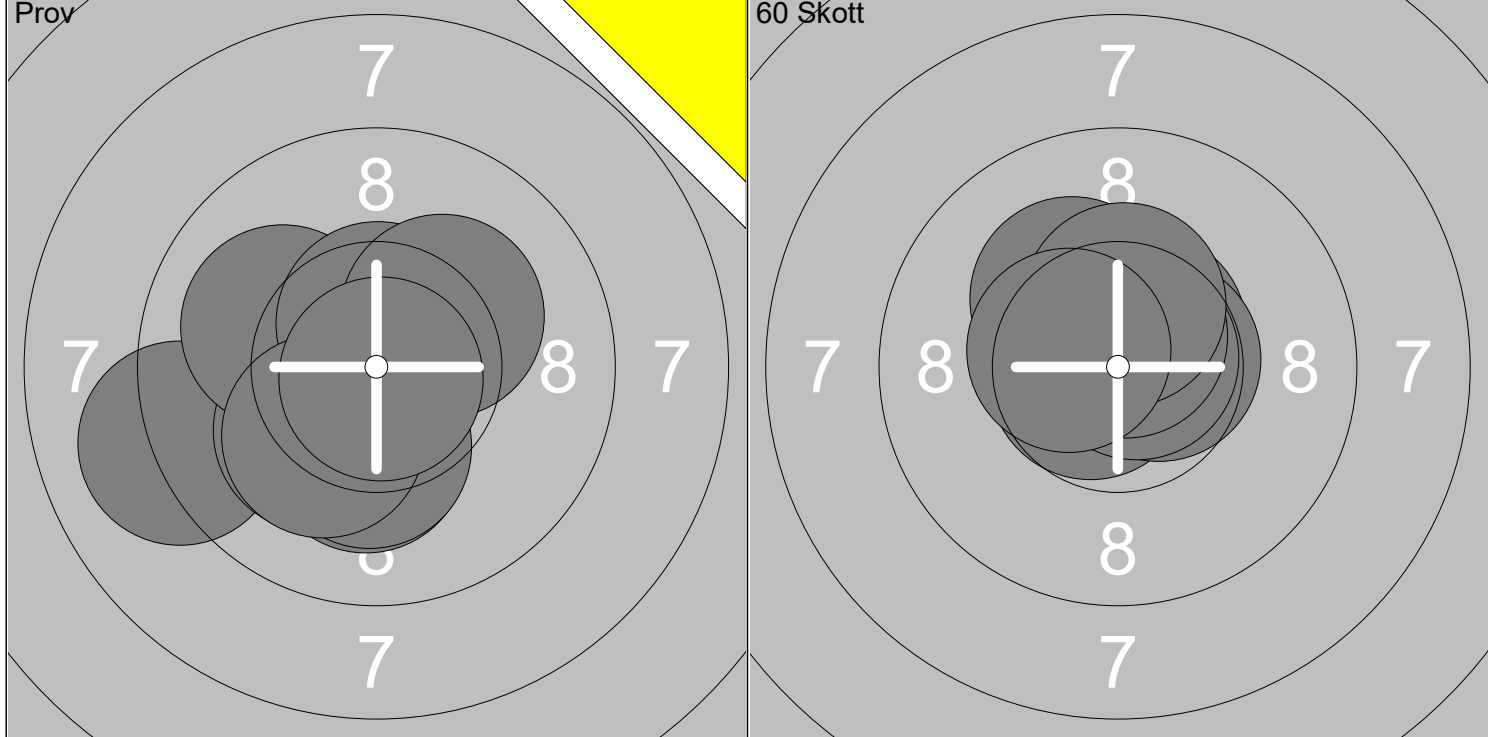
11: 6.5 ↘
12: 9.8 ↘
13: 7.9 ↑
14: 7.1 ↗
15: 7.0 ↗

16: 10.3x ↓
17: 9.4 ↖
18: 9.9 ↓
19: 9.4 ↘
20: 10.4x ↓

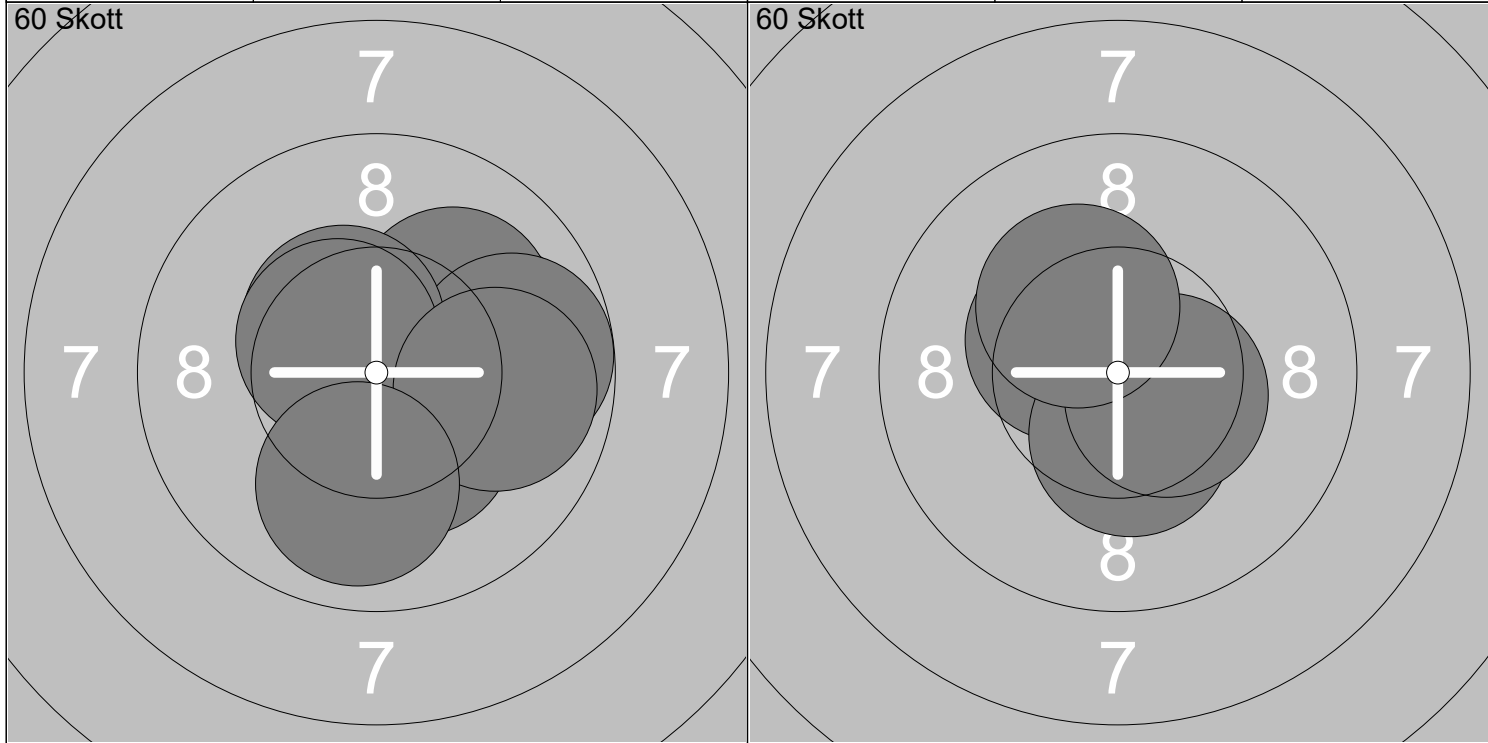
Serie 87.7
Total 173.8

21: 9.0 ↗
22: 9.2 ←
23: 8.6 ↗
24: 8.0 ↖

Serie 34.8
Total 208.6



1: 9.1 ←	6: 10.2x ↓	Serie	91.5	1: 10.6x ↖	6: 10.8x ↗	Serie	105.8
2: 10.2x ↙	7: 10.2x ↗			2: 10.7x ←	7: 10.7x ↑		
3: 10.0 ←	8: 10.2x ↙	Total	0.0	3: 10.6x ↗	8: 10.2x ↖	Total	105.8
4: 10.6x ↑	9: 10.8x ↓			4: 10.7x ↖	9: 10.4x ↑		
5: 10.2x ↓				5: 10.6x →	10: 10.5x ←		



11: 10.3x ↙	16: 9.8 →	Serie	102.3	21: 10.4x ↖	Serie	41.6
12: 10.8x ↗	17: 10.5x ↗			22: 10.4x ↓		
13: 9.9 →	18: 10.5x ↗	Total	208.1	23: 10.5x ↘	Total	249.7
14: 10.5x ↗	19: 9.9 →			24: 10.3x ↗		
15: 10.1 ↗	20: 10.0 ↓					